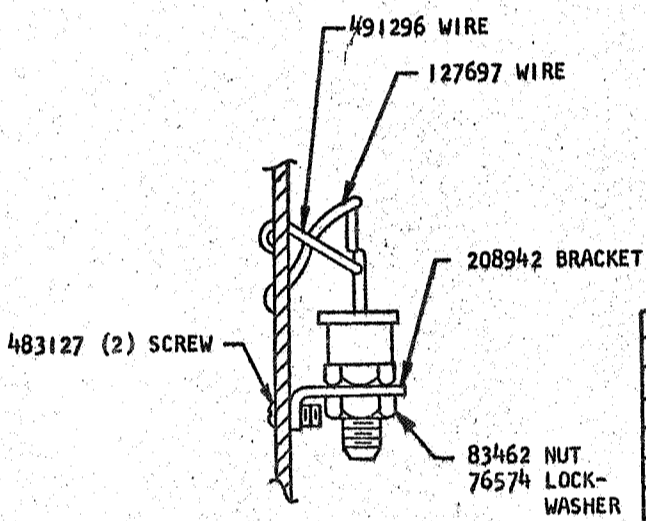
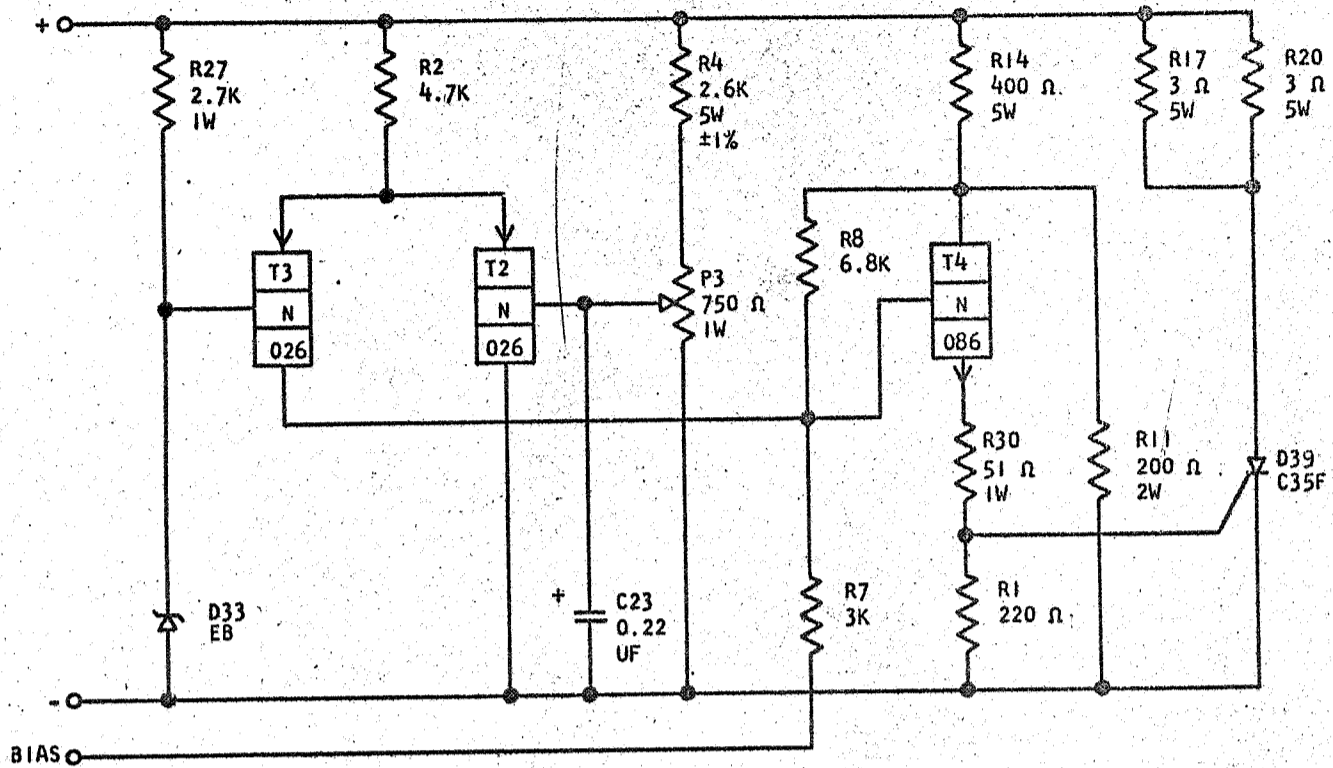


370578

OVERVOLTAGE PROTECTION 30 VOLT

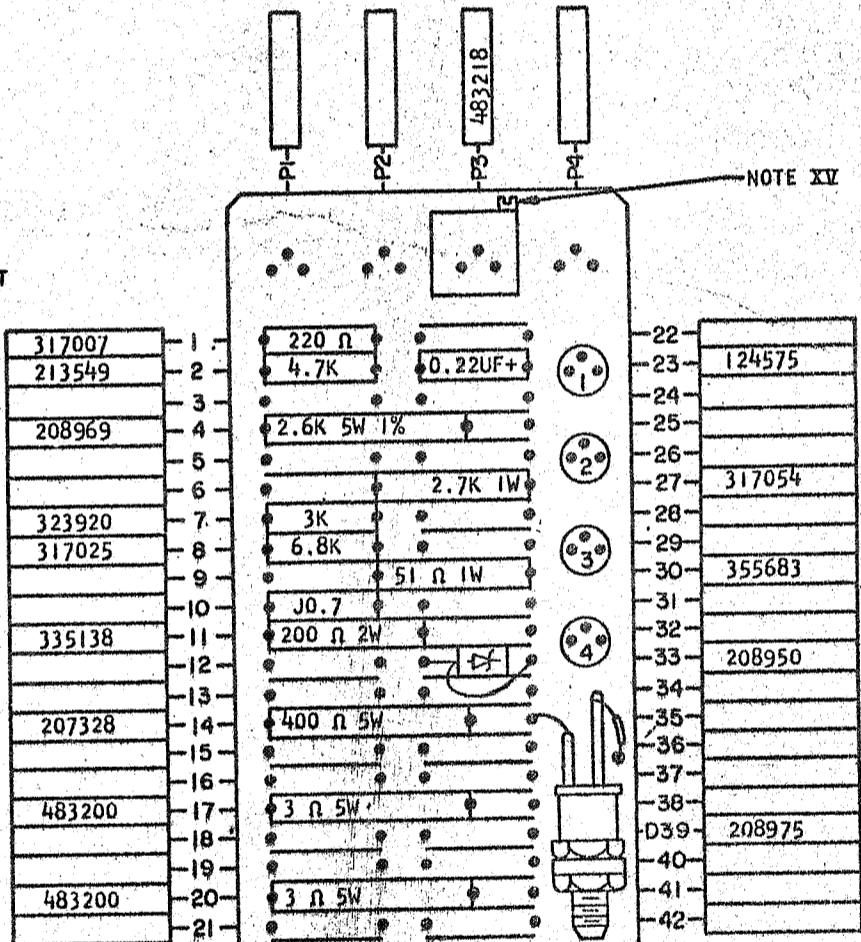
MOUNT CARD ON ONE INCH CENTERS NOTE XIV

370578
STANDARDS CODE
2-7045
Y G D -



NOTES

- X** CIRCUIT MUST CONFORM TO ENGINEERING SPECIFICATION 892578
- XI** ASSEMBLE TO ENGINEERING SPECIFICATION 895396 AND 891999
- XII** ALL RESISTORS ARE 1/2 WATT AND ±5% UNLESS OTHERWISE NOTED
- XIII** "J" IN BLOCK DENOTES BARE WIRE JUMPER, 4912 16
- XIV** MAXIMUM HEIGHT THAT COMPONENTS MAY PROJECT ABOVE THE SURFACE OF THE CARD WILL BE .850
- XV** EPOXY CEMENT 483002 TO BE APPLIED TO RESISTANCE TRIMMING SCREW AFTER A VOLTAGE SETTING OF 32.4^{+ .100}/_{-.000} VOLTS IS MADE
- ** **XVI** DIODE 208950 TO BE POSITIONED AS INDICATED
- ** **XVII** BEND DIODE LEAD NEAREST RED DOT BACK OVER DIODE BODY AS SHOWN
- XVIII** 483218 AND 208975 MUST NOT BE SUBJECTED TO ANY LIQUIDS



370578

DPD CIRCUIT & PACKAGING STANDARD	
APPROVAL	DATE
JHT	1-24-62
HOLE PATTERN	
493474	

INTERNATIONAL BUSINESS MACHINES CORP.	DATE	CHANGE NO.	APPROVAL	DATE	CHANGE NO.	APPROVAL	DEVELOPMENT NO.
NAME CARD ASM TSTR - OVER-		SEE INDEX CARD					88-2128
VOLTAGE PROTECTION 30 VOLT	8-30-62	113136					
DESIGN EDF 12-20-61	MODEL SMS						
DETAIL JH 12-29-61	SCALE NONE	9-25-62	113606	MISL			
CHECK EDF 11-5-62	DRAW VE 7-16-62						
APPROD 6W5921-62	CHECK						

T1	535441	026
T2	535441	026
T3	369087	086
T4		
T5		
T6		
T7		

COMPONENT SIDE

370578