

370818

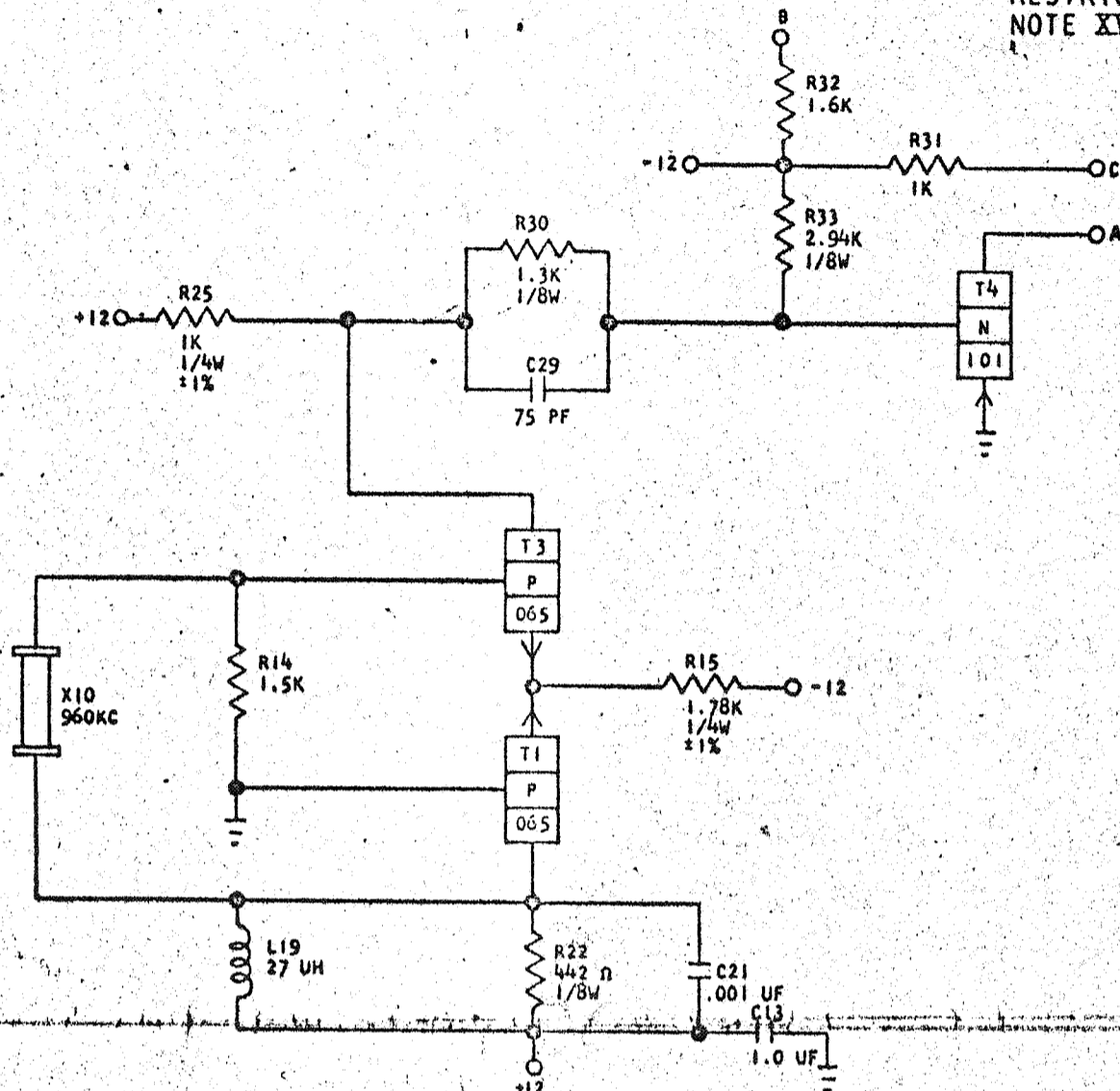
T F M -

STANDARDS CODE 2-7045

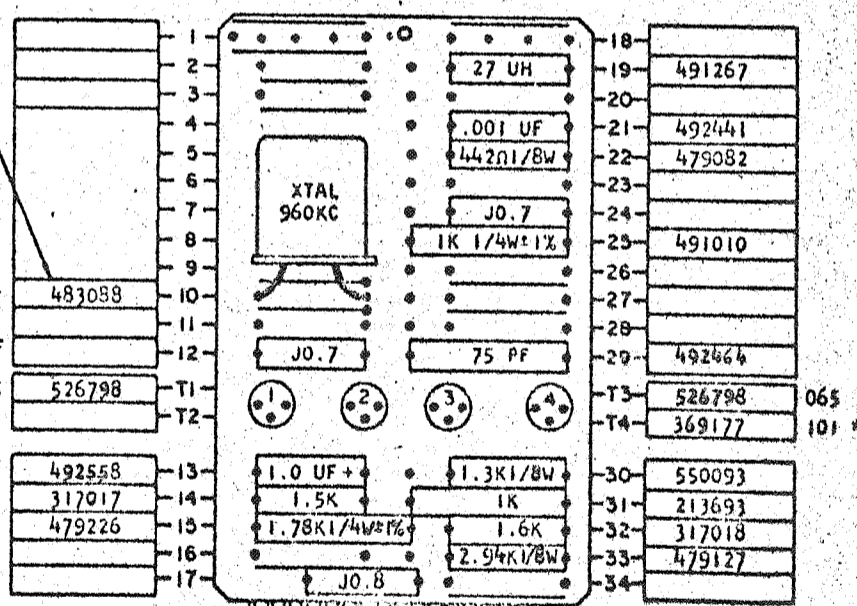
SDTDL-SDTRL-960KC CRYSTAL OSCILLATOR

370818

RESTRICTED NOTE XV



- NOTES
- I CIRCUIT MUST CONFORM TO ENGINEERING SPECIFICATION 892818
 - II ASSEMBLE TO ENGINEERING SPECIFICATION 893396 AND 891999
 - XII ALL RESISTORS ARE 1/2 WATT AND ±5% UNLESS OTHERWISE NOTED (AS NOTE XVI)
 - XIII "J" IN BLOCK DENOTES BARE WIRE JUMPER 491296
 - XIV APPLY FILLET OF EPOXY ADHESIVE (100601) * ALONG FULL LENGTH ON 2 SIDES TO BOND CRYSTAL TO CARD SURFACE, CURE AT 135°F ± 5°F FOR A MINIMUM OF 30 MIN.
 - * XV TECHNICAL LABORATORY EVALUATION INCOMPLETE. THIS PART SUBJECT TO WITHDRAWAL. ADDITIONAL USAGE TO BE AVOIDED.
 - XVI ALL 1/8 WATT RESISTORS ARE ±1%
 - XVII MOUNT TRANSISTOR 369177 WITH TRANSISTOR SPACER 483070
 - XVIII PART NUMBER 483088 MUST NOT BE SUBJECTED TO ANY LIQUIDS.



B

CIRCUIT AND PACKAGING STANDARD		HOLE PATTERN	
APPROVAL	DATE	491329	
KMT	9-20-61		
INTERNATIONAL BUSINESS MACHINES CORP.		DATE	CHANGE NO.
NAME CARD ASM TSTR-SDTDL-SDTRL-960KC CRYSTAL OSCILLATOR		10-18-61	112735
DESIGN	RCB 9-15-61	MODEL	SMS 1401
DETAIL	TPA 9-19-61	SCALE	NONE
CHECK	3 10-2-61	DRAW	MDE 10-2-61
APPRO	10-19-61	CHECK	3777 10-2-61
		APPROVAL	NOTE XV
		DEVELOPMENT NO.	2547-1682
			370818

82-3977-1 6-22-61

370818