

370825

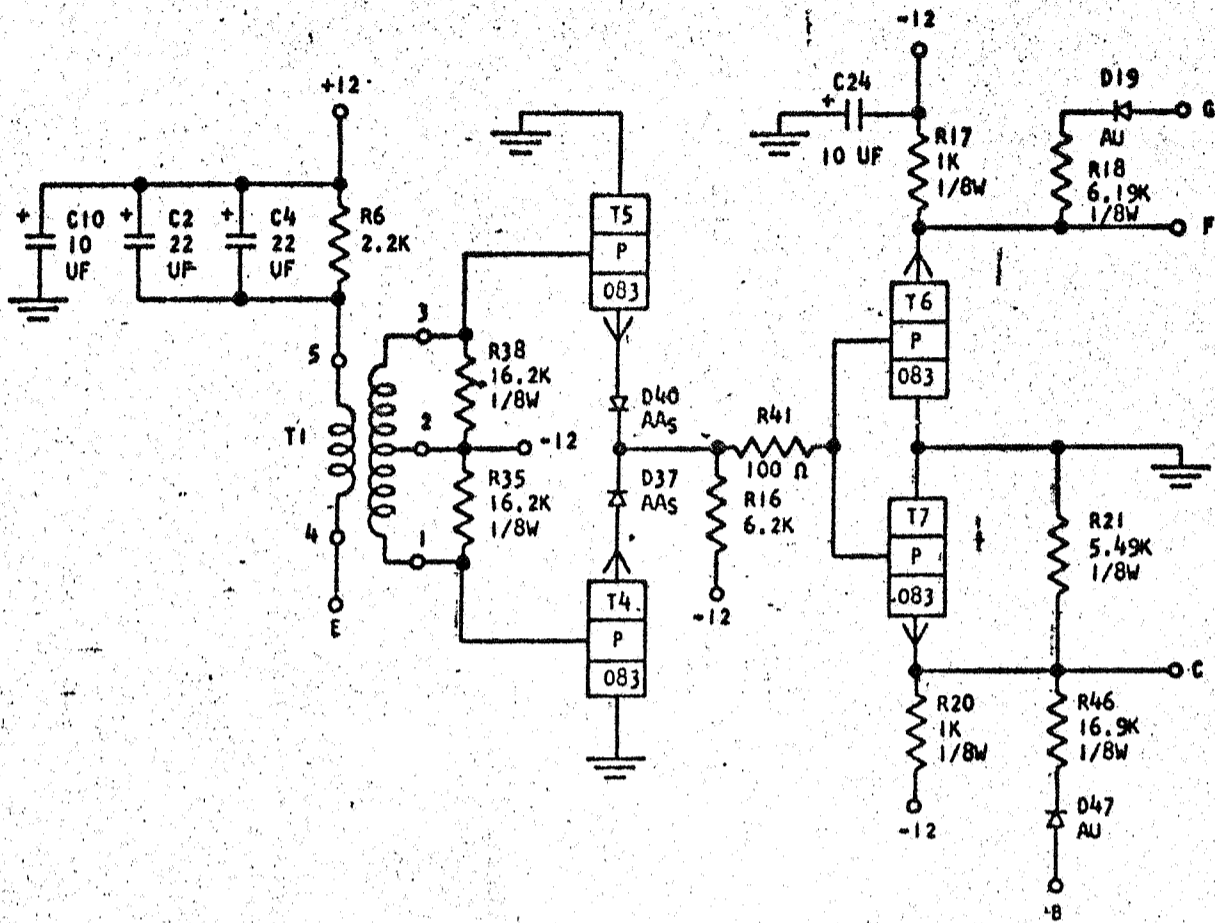
Y J G

STANDARDS CODE

2-7045

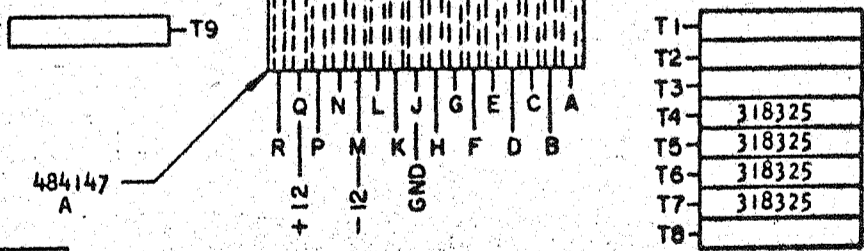
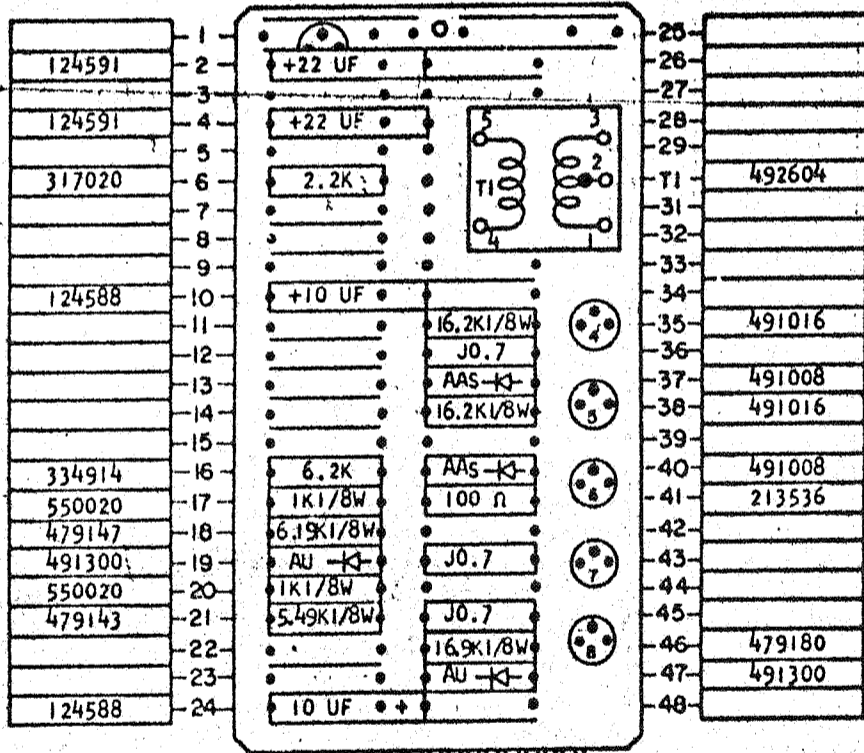
**SENSE AMPLIFIER-RECTIFIER AND CLIPPER #2**  
MOUNT CARD ON ONE AND ONE HALF INCH CENTERS NOTE XIV

370825



**NOTES**

- X** CIRCUIT MUST CONFORM TO ENGINEERING SPECIFICATION 892825
- XI** ASSEMBLE TO ENGINEERING SPECIFICATION 895396 AND 891999
- XII** ALL RESISTORS ARE 1/2 WATT AND  $\pm 5\%$  UNLESS OTHERWISE NOTED (AS NOTE XIV)
- XIII** "J" IN BLOCK DENOTES BARE WIRE JUMPER 491296
- XIV** MAXIMUM HEIGHT COMPONENT MAY PROJECT ABOVE THE SURFACE OF THE CARD WILL BE .870
- XV** ALL 1/8 WATT RESISTORS ARE  $\pm 1\%$



**B**

CIRCUIT AND PACKAGING STANDARD		HOLE PATTERN		APPROVAL		DEVELOPMENT NO.	
APPROVAL		DATE		DATE		CHANGE NO.	
KMT		9-29-61		493457		370825	
INTERNATIONAL BUSINESS MACHINES CORP.		DATE	CHANGE NO.	APPROVAL	DATE	CHANGE NO.	APPROVAL
NAME CARD ASM TSTR - SENSE		10-18-61	112750	JWB			
AMPLIFIER-RECTIFIER AND CLIPPER #2		4-18-62	113921	LHR			2547-1723
DESIGN	RMB 9-27-61	MODEL	SMS 1401				
DETAIL	RMB 9-27-61	SCALE	NONE				
CHECK	GRD 9-28-61	DRAW	VE 10-12-61				
APPRO	WJR 9-28-61	CHECK	10-12-61				

82-3987-2 6-22-61

370825