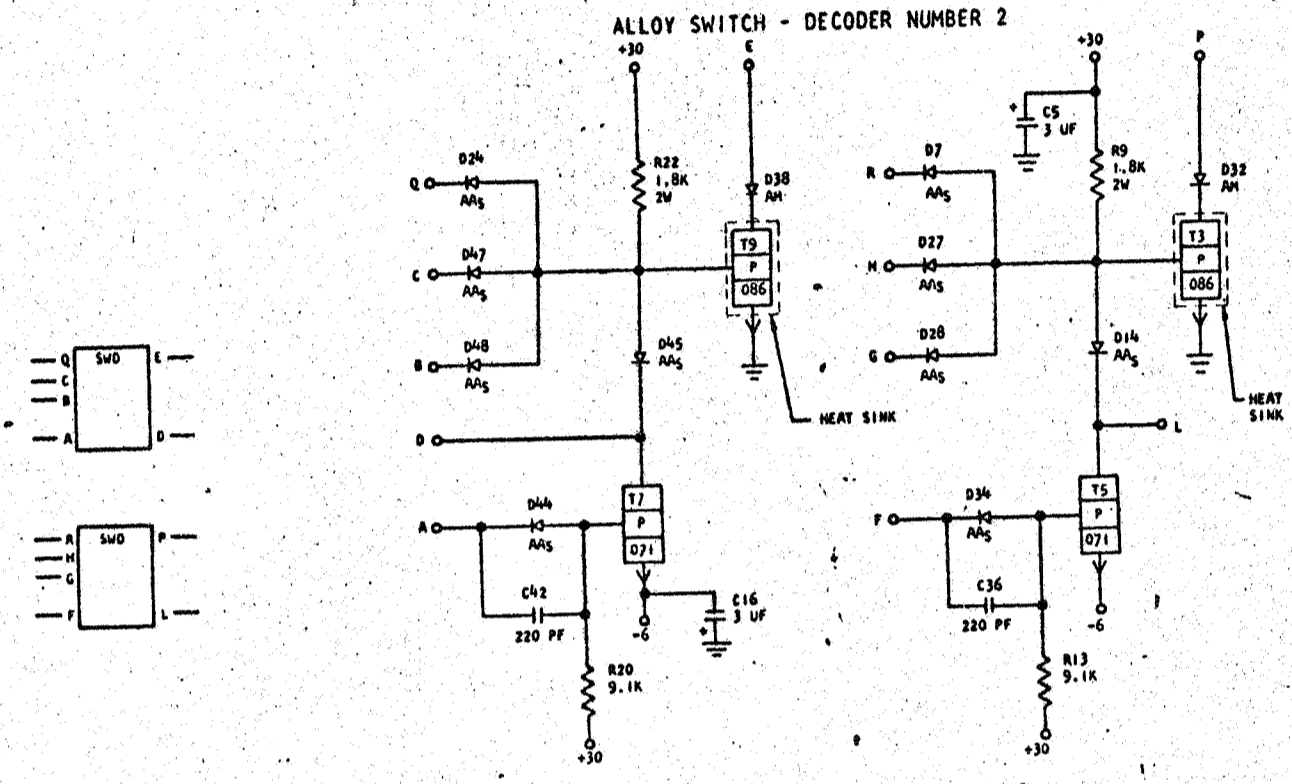


729809
STANDARD CODE

729809
A Q U -

REFERENCE DRAWING
SEE PRODUCTION DRAWING 370833

ALLOY SWITCH - DECODER NUMBER 2

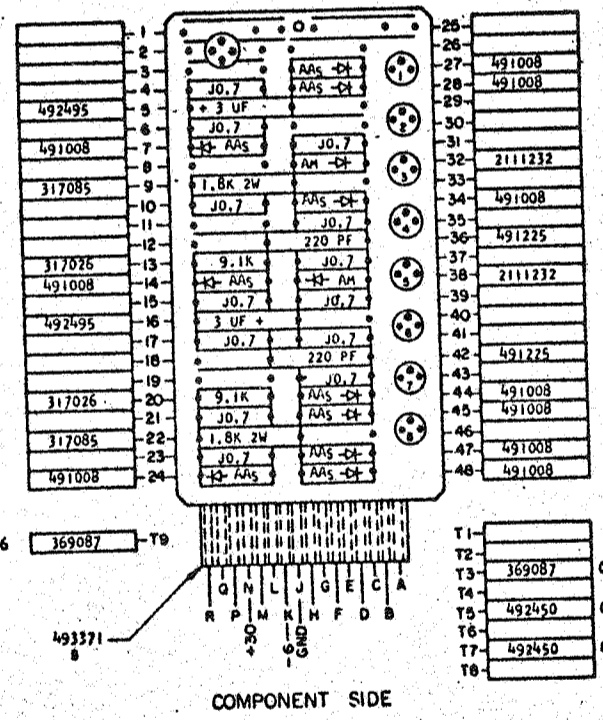


SEQUENCE OF OPERATION

- UP INPUTS TO T9, DOWN INPUT T7, T9 ON, T7 OFF
MAX. CURRENT FLOWS IN T9
- UP INPUTS TO T9, UP INPUT T7, T9 OFF T7 ON MIN
CURRENT FLOWS IN T9
- T5, T3 CONDITIONED BY SAME SEQUENCE
- WHEN IN OFF CONDITION, OUTPUT ON T9 AND T3 WILL
REFLECT THE VOLTAGES INDUCED FROM COM'S.

PINS	SIGNAL NAME	WAVE SHAPE	LEVELS	
			MIN	MAX
A, F	U	INPUT	UP	-4.66 0.24
			DOWN	-6.84 -12.5
Q, R	T	INPUT	UP	1.74 14.76
			DOWN	-5.46 -6.24
C, H	T	INPUT	UP	1.74 14.76
			DOWN	-5.46 -6.24
B, G	T	INPUT	UP	1.74 14.76
			DOWN	-5.46 -6.24
D, L	T	OUTPUT	UP	1.74 14.76
			DOWN	-5.46 -6.24
E, P	Z	OUTPUT	UP	0.74 0.24
			DOWN	-1.14 -9.76

DELAY - USEC	MINIMUM	MAXIMUM
TURN ON	----	0.36
TURN OFF	----	0.45



COMPONENT SIDE

CIRCUIT AND PACKAGING STANDARDS	
APPROVAL	DATE
ABC	4-2-62

INTERNATIONAL BUSINESS MACHINES CORP.		DATE	CHANGE NO.	APPROVAL	DATE	CHANGE NO.	APPROVAL	DEVELOPMENT NO.
NAME CARD ASM TSTR - ALLOY		6-29-62	F15599					
SWITCH, DECODER NUMBER 2		11-18-62	EC114735					
DESIGN	WJ	MODEL	SMS					
DETAIL	RQ	SCALE	NONE					
CHECK	WJ	DATE	11-17-62					
APPRO		CHECK						

729809

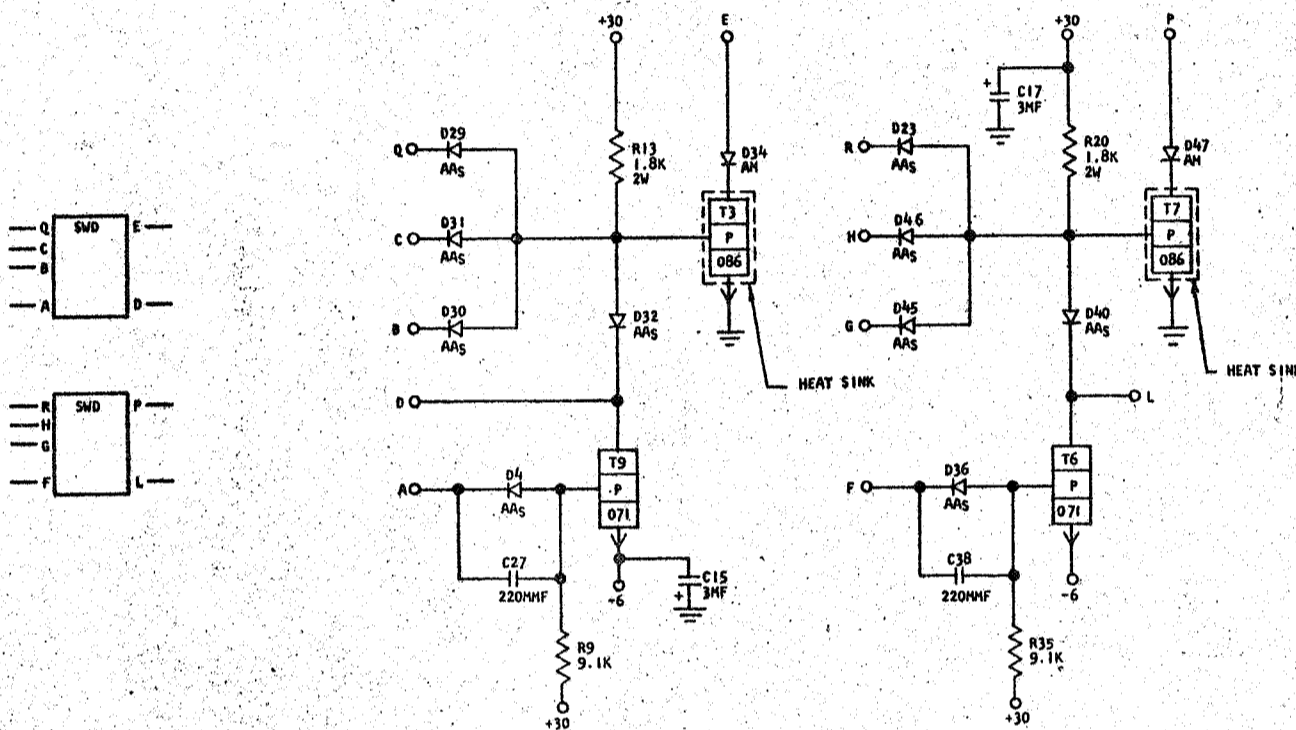
729809

STANDARDS CODE

CARD CODE 729809
A Q U -

REFERENCE DRAWING
SEE PRODUCTION DRAWING 370833

ALLOY SWITCH, DECODER NUMBER 2

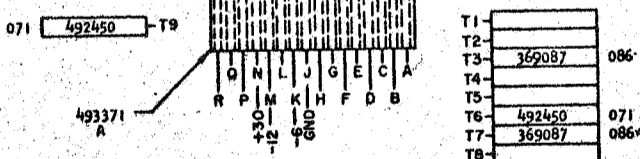
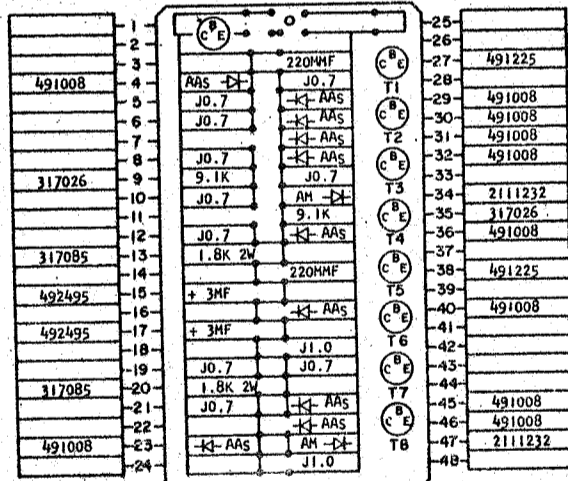


SEQUENCE OF OPERATION

1. UP INPUTS TO T3, DOWN INPUT T9, T3 ON, T9 OFF
MAX. CURRENT FLOWS IN T3
2. UP INPUTS TO T3, UP INPUT T9, T3 OFF T9 ON MIN
CURRENT FLOWS IN T3
3. T6, T7 CONDITIONED BY SAME SEQUENCE
4. WHEN IN OFF CONDITION, OUTPUT ON T3 AND T7 WILL
REFLECT THE VOLTAGES INDUCED FROM CORES.

PINS	SIGNAL NAME	WAVE SHAPE	LEVELS	
			MIN	MAX
A, F U	INPUT		UP -4.56	0.24
Q, R T	INPUT		UP 1.74	14.76
C, H T	INPUT		DOWN -5.46	-6.24
B, G T	INPUT		UP 1.74	14.76
D, L T	OUTPUT		UP 1.74	14.76
E, P Z	OUTPUT		UP 0.74	0.24
T3 T7	INPUT		DOWN -1.14	-9.76

DELAY - USEC	MINIMUM	MAXIMUM
TURN ON	----	0.36
TURN OFF	----	0.45



COMPONENT SIDE

CIRCUIT AND PACKAGING STANDARD	
APPROVAL	DATE
ABC	4-2-62

INTERNATIONAL BUSINESS MACHINES CORP.				DATE	CHANGE NO.	APPROVAL	DATE	CHANGE NO.	APPROVAL	DEVELOPMENT NO.
NAME CARD ASM TSTR-ALLOY SWITCH				6-27-62	115599					729809
DECODER NUMBER 2										
DESIGN	RD	3-1-62	SCALE	NONE						
CHECK	WH	3-1-62	DRAWN	LIG	3-17-62					
APPRO			CHECK							

729809