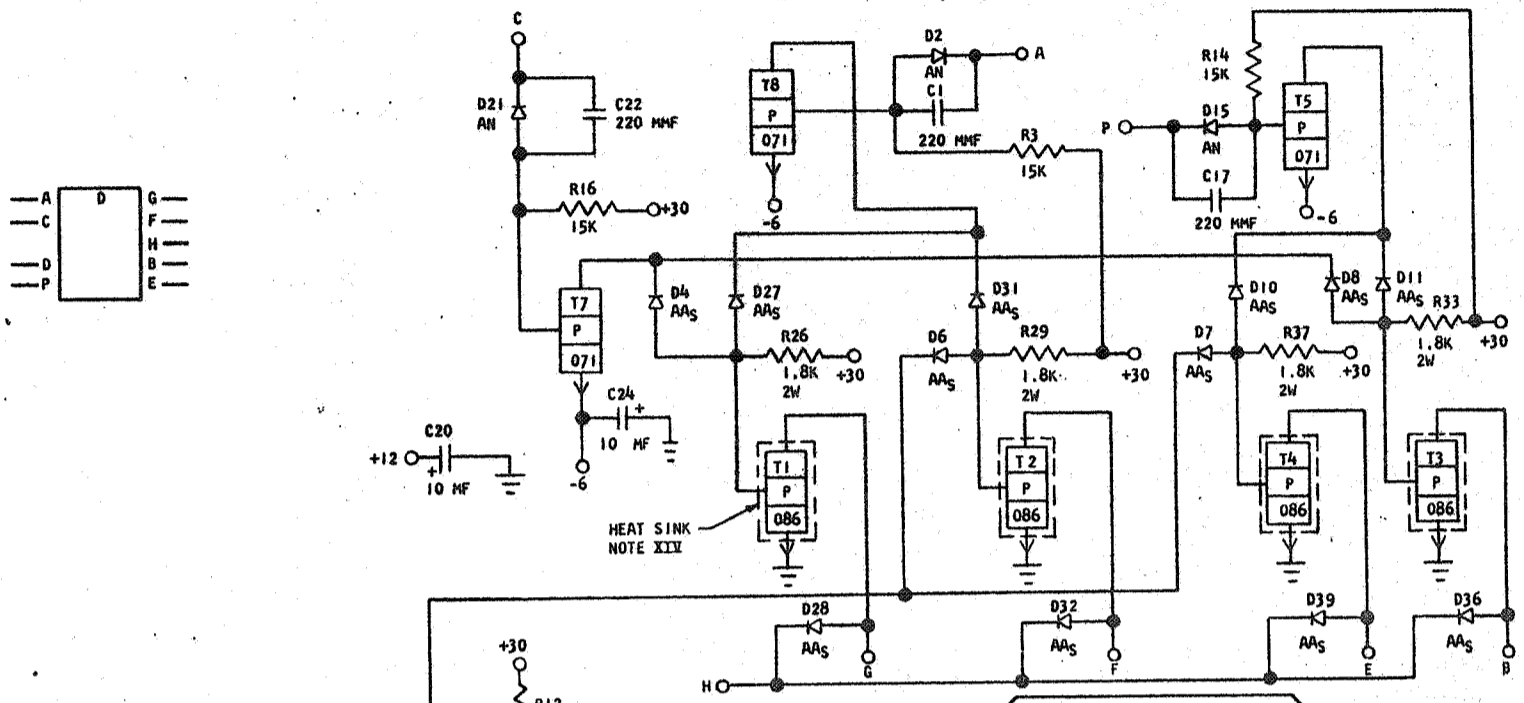


STANDARDS CODE
729810

CARD CODE 729810
A Q V -

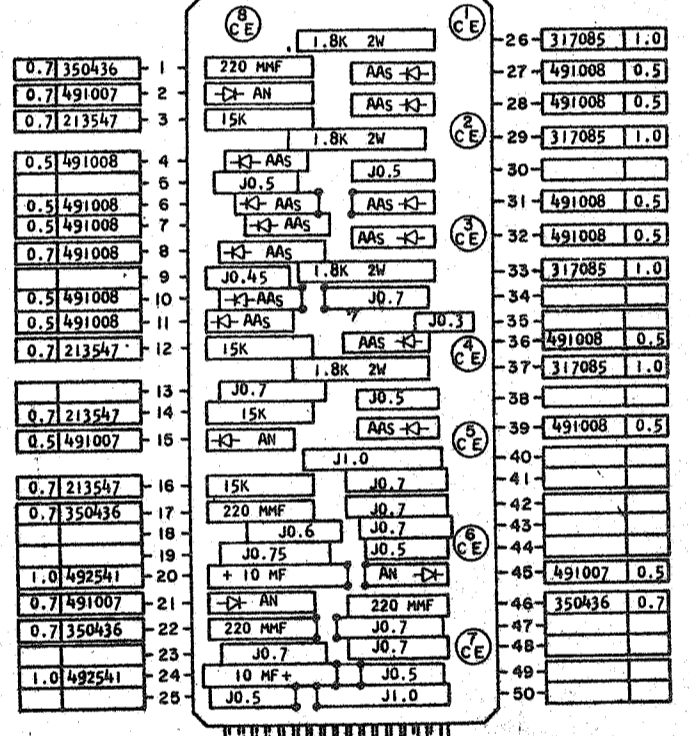
REFERENCE DRAWING
SEE PRODUCTION DRAWING 370834

ALLOY-DRIVER, Z, 12 VOLTS



- SEQUENCE OF OPERATION**
- PIN H TIED TO Q (+12)
 - WAVE SHAPE A T8, T5, T6, ON; T1, T2, T3, T4, T7 OFF
 - DOWN INPUT AT A, T8 OFF T1 ON, OUTPUT AT G DOWN
 - T7, T8 OFF, INPUT AT T1, +3. TO 4. VOLTS
 - DELAYS FROM INPUT TO OUTPUT, MEASURED FROM -6 VOLT LEVEL ON INPUT TO +6 VOLT LEVEL ON OUTPUT.
TURN ON 0.9 USEC MAX
TURN OFF 0.35 USEC MAX

PINS	SIGNAL NAME	WAVE SHAPE	LEVELS	
			MIN	MAX
A	U INPUT	[Waveform]	UP -4.66	0.24
P	U INPUT	[Waveform]	DOWN -7.44	-12.5
C	U INPUT	[Waveform]	UP -4.66	0.24
D	U INPUT	[Waveform]	DOWN -7.44	-12.5
G	U OUTPUT	[Waveform]	UP +12	+12
F	U OUTPUT	[Waveform]	DOWN -0.74	+0.24
B	U OUTPUT	[Waveform]	UP +12	+12
E	U OUTPUT	[Waveform]	DOWN -0.74	+0.24



071 492450 T8
493373 B
T1 369087 086*
T2 369087 086*
T3 369087 086*
T4 369087 086*
T5 492450 071
T6 492450 071
T7 492450 071

COMPONENT SIDE

CIRCUIT AND PACKAGING STANDARD	
APPROVAL	DATE
ABC	4-2-62

INTERNATIONAL BUSINESS MACHINES CORP.				DATE	CHANGE NO.	APPROVAL	DATE	CHANGE NO.	APPROVAL	DEVELOPMENT NO.
NAME CARD ASM YSTR - ALLOY-DRIVER, Z, 12 VOLTS				4-27-62	115599					729810
DESIGN	RQ	3-1-62	SCALE	SMS						
CHECK	WH	3-1-62	DRAWN	LIG	3-17-62					
APPRO			CHECK							

C

