

729812

STANDARDS CODE

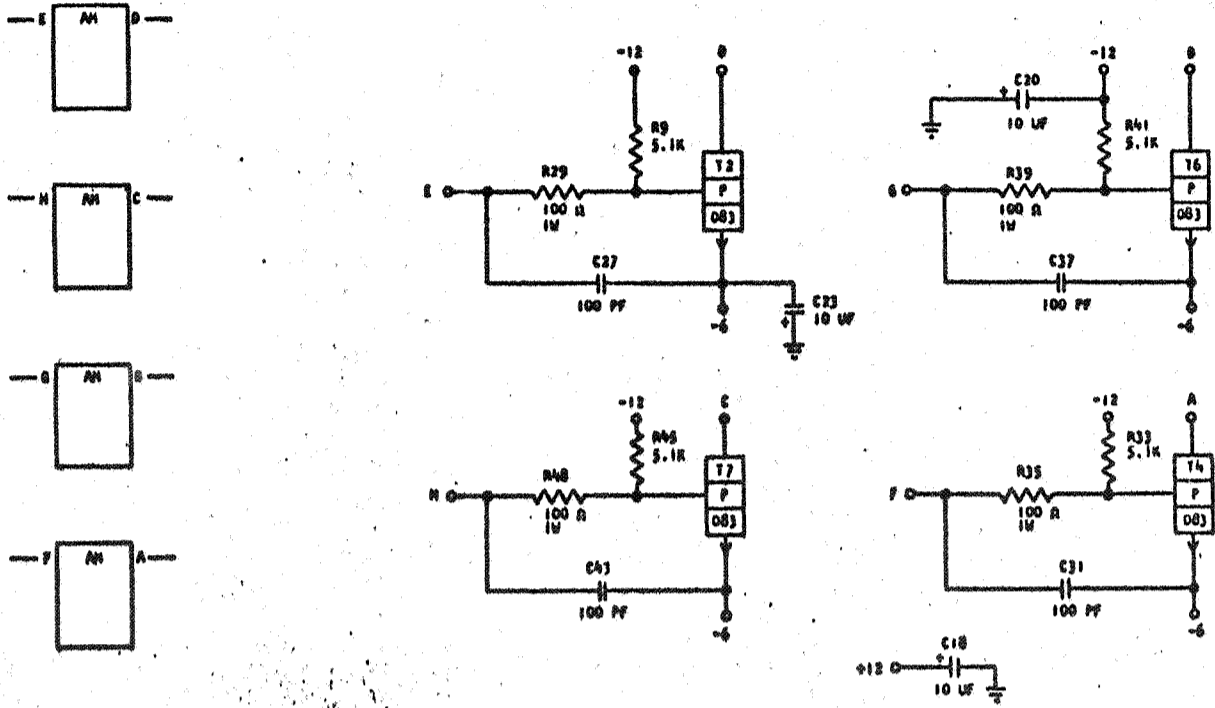
CARD CODE 729812

A Q X -

REFERENCE DRAWING

SEE PRODUCTION DRAWING 370836

SENSE - FINAL AMPLIFIER

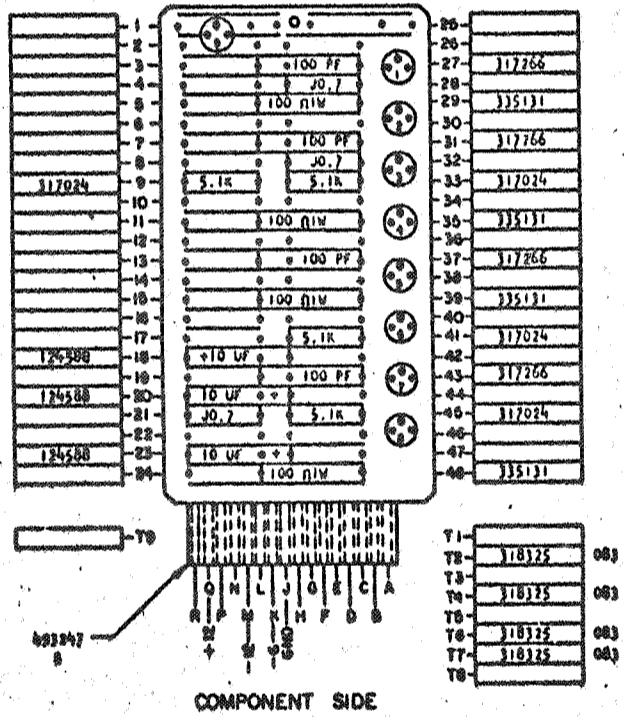


SEQUENCE OF OPERATION

1. INPUT UP, TRANSISTOR ON, OUTPUT DOWN. THIS CIRCUIT PROVIDES A -T LINE FROM A +U LINE INPUT. THE OFF OUTPUT VOLTAGE DEPENDS ON LOAD DRIVEN
2. DELAY - USEC

	MINIMUM	MAXIMUM
TURN ON	0.05	0.18
TURN OFF	0.44	3.00

PINS	SIGNAL NAME	WAVE SHAPE	LEVELS	
			MIN	MAX
E, H, G, F	U	INPUT	UP	+5.2
			DOWN	-11.52
D, C, B, A	-T	OUTPUT	UP	-5.46
			DOWN	-6.24



CIRCUIT AND PACKAGING STANDARD	
APPROVAL	DATE
ABC	4-2-62

INTERNATIONAL BUSINESS MACHINES CORP.				DATE	CHANGE NO.	APPROVAL	DATE	CHANGE NO.	APPROVAL	DEVELOPMENT NO.
NAME	CARD ASM TSTR - SENSE	DATE	4-7-62	CHANGE NO.	115522	APPROVAL		DATE		DEVELOPMENT NO.
DESIGN	MODEL	SCALE								
DETAIL	RQ 3-1-62	SCALE	NONE							
CHECK	WH 3-1-62	DRAW	LIR 3-1-62							
APPRO		CHECK								

729812

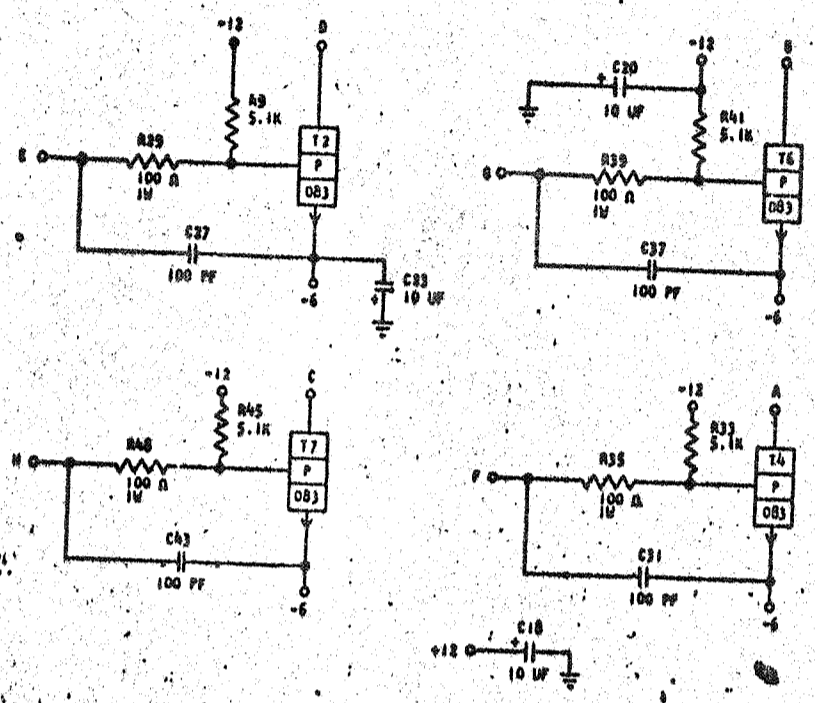
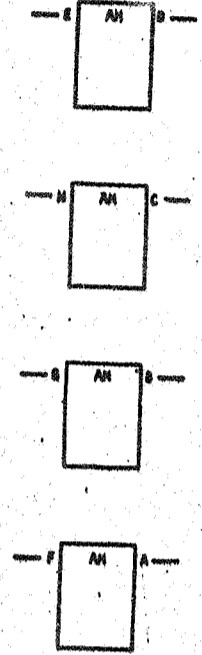
729812
STANDARD
CDBL

729812
A Q X -

REFERENCE DRAWING

SEE PRODUCTION DRAWING 370836

SENSE - FINAL AMPLIFIER

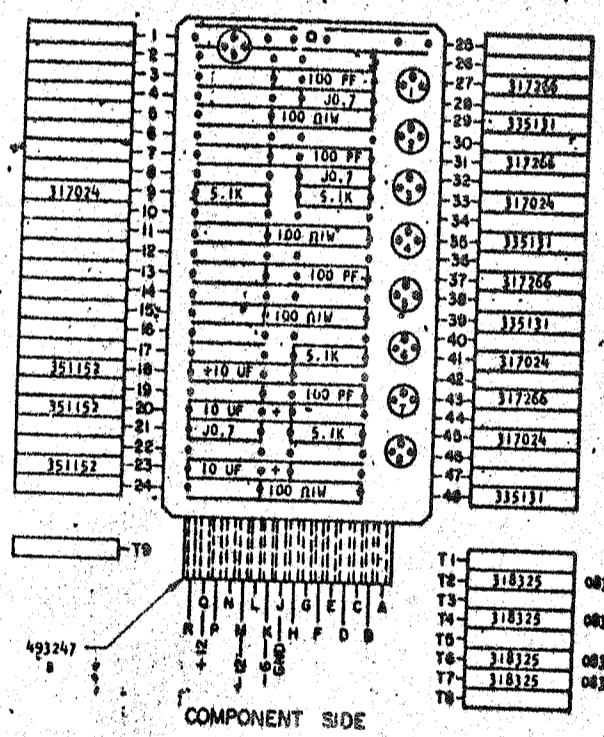


SEQUENCE OF OPERATION

- INPUT UP, TRANSISTOR ON, OUTPUT DOWN. THIS CIRCUIT PROVIDES A -T LINE FROM A +U LINE INPUT. THE OFF OUTPUT VOLTAGE DEPENDS ON LOAD DRIVEN.
- DELAY - USEC

TURN ON	MINIMUM	MAXIMUM
TURN OFF	0.09	0.19
	0.44	2.00

PINS	SIGNAL NAME	WAVE SHAPE	LEVELS		
			MIN	MAX	
E, H, G, F	U INPUT		UP	-5.2	+2.4
B, C, B, A	-T OUTPUT		DOWN	-11.65	-12.48
			UP	-5.46	-6.24
			DOWN		



CIRCUIT AND PACKAGING STANDARD	
APPROVAL	DATE
ABC	4-2-62

INTERNATIONAL BUSINESS MACHINES CORP.		DATE	CHANGE NO.	APPROVAL	DATE	CHANGE NO.	APPROVAL	DEVELOPMENT NO.
NAME	CARD ASM TSTR - SENSE	4-29-62	1					
DESIGN	FINAL AMPLIFIER	1-3-63	EC 116034					
DETAIL	RQ 3-7-62	SCALE	NONE	60-4-63	JT B3687			
CHECK	VM 3-1-62	DRAW	AIG B-12-63					
APPRO		CHECK						

729812