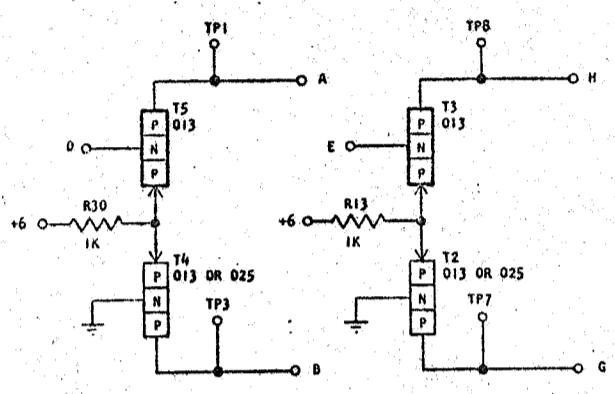
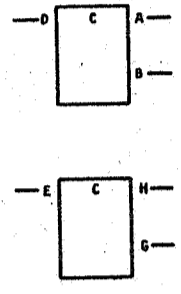


729808
STANDARD CODE

CARD CODE 729808
AM. --

REFERENCE DRAWING
SEE PRODUCTION DRAWING 371203

ALLOY-ONE WAY "N" BLOCK



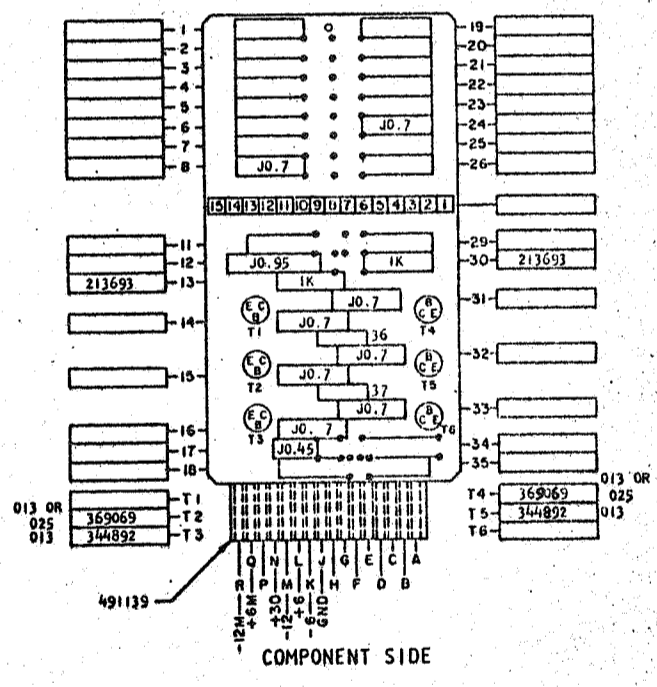
- SEQUENCE OF OPERATION
1. INPUT DOWN T5, T3 ON; T4, T2 OFF
 2. INPUT UP T5, T3 OFF; T4, T2 ON
 3. IN & OUT OF PHASE OUTPUTS AVAILABLE
 4. COLLECTORS TIED TO COUPLING NETWORK

PINS	SIGNAL NAME	WAVE SHAPE	LEVELS	
			MIN	MAX
D, E	N INPUT		UP +0.4	3.0
			DOWN -0.4	-3.0
A, H	F OUTPUT		UP -5.6	-3.0
			DOWN -6.4	-7.1
B, G	F OUTPUT		UP -5.6	-3.5
			DOWN -6.4	-7.1

DELAY - USEC

	MINIMUM	MAXIMUM
TURN ON	.17	.35
TURN OFF	.17	.35

NOTE: THE DELAYS WERE MEASURED AS THE TIME INTERVAL FROM THE CROSSING OF THE INPUT REFERENCE BY THE INPUT SIGNAL TO THE CROSSING OF THE OUTPUT REFERENCE BY THE OUTPUT SIGNAL.



CIRCUIT AND PACKAGING STANDARD

APPROVAL	DATE
ABC	4-2-62

INTERNATIONAL BUSINESS MACHINES CORP.	DATE	CHANGE NO.	APPROVAL	DATE	CHANGE NO.	APPROVAL	DEVELOPMENT NO.
NAME CARD ASM TSTR-ALLOY-ONE WAY "N" BLOCK	6-2-62	115599					729808
DESIGN BQ	3-1-62	SCALE	SMS				
DETAIL BQ	3-1-62	SCALE	NONE				
CHECK MH	3-1-62	DRAW	LIG 13-17-62				
APPRO		CHECK					

729808