

729848

STANDARDS CODE

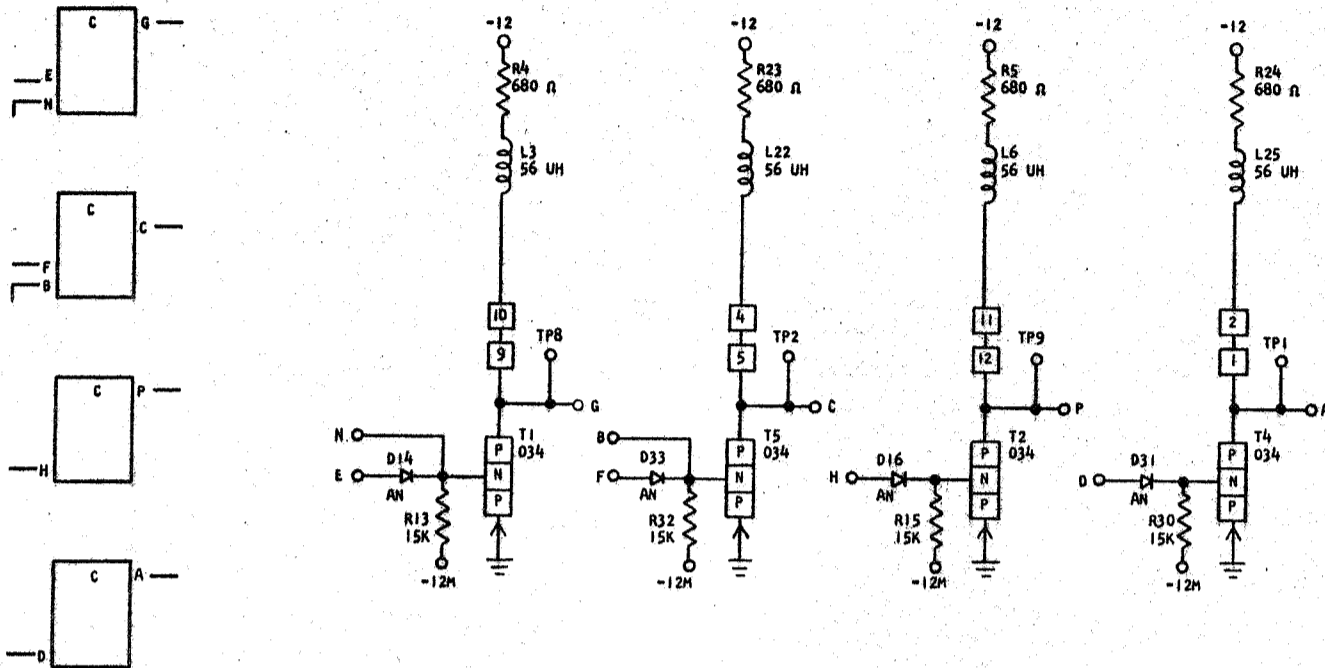
CARD CODE

729848

CQ ZV

**REFERENCE DRAWING**  
SEE PRODUCTION DRAWING 371271

**CTDL - ONE WAY PNP 4 LOADS  
FOUR ON CARD**



**SEQUENCE OF OPERATION**

1. DOWN INPUT TRANSISTOR ON OUTPUT UP
2. UP INPUT TRANSISTOR OFF OUTPUT DOWN
3. INPUTS ON EXTENDER CARD DOWN IN COINCIDENCE WITH DOWN INPUT ON CARD FOR UP OUTPUT
4. LOGIC BLOCKS MAY HAVE SYMBOLS OTHER THAN SHOWN

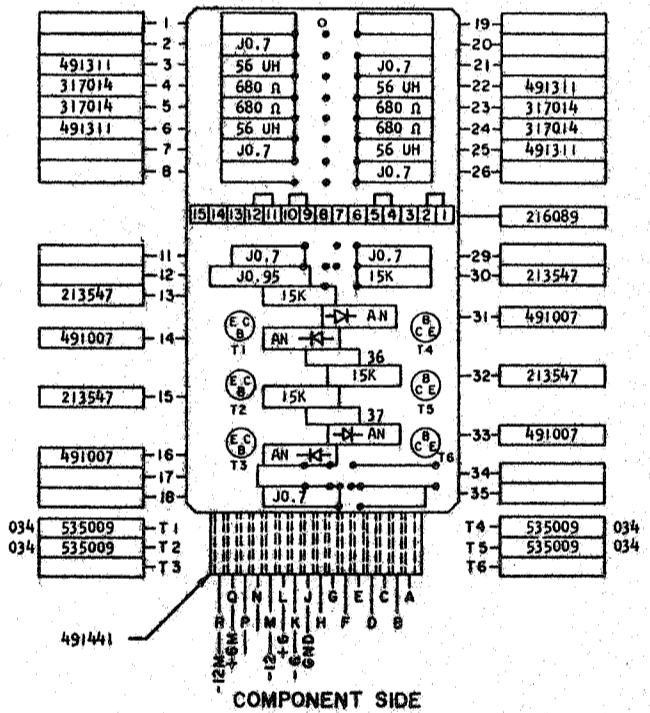
PINS	SIGNAL NAME	WAVE SHAPE	LEVELS		
			MIN	MAX	
E, F, H, D	T	INPUT	UP	1.44	6.24
			DOWN	-0.74	-6.24
N, B	EXTENDER INPUT	INPUT	UP	+6	
			DOWN	0.0	
G, C, P, A	U	OUTPUT	UP	-0.54	0.24
			DOWN	-7.44	-12.5

DELAY - USEC

	MINIMUM	MAXIMUM
TURN ON	0.10	0.80
TURN OFF	0.05	0.80*

\*THIS DELAY CAN OCCUR ONLY ON HEAVILY LOADED BLOCKS.

NOTE: THE ABOVE RANGES OF DELAYS ARE REPRESENTATIVE. SPECIFIC CIRCUIT APPLICATION AND/OR WIRING CAPACITANCE MAY RESULT IN DELAYS WHICH ARE OUT OF THE GIVEN RANGES. IN SUCH CASES, CARD REPLACEMENT SHOULD INDICATE IF THE CIRCUIT IS OUT OF SPECIFICATIONS. EXAMPLE: LOGIC BLOCK DRIVING EF "OR".



CIRCUIT AND PACKAGING STANDARD	
APPROVAL	DATE
ABC	4-2-62

INTERNATIONAL BUSINESS MACHINES CORP.				DATE	CHANGE NO.	APPROVAL	DATE	CHANGE NO.	APPROVAL	DEVELOPMENT NO.
NAME TWIN CARD ASM - CTDL-ONE				4-2-62	115599					729848
WAY PNP 4 LBS-FOUR ON CARD										
DESIGN	RQ	3-1-62	SCALE	NONE						
CHECK	WH	3-1-62	DRAW	LIG	3-17-62					
APPRO			CHECK							