

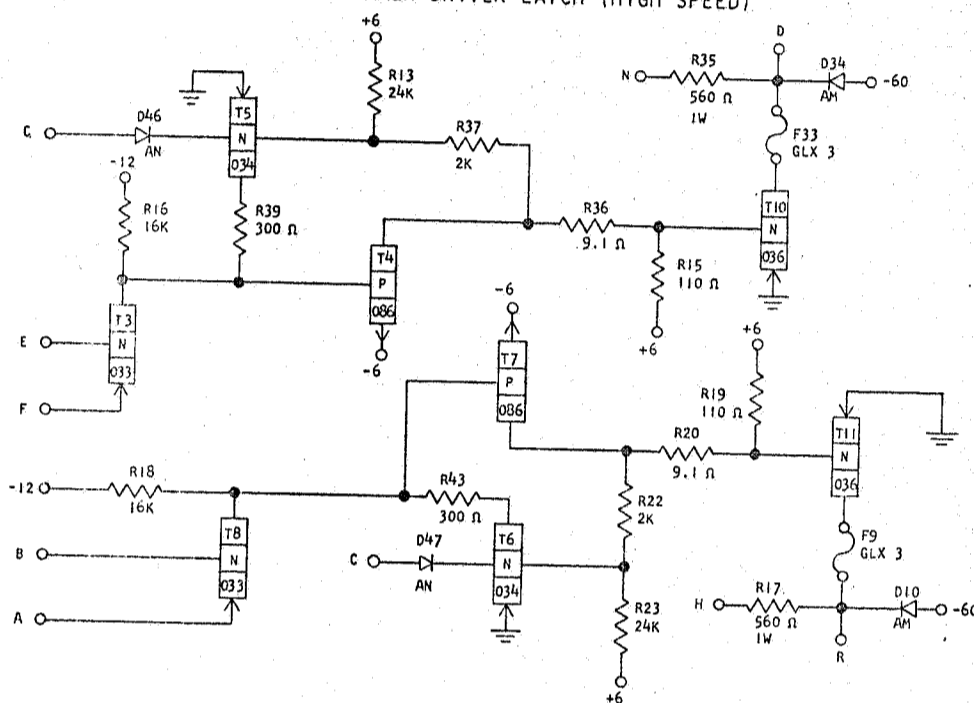
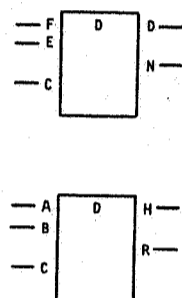
STANDARDS CODE  
729805

CARD CODE 729805  
A E N -

REFERENCE DRAWING

SEE PRODUCTION DRAWING 371415

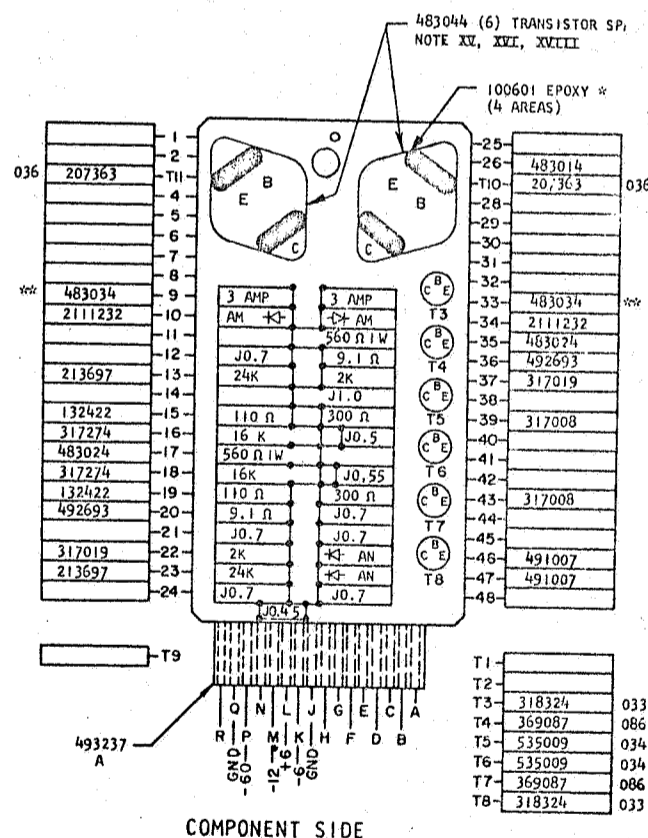
ALLOY HAMMER DRIVER LATCH (HIGH SPEED)



SEQUENCE OF OPERATION

1. WHEN INPUTS AT E (GATE) AND F (SET) ARE IN COINCIDENCE T3 TURNS ON
2. WITH T3 ON, T4 TURNS ON, T5 TURNS ON, AND LATCHES T4
3. T10 TURNS ON, THE OUTPUT IS GROUND
4. WHEN C (RESET) IS UP, T5 TURNS OFF, T4 TURNS OFF, T10 TURNS OFF AND THE OUTPUT IS -60V

PINS	SIGNAL NAME	WAVE SHAPE	LEVELS	
			MIN	MAX
F, A	T SET	[Square Wave]	UP -3.91	-71
E, B	N GATE	[Square Wave]	UP 5.71	6.24
C	T RESET	[Square Wave]	UP 1.44	6.24
N, H	HAMMER CHECK DRIVE	[Square Wave]	UP	
R, D	V OUTPUT	[Square Wave]	UP -2.5	0
			DOWN -54	-60



COMPONENT SIDE

CIRCUIT AND PACKAGING STANDARD	
APPROVAL	DATE
ABC	4-2-62

INTERNATIONAL BUSINESS MACHINES CORP.	DATE	CHANGE NO.	APPROVAL	DATE	CHANGE NO.	APPROVAL	DEVELOPMENT NO.
NAME CARD ASM TSTR - ALLOY HAMMER DRIVER LATCH (HIGH SPEED)	6-7-62	115599					729805
DESIGN RQ 3-1-62 MODEL SMS							
DETAIL WH 3-1-62 SCALE NONE							
CHECK WH 3-1-62 DRAW LIG 3-17-62							
APPRO							