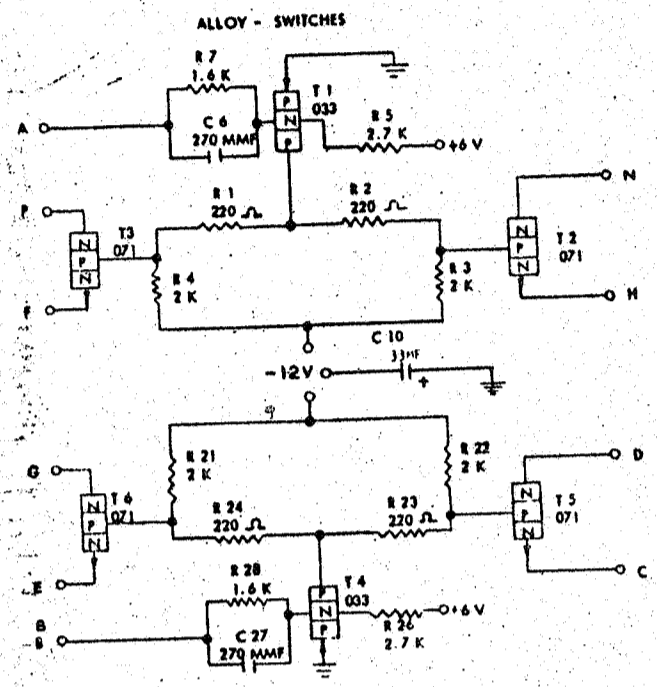
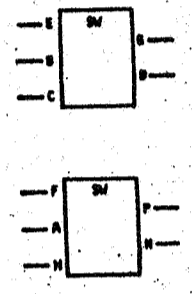


729861

STANDARD CODE

CARD CODE 729861
FW --

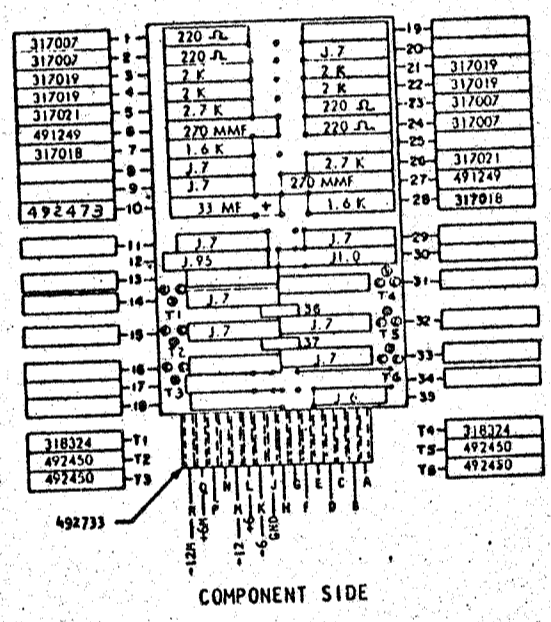
REFERENCE DRAWING
SEE PRODUCTION DRAWING 371490



SEQUENCE OF OPERATION

- COLLECTORS OF T3, T2, T6, T5 ARE TIED TO +6 THRU A TERMINATING RESISTOR CARD AND THEIR EMITTERS ARE TIED TO CURRENT DRIVER SOURCE CARD THRU WINDINGS IN CORE ARRAY.
- A DOWN INPUT AT A WILL TURN T1 ON AND T3 OR T2 DEPENDING ON WHICH TRANSISTOR IS SUPPLIED EMITTER CURRENT FROM CURRENT DRIVER CARD.

PINS	SIGNAL NAME	WAVE SHAPE	LEVELS	
			MIN	MAX
A, D	INPUT		UP: -2	DOWN: -12



CIRCUIT AND PACKAGING STANDARD	
APPROVAL	DATE
ABC	4-2-62

INTERNATIONAL BUSINESS MACHINES CORP.		DATE	CHANGE NO.	APPROVAL	DATE	CHANGE NO.	APPROVAL	DEVELOPMENT NO.
NAME: CARD ASH TSTR - ALLOY - SWITCHES		4-9-62	CL15599					
		3-4-63	TT83687					
DESIGN	RD	3-1-62	SCALE	NONE				
CHECK	UN	3-1-62	DRAW	LIG D-17-62				
APPRO			CHECK					

729861