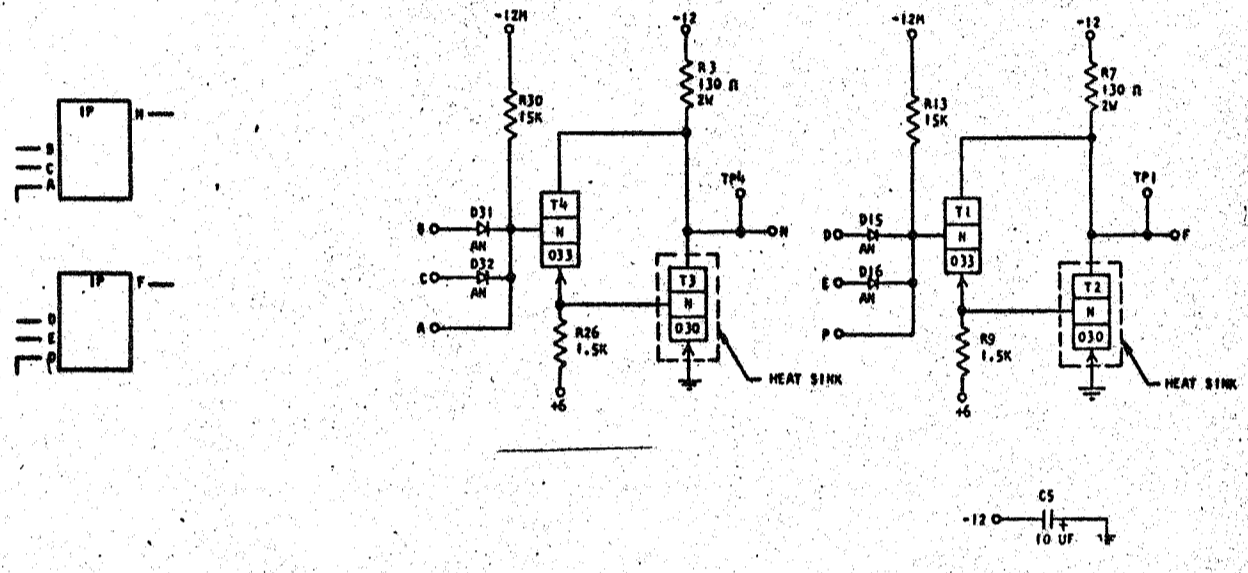


STANDARD CODE
729854

CARD CODE 729854
CY --

REFERENCE DRAWING
SEE PRODUCTION DRAWING 371542

CTDL POWER INVERTER



SEQUENCE OF OPERATION

1. ALL INPUTS DOWN T4, T1 ON; T3, T2 OFF OUTPUT UP
2. ANY INPUTS UP T4, T1, OFF; T3, T2 ON OUTPUT DOWN
3. DOWN INPUT OF AT LEAST 1 U SEC REQUIRED TO TURN T4 OR T1 ON
4. EXTENDER INPUTS MUST BE DOWN IN COINCIDENCE WITH INPUTS ON CARD FOR UP OUTPUT

PINS	SIGNAL NAME	WAVE SHAPE	LEVELS		
			MIN	MAX	
D, B	T	INPUT	UP	1.44	6.24
			DOWN	-5.46	-6.24
C, E	T	INPUT	UP	1.44	6.24
			DOWN	-5.46	-6.24
A, P	EXTENDER INPUT	WAVE SHAPE	UP	-6	
			DOWN	-12	
N, F	U	OUTPUT	UP	-5.2	0.8
			DOWN	-7.4	-9.2

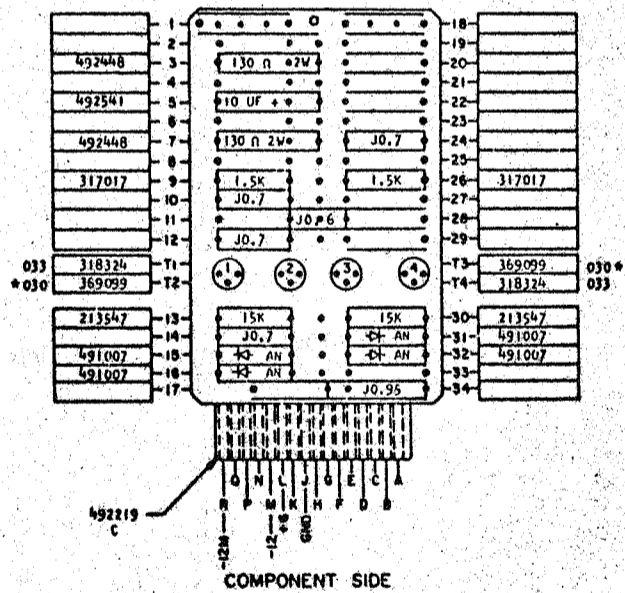
DELAY - USEC

	MINIMUM	MAXIMUM
TURN ON	0.20	0.60**
TURN OFF	0.25	0.40**

**THIS DELAY CAN INCREASE TO 0.75 USEC FOR CAPACITIVE LOAD.

**THIS DELAY CAN INCREASE TO 0.55 USEC FOR CAPACITIVE LOAD.

NOTE: LOGIC BLOCKS MAY HAVE SYMBOLS OTHER THAN SHOWN.



CIRCUIT AND PACKAGING STANDARD	
APPROVAL	DATE
ABC	4-2-62

INTERNATIONAL BUSINESS MACHINES CORP.	DATE	CHANGE NO.	APPROVAL	DATE	CHANGE NO.	APPROVAL	DEVELOPMENT NO.
NAME CARD ASM TESTR - CTDL POWER INVERTER	6-27-62	EC 115599					
	30.4.63	77 83687					
DESIGN	NO	3-1-62	SCALE	NONE			
CHECK	WH	3-1-62	DRAW	L16 3-17-62			
APPROV			CHECK				

729854