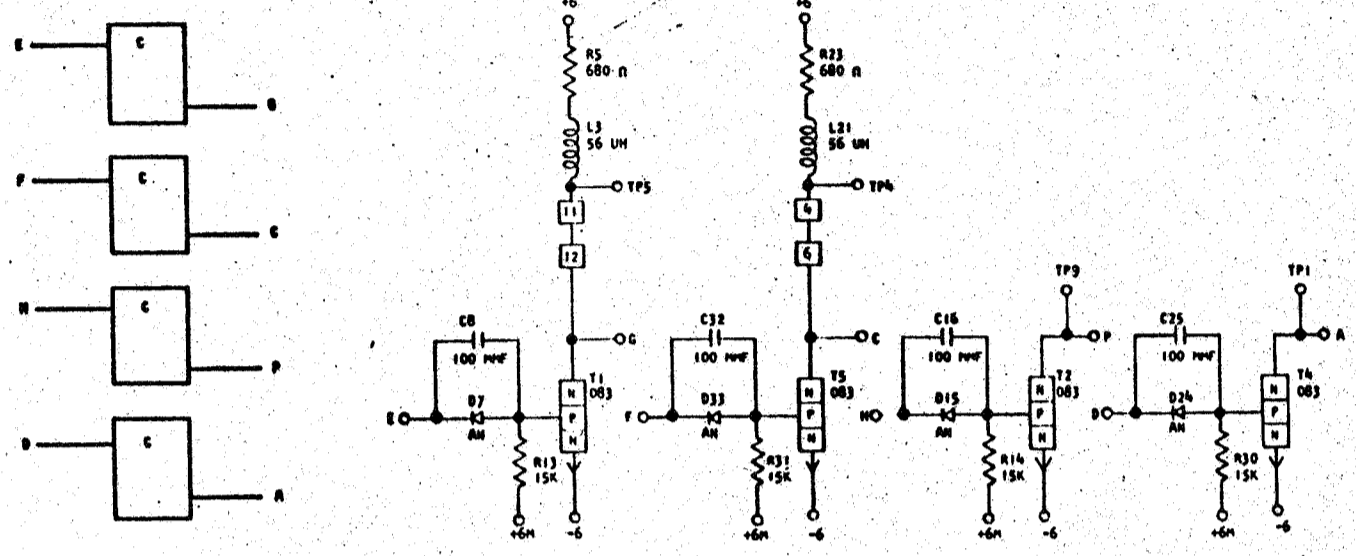


729877  
STANDARD CODE

CARD CODE 729877  
JJ VN

REFERENCE DRAWING  
SEE PRODUCTION DRAWING 371588

CTDL HIGH SPEED ONE WAY NPN TWO LOADS

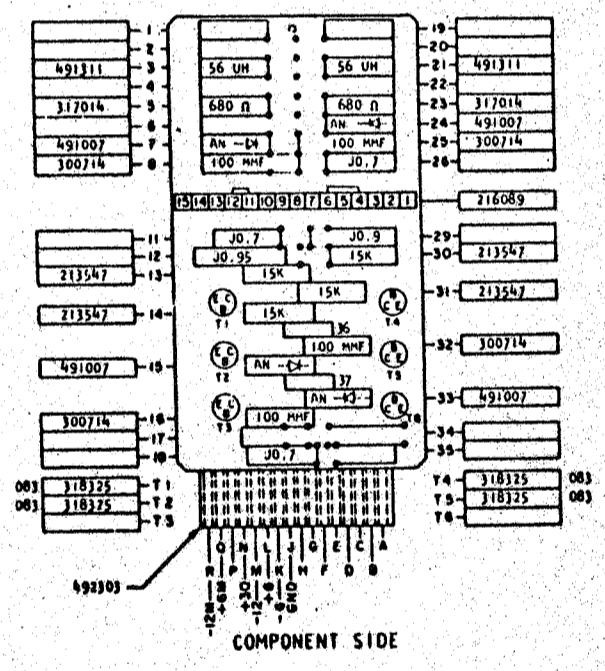


- SEQUENCE OF OPERATION
1. IF THE INPUT IS UP, THE TRANSISTOR IS ON, THE OUTPUT IS DOWN
  2. IF THE INPUT IS DOWN, THE TRANSISTOR IS OFF, THE OUTPUT IS UP
  3. PINS P & A MUST BE TIED TO COLLECTOR LOAD
  4. LOGIC BLOCKS MAY HAVE SYMBOLS OTHER THAN SHOWN

PINS	SIGNAL NAME	WAVE SHAPE	LEVELS		
			MIN	MAX	
E, F, H, D	INPUT		UP DOWN	-5.26 -7.44	+2.24 -12.48
C, P, A	OUTPUT		UP DOWN	+1.44 -5.46	+6.24 -6.24

DELAY - USEC

TUNE ON	MINIMUM	MAXIMUM
TUNE ON	0.19	0.20
TUNE OFF	0	0.30



CIRCUIT AND PACKAGING STANDARDS

APPROVAL	DATE
ABC	4-2-62

INTERNATIONAL BUSINESS MACHINES CORP.	DATE	CHANGE NO.	APPROVAL	DATE	CHANGE NO.	APPROVAL	DEVELOPMENT NO.
NAME CARD ASM YSTR-CTDL HIGH SPEED ONE WAY NPN TWO LOADS	2-7-62	EC 115599					729877
DESIGN	3-1-62	3783687					
DETAIL	3-1-62						
CHECK	3-1-62						
APPRO	3-17-62						

C