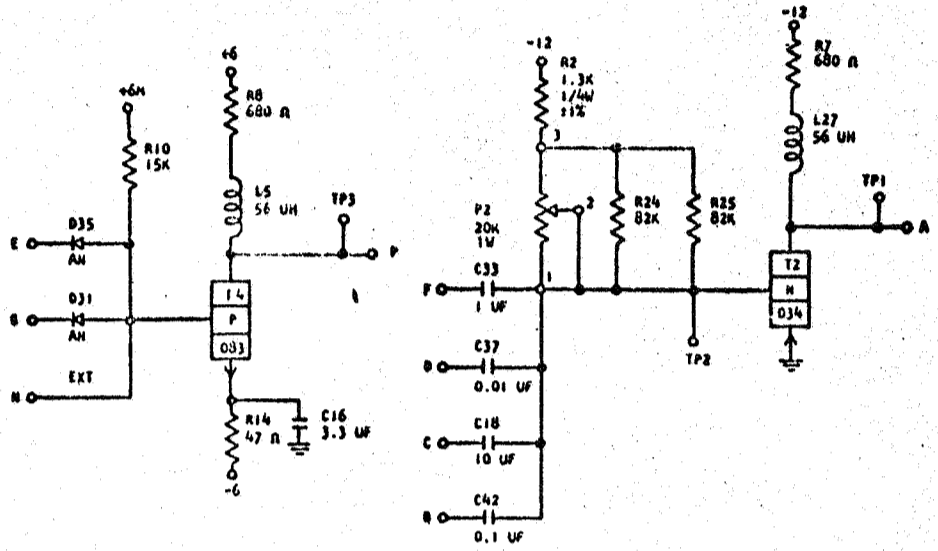
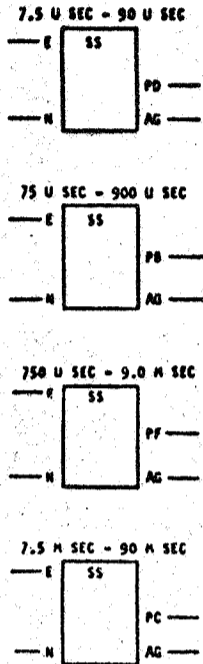


729885

729885  
NC--

REFERENCE DRAWING  
SEE PRODUCTION DRAWING 371592

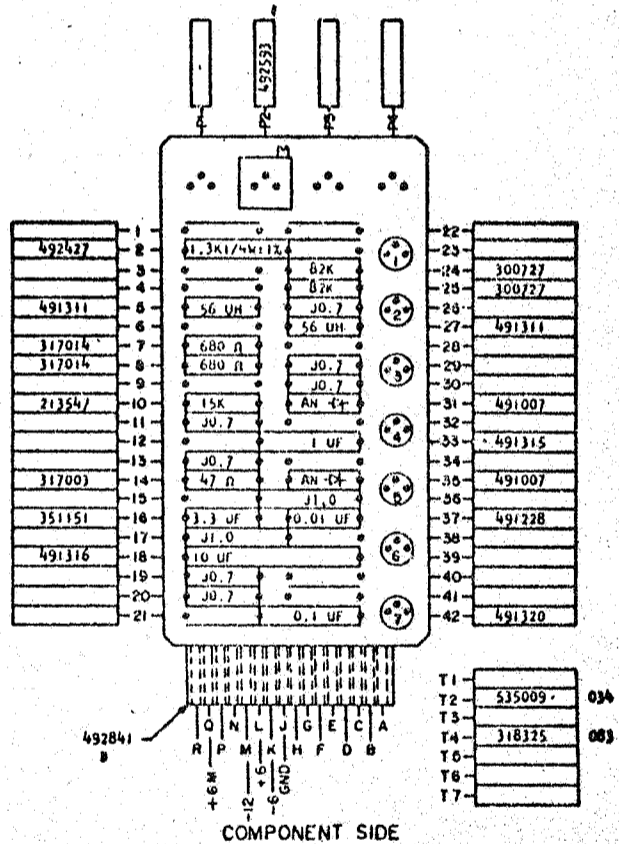
CTDL SINGLE SHOT "U" INPUT



SEQUENCE OF OPERATION

1. T2, T5 ON; A TIED TO B FOR LATCH BACK AND P TO EITHER D, B, F OR C
2. MINUS GOING INPUT TO E, T2, T5 OFF
3. A.C. NETWORK DETERMINES LENGTH OF TIME T5 OFF
4. DOWN INPUT ON EXTENDER CARD WILL GIVE SAME SEQUENCE

PINS	SIGNAL NAME	WAVE SHAPE	LEVELS		
			MIN	MAX	
E	U	INPUT	UP	-0.5	0.2
			DOWN	-7.4	-12.5
N		EXTENDER INPUT	UP	-6	
			DOWN	-12	
G	U	INPUT	UP	-0.5	0.2
			DOWN	-7.4	-12.5
A	U	OUTPUT	UP	-0.5	0.2
			DOWN	-7.4	-12.5
P	T	OUTPUT	UP	1.44	6.24
			DOWN	-5.46	-6.24
T5		SWITCH LEVEL			



CIRCUIT AND PACKAGING STANDARD	
APPROVAL	DATE
ABC	4-2-62

INTERNATIONAL BUSINESS MACHINES CORP.	DATE	CHANGE NO.	APPROVAL	DATE	CHANGE NO.	APPROVAL	DEVELOPMENT NO.
NAME CARD ASSEMBLY TEST-- CTDL	6-29-62	115599					729885
SINGLE SHOT "U" INPUT	9-5-62	115599					
DESIGN							
DETAIL							
ENGR							
CHECK							

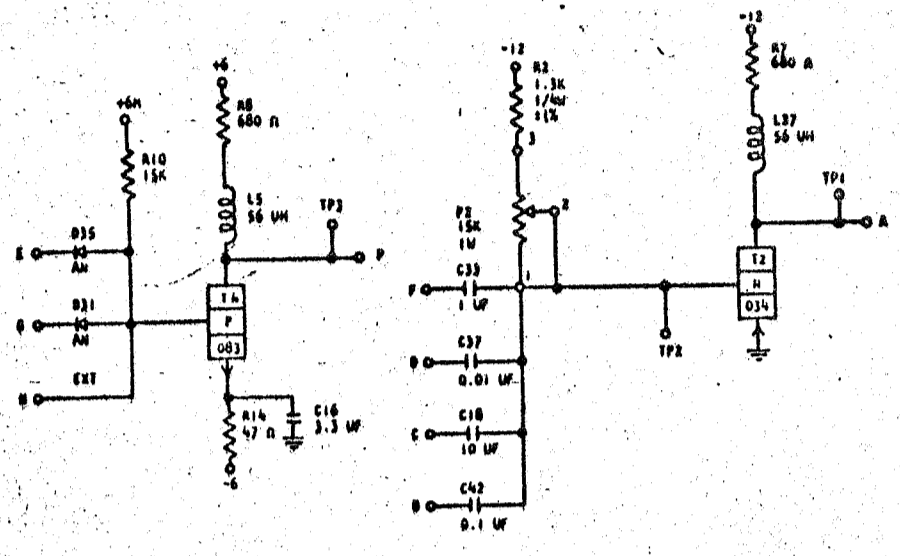
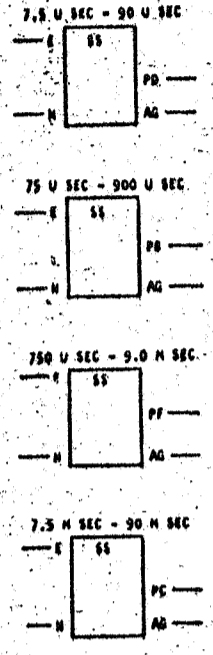


STANDARD  
CARD  
729885  
58922

CARD NO. 729885  
NC--

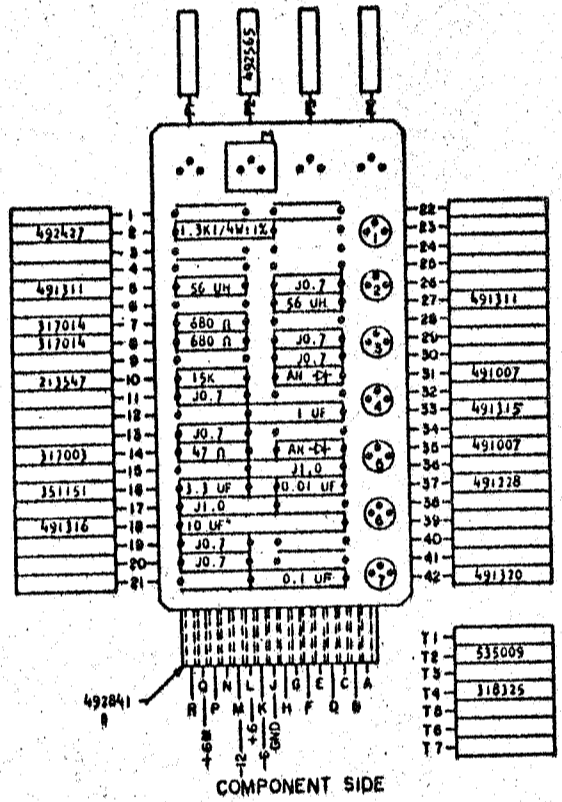
REFERENCE DRAWING  
SEE PRODUCTION DRAWING 371592

CTDL SINGLE SHOT "U" INPUT



- SEQUENCE OF OPERATION
1. TS, TS ON; A TIED TO Q FOR LATCH BACK AND P TO EITHER Q, Q, P OR C
  2. RIMS GOING INPUT TO E, T3, TS OFF
  3. R.C. NETWORK DETERMINES LENGTH OF TIME TS OFF
  4. DOWN INPUT ON EXTENDER CARD WILL GIVE SAME SEQUENCE

PINS	SIGNAL NAME	WAVE SHAPE	LEVELS		
				MIN	MAX
E	U	INPUT	UP	-0.5	0.2
H		EXTENDER INPUT	UP	-6	
H	U	INPUT	DOWN	-12	
Q	U	INPUT	UP	-0.5	0.2
Q	U	INPUT	DOWN	-7.4	-12.5
A	U	OUTPUT	UP	-0.5	0.2
A	U	OUTPUT	DOWN	-7.44	-12.5
P	T	OUTPUT	UP	1.44	6.24
P	T	OUTPUT	DOWN	-5.46	-6.24
TS	BASE	SWITCH LEVEL			



CIRCUIT AND PACKAGING STANDARD			
APPROVAL	DATE	APPROVAL	DATE
ABC	4-2-62		

INTERNATIONAL BUSINESS MACHINES CORP.	DATE	CHANGE NO.	APPROVAL	DATE	CHANGE NO.	APPROVAL	DEVELOPMENT NO.
NAME CARD ASSEMBLY TS1F-- CTDL	6-29-62	115528					729885
SINGLE SHOT "U" INPUT	9-5-62	115529					
DESIGN	3-1-62	SCALE	5MS				
DETAIL	3-1-62	SCALE	NOHL				
CHECK	3-1-62	DRAWN	JRU	11-1-62	30-4-63	JT 83687	
APPROV		CHECK					

729885