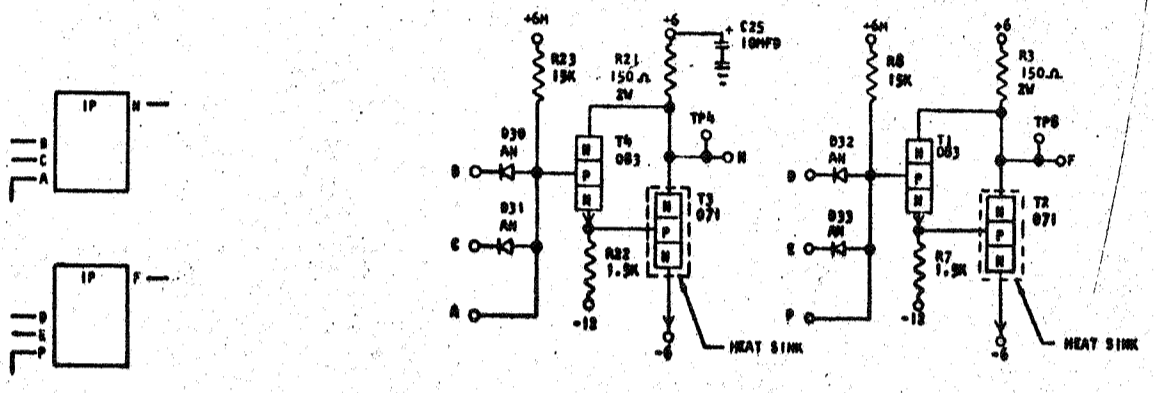


729889
STANDARD CODE

CARD CODE 729889
NU --

REFERENCE DRAWING
SEE PRODUCTION DRAWING 371676

CTDL POWER INVERTER
"P" TYPE

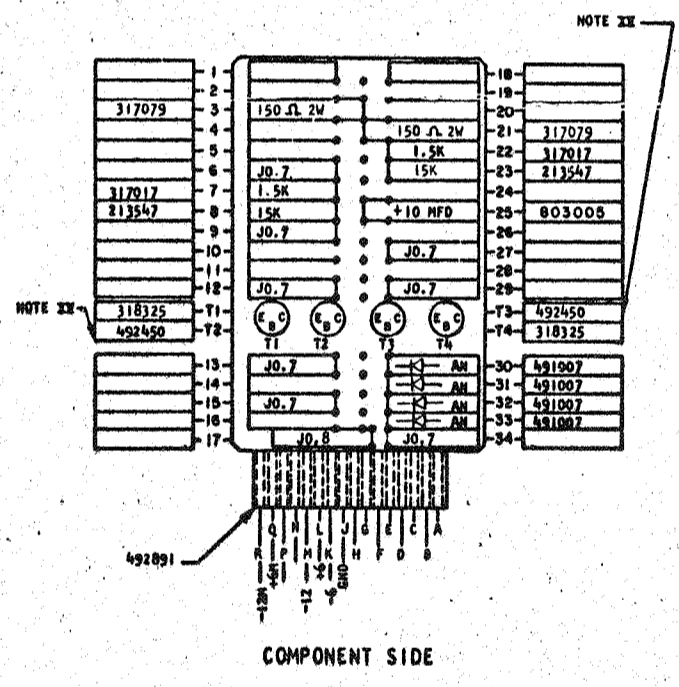


SEQUENCE OF OPERATION

1. ALL INPUTS UP TRANSISTORS ON OUTPUT DOWN.
2. ANY INPUT DOWN TRANSISTORS OFF OUTPUT UP.
3. INPUTS TO EXTENDER CARD MUST BE UP IN COINCIDENCE WITH INPUTS TO CARD FOR DOWN OUTPUT.
4. LOGIC BLOCKS MAY HAVE SYMBOLS OTHER THAN SHOWN.

PINS	SIGNAL NAME	WAVE SHAPE	LEVELS	
			MIN	MAX
B, O	U INPUT	[Waveform]	UP -5.26	0.24
			DOWN -7.44	-12.5
C, E	U INPUT	[Waveform]	UP -5.26	0.24
			DOWN -7.44	-12.5
A, P	EXTENDER INPUT	[Waveform]	UP -6	
			DOWN -12	
H, F	T OUTPUT	[Waveform]	UP 1.44	6.24
			DOWN -5.46	-6.24

DELAY - USEC	MINIMUM	MAXIMUM
TURN ON	0.10	0.40
TURN OFF	0.10	0.15



CIRCUIT AND PACKAGING STANDARD	
APPROVAL	DATE
ABC	4-2-62

INTERNATIONAL BUSINESS MACHINES CORP.	DATE	CHANGE NO.	APPROVAL	DATE	CHANGE NO.	APPROVAL	DEVELOPMENT NO.
NAME CARD ASSEMBLY TSTR-CTDL	6-26-62	RC115599					
POWER INVERTER P TYPE	30.4-63	JT 83687					
DESIGN	RG	3-1-62	SCALE	NONE			
CHECK	WH	3-1-62	DRAW	L10	3-17-62		
APPRO			CHECK				

729889