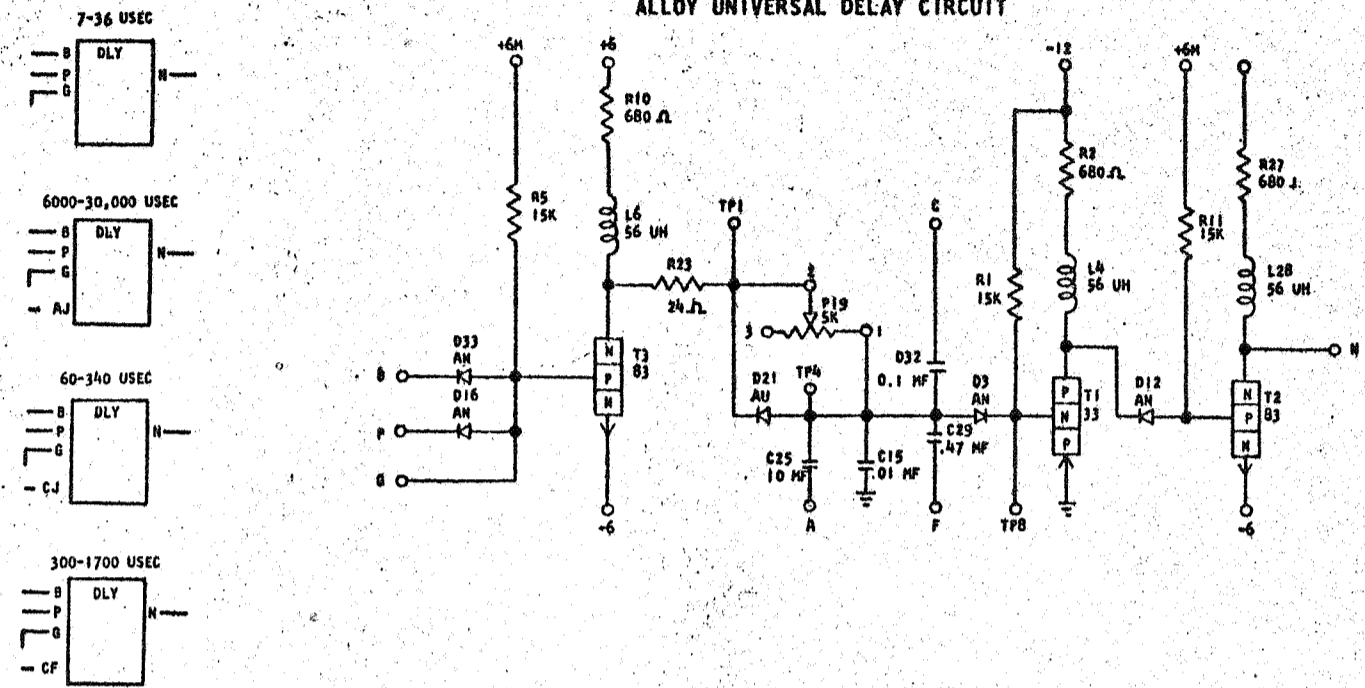


729800
STANDARDS CODE

CARD CODE 729800
AAF-

REFERENCE DRAWING
SEE PRODUCTION DRAWING 371884

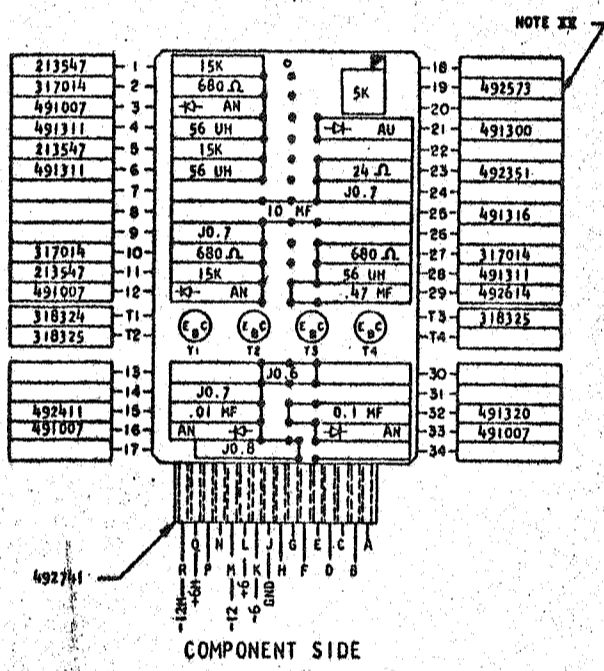
ALLOY UNIVERSAL DELAY CIRCUIT



SEQUENCE OF OPERATION

1. ALL INPUTS UP ALL TRANSISTORS ARE ON OUTPUT IS DOWN
2. ANY DOWN INPUT WILL CAUSE T3 TO GO OFF; T1 AND T2 WILL REMAIN ON UNTIL RC CAPACITOR IS CHARGED. WHEN THE CAPACITOR IS CHARGED T1 AND T2 WILL BE OFF AND THE OUTPUT WILL BE UP

PINS	SIGNAL NAME	WAVE SHAPE	LEVELS		
			MIN	MAX	
B U	INPUT		UP	-5.26	0.24
			DOWN	-7.44	-12.5
P U	INPUT		UP	-5.26	0.24
			DOWN	-7.44	-12.5
M T	OUTPUT		UP	1.44	6.24
			DOWN	-5.46	-6.24
B	EXTENDER INPUT		UP		-6
			DOWN		-12



CIRCUIT AND PACKAGING STANDARDS	
APPROVAL	DATE
ABC	4-2-62

INTERNATIONAL BUSINESS MACHINES CORP.				DATE	CHANGE NO.	APPROVAL	DATE	CHANGE NO.	APPROVAL	DEVELOPMENT NO.
NAME CARD ASM YSTR - ALLOY				4-2-62	115599					729800
UNIVERSAL DELAY CIRCUIT										
DESIGN	RQ	3-1-62	SCALE	NONE						
CHECK	WN	3-1-62	DRAW	LIG	3-17-62					
APPROV			CHECK							

729800