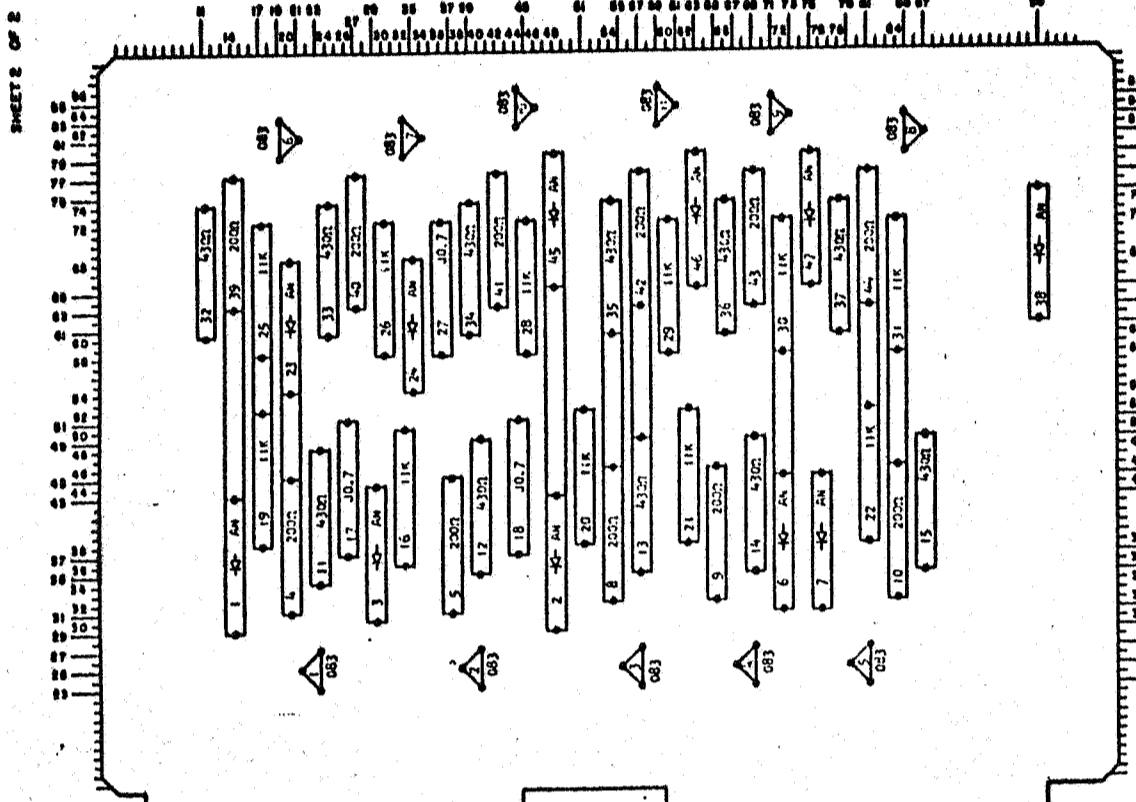


373335  
STANDARD  
FORM  
2-7045

373335  
D J F -



PART NO	VALUE	QTY.
317006	200K	11
317010	430K	11
317027	11K	11
431007	AM	11
318335	OBI	11

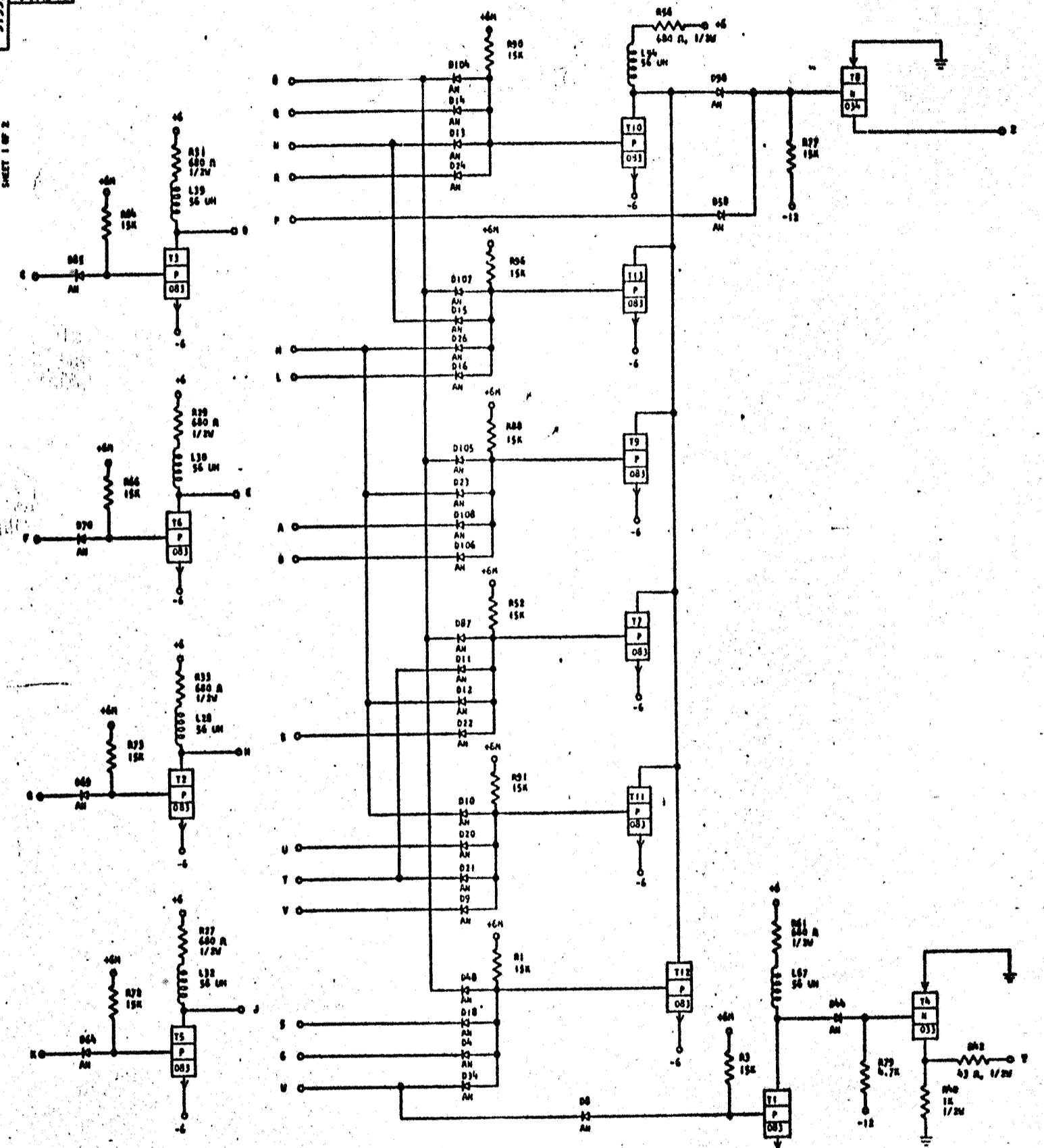
HOLE PATTERN  
490282

POSITION	VALUE	LOWER HOLE	UPPER HOLE	POSITION	TYPE	E	B	C
1	AM	1429	1443	1	OBI	3327	2125	2329
2	AM	4829	4843	2	OBI	4027	3825	4023
3	AM	2930	2944	3	OBI	5727	5525	5723
4	200K	2011	2045	4	OBI	6927	6725	6923
5	200K	3731	3745	5	OBI	8127	7925	8123
6	AM	7231	7245	6	OBI	1979	2181	1983
7	AM	7631	7645	7	OBI	3279	3481	3283
8	200K	5432	5446	8	OBI	3279	3481	3283
9	200K	6532	6546	9	OBI	7181	7383	7185
10	200K	8432	8446	10	OBI	4482	4684	4486
11	430K	2334	2348	11	OBI	5982	6184	5986
12	430K	4035	4049					
13	430K	5735	5749					
14	430K	6935	6949					
15	430K	8735	8749					
16	11K	3236	3250					
17	JO.7	2637	2651					
18	JO.7	4437	4451					
19	11K	1738	1752					
20	11K	5139	5152					
21	11K	6238	6252					
22	11K	8138	8152					
23	AM	2054	2068					
24	AM	3154	3168					
25	11K	1758	1772					
26	11K	3058	3072					
27	JO.7	3658	3672					
28	11K	4558	4572					
29	11K	6058	6072					
30	11K	7258	7272					
31	11K	8458	8472					
32	430K	1160	1174					
33	430K	2460	2474					
34	430K	3960	3974					
35	430K	5460	5474					
36	430K	6960	6974					
37	430K	8460	8474					
38	AM	9951	9975					
39	200K	1451	1475					
40	200K	2751	2775					
41	200K	4051	4075					
42	200K	5351	5375					
43	200K	6651	6675					
44	200K	7951	7975					
45	AM	4865	4879					
46	AM	6165	6179					
47	AM	7465	7479					

NOTES  
 I CIRCUIT MUST CONFORM TO ENGINEERING SPECIFICATION 093159  
 II ASSEMBLE TO ENGINEERING SPECIFICATION 093100  
 III "\*" IN BLOCK DENOTES GAGE WIRE JUMPER 491296  
 IV ALL RESISTORS ARE 1/2 WATT AND 5% UNLESS OTHERWISE NOTED

CIRCUIT AND PACKAGING STANDARD	
APPROVAL	DATE
NAF	8-6-62

INTERNATIONAL BUSINESS MACHINES CORP.				DEVELOPMENT NO.			
NAME	DATE	CHANGE NO.	APPROVAL	DATE	CHANGE NO.	APPROVAL	373335
TWIN CARD ASM- LINE DRIVERS	7-11-62	113678	MDL				X 1242
	12-20-62	014728	MDL				
NUMBER	MODEL	SMS	1401				
CHECK VE	8-20-62	SCALE	NONE				
CHECK VE	8-20-62	DRAW	VE	8-20-62			
APPRO	1/25/62	CHECK					



VOLTAGE  
 0-6  
 -6  
 -12  
 +6

PH  
 -

CIRCUIT AND PACKAGING STANDARD	
APPROVAL	DATE

INTERNATIONAL BUSINESS MACHINES CORP.				DATE	CHANGE NO.	APPROVAL	DATE	CHANGE NO.	APPROVAL	DEVELOPER NO.
DESIGN	VE	8-15-62	SCALE	Sps. 1/401	113615	MDL				X1325
DESIGN	VE	8-15-62	SCALE	NONE	111422B	NOL				
CHECK	VE	8-15-62	ORIG	VE						
APPD			CHECK							

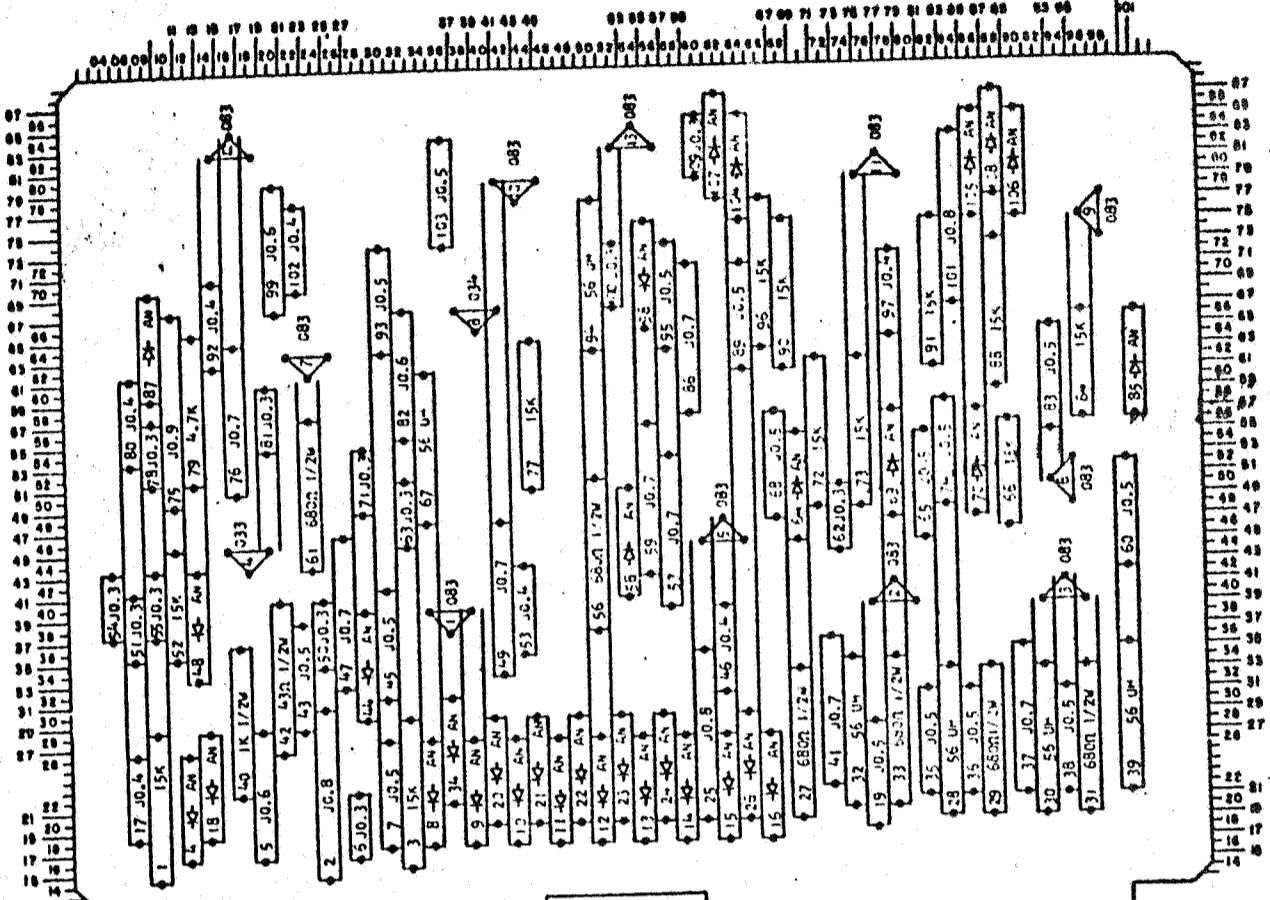
C

37336  
 9574

37336  
STANDARD CODE  
2-7045

0000 CODE  
D J D - 37336

SHEET 2 OF 2



PART NO	VALUE	QTY.
132399	4301/2W	1
213693	1K 1/2W	1
216460	4.7K	1
216472	15K	12
317014	6801/2W	6
491007	AN	32
491311	56 1/4W	6
318324	033	1
318325	083	34
515009	036	4

HOLE PATTERN  
490263

POSITION	VALUE	LOWER HOLE	UPPER HOLE	POSITION	VALUE	LOWER HOLE	UPPER HOLE	POSITION	TYPE	E	B	C
1	15K	0814	0828	57	JO.7	5739	5753	1	083	3439	3637	3839
2	JO.8	2414	2430	58	AN	5340	5350	2	083	8039	7841	7639
3	15K	3215	3229	59	JO.7	5542	5556	3	083	9639	9441	9239
4	AN	1116	1126	60	JO.5	10042	10052	4	033	1545	1743	1945
5	JO.6	1816	1828	61	6801/2W	2343	2357	5	083	6445	6247	6045
6	JO.3	2716	2722	62	JO.3	7344	7350	6	083	9552	9350	9148
7	JO.5	3017	3027	63	AN	3245	3251	7	083	2163	2361	2563
8	AN	3417	3427	64	AN	6945	6955	8	034	3767	3965	4167
9	AN	3817	3827	65	JO.5	8145	8155	9	083	9877	9675	9473
10	AN	4217	4227	66	15K	8946	8956	10	083	4179	4377	4579
11	AN	4617	4627	67	56 1/4W	3447	3461	11	083	7979	7781	7579
12	AN	5017	5027	68	JO.5	6747	6757	12	083	1882	1684	1482
13	AN	5417	5427	69	AN	7847	7857	13	083	5682	5484	5282
14	AN	5817	5827	70	AN	8647	8657					
15	AN	6217	6227	71	JO.3	2848	2854					
16	AN	6617	6627	72	15K	7148	7162					
17	JO.4	0626	0626	73	15K	7548	7562					
18	AN	1318	1328	74	JO.5	8348	8358					
19	JO.5	7628	7628	75	JO.9	1049	1067					
20	AN	4019	4029	76	JO.7	1650	1664					
21	AN	4419	4429	77	15K	4450	4464					
22	AN	4819	4829	78	JO.3	0851	0857					
23	AN	5219	5229	79	4.7K	1251	1265					
24	AN	5619	5629	80	JO.4	0653	0661					
25	JO.8	6019	6035	81	JO.3	1954	1960					
26	AN	6419	6429	82	JO.6	3255	3267					
27	6801/2W	6919	6933	83	JO.5	9355	9365					
28	56 1/4W	8319	8333	84	15K	9656	9666					
29	6801/2W	8719	8733	85	AN	10156	10166					
30	56 1/4W	9219	9233	86	JO.7	5957	5971					
31	6801/2W	9619	9633	87	AN	0859	0869					
32	56 1/4W	7434	7434	88	15K	8859	8873					
33	6801/2W	7830	7834	89	JO.5	6461	6471					
34	AN	3631	3631	90	15K	6861	6875					
35	JO.5	8131	8131	91	15K	8261	8275					
36	JO.5	8531	8531	92	JO.4	1462	1470					
37	JO.7	9031	9035	93	JO.5	3063	3073					
38	JO.5	9431	9431	94	56 1/4W	5063	5077					
39	56 1/4W	10035	10035	95	JO.5	5763	5773					
40	1K 1/2W	1622	1636	96	15K	6663	6677					
41	JO.7	7222	7236	97	JO.4	7864	7872					
42	430 1/2W	2026	2040	98	AN	5565	5575					
43	JO.5	2228	2238	99	JO.6	2067	2079					
44	AN	2829	2839	100	JO.3	5267	5273					
45	JO.5	3031	3041	101	JO.8	8467	8483					
46	JO.4	6231	6239	102	JO.4	2169	2177					
47	JO.7	2632	2646	103	JO.5	3673	3683					
48	AN	1233	1243	104	AN	6475	6485					
49	JO.7	4133	4147	105	AN	8675	8685					
50	JO.3	2434	2440	106	AN	9075	9085					
51	15K	0641	0641	107	AN	6277	6287					
52	JO.4	1045	1045	108	AN	8877	8887					
53	JO.4	4345	4345	109	JO.3	6079	6085					
54	JO.3	0443	0443									
55	JO.3	0843	0843									
56	6801/2W	5037	5051									

NOTES  
 I CIRCUIT MUST CONFORM TO ENGINEERING SPECIFICATION 893160  
 II ASSEMBLY TO ENGINEERING SPECIFICATION 893001  
 III "J" IN BLOCK DENOTES BARE WIRE JUMPER 491296  
 IV ALL RESISTORS ARE 1/4 WATT AND 5% UNLESS OTHERWISE NOTED

CIRCUIT AND PROCESSING STANDARD	
APPROVAL	DATE
NAF G3	9-6-62

INTERNATIONAL BUSINESS MACHINES CORP.	DATE	CHANGE NO.	APPROVAL	DATE	CHANGE NO.	APPROVAL	DEVELOPMENT NO.
NAME: TWIN CARD ASM- FILE PROGRAM	9-21-62	113619	MDL				X 1325
SKIP	12-20-62	0114728	MDL				
DESIGN VE	8-20-62	ACRIS	NONE				
CHECK VE	8-20-62	ORON	VE 8-20-62				
APPROV	7-22-62	ENICO					

C