

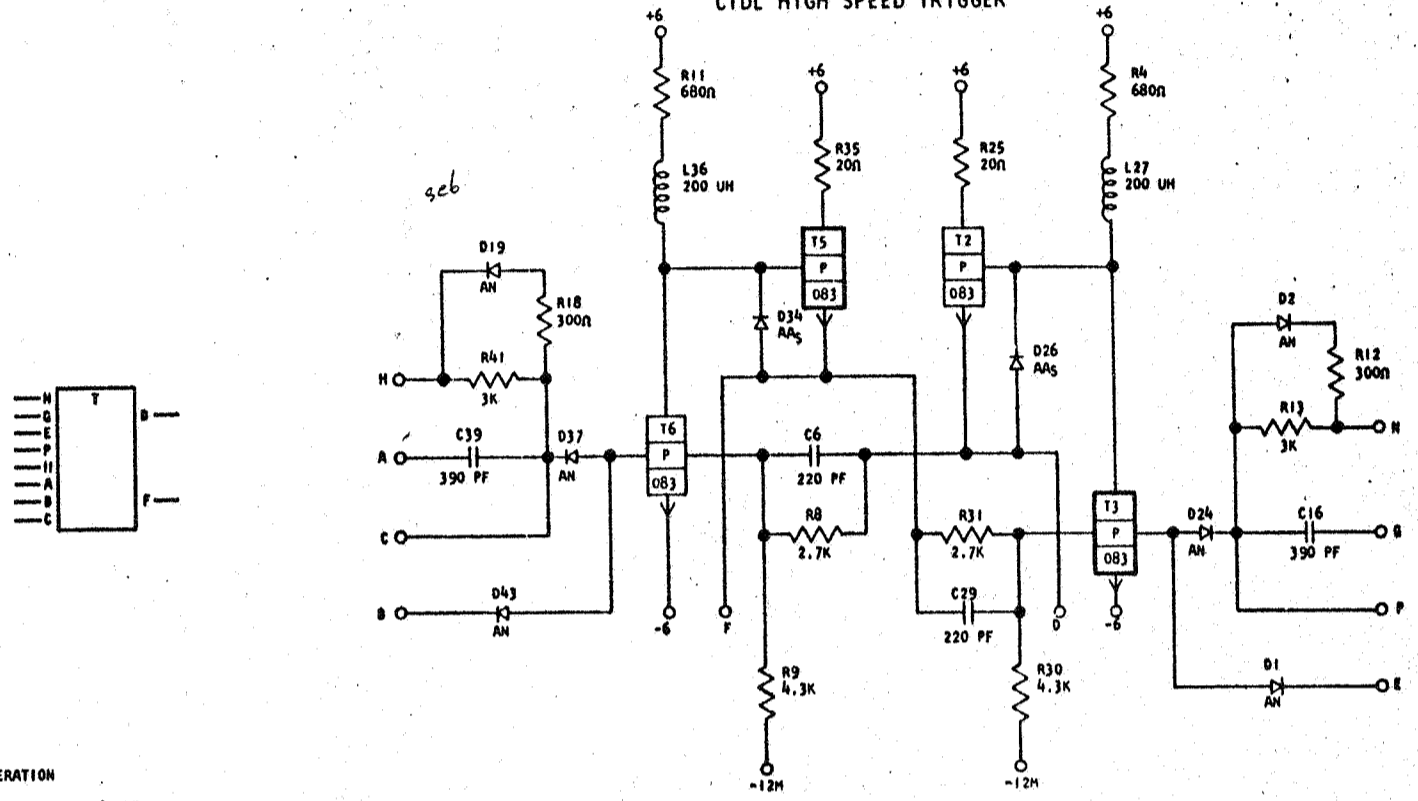
729804

STANDARDS CODE

CARD CODE 729804
A E D -

REFERENCE DRAWING
SEE PRODUCTION DRAWING 371946

CTDL HIGH SPEED TRIGGER



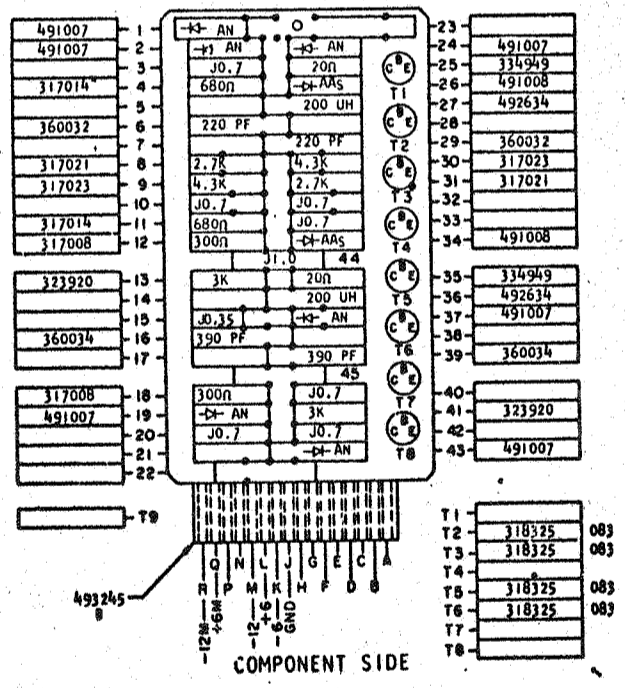
SEQUENCE OF OPERATION

1. T3 AND T5 ON, T2 AND T6 OFF
2. PIN N MUST BE CONDITIONED TO A DOWN LEVEL 0.58 U SEC. BEFORE A NEGATIVE SHIFT IS APPLIED TO PIN G FOR A UP LEVEL AT D AND DOWN LEVEL AT F
3. TO FLIP TRIGGER TO ORIGINAL STATE PIN H AND A MUST BE CONDITIONED AS WERE PINS N AND G
4. DOWN INPUT AT B WILL RESET TRIGGER TO CONDITION 1 AND DOWN INPUT AT E WILL RESET TRIGGER TO CONDITION 2
5. P AND C ARE EXTENDER INPUTS

PINS	SIGNAL NAME	WAVE SHAPE	LEVELS	
			MIN	MAX
A, G	U SET	[Waveform]	UP -0.54	+2.4
			DOWN -7.44	-12.5
N	T GATE	[Waveform]	UP 3.85	6.24
			DOWN -4.46	-6.24
H	T GATE	[Waveform]	UP 3.85	6.24
			DOWN -4.46	-6.24
D	T OUTPUT	[Waveform]	UP 3.85	6.24
			DOWN -4.46	-6.24
F	T OUTPUT	[Waveform]	UP 3.85	6.24
			DOWN -4.46	-6.24
E	U RESET	[Waveform]	UP -0.54	+2.4
			DOWN -7.44	-12.5

DELAY - USEC

1. DELAY FROM INPUT TO OUTPUT OF OFFSIDE (LOADED)
 - DRIVING CTDL LOADS: T ON .14 MIN .16 MAX
 - T OFF .08 MIN .35 MAX
 - DRIVING HI SPEED MESA: T ON .05 MIN .17 MAX
 - T OFF .1 MIN .51 MAX
2. DELAY FROM INPUT TO ONSIDE (UNLOADED)
 - DRIVING HI SPEED DTDL MESA: T ON .13 MIN .51 MAX
 - T OFF .08 MIN .14 MAX
 - DRIVING CTDL LOADS: T ON .11 MIN .38 MAX
 - T OFF .08 MIN .11 MAX



CIRCUIT AND PACKAGING STANDARD	
APPROVAL	DATE
ABC	4-2-62

INTERNATIONAL BUSINESS MACHINES CORP.				DATE	CHANGE NO.	APPROVAL	DATE	CHANGE NO.	APPROVAL	DEVELOPMENT NO.
NAME	CARD ASM TSTR - CTDL	DATE	6-27-62	EC 115599						
	HIGH SPEED TRIGGER	DATE	30.4.63	TT 83687						
DESIGN	RQ	3-1-62	SCALE	NONE						
CHECK	WH	3-1-62	DRAW	LIG 3-17-62						
APPRO			CHECK							

729804