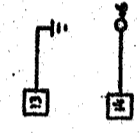
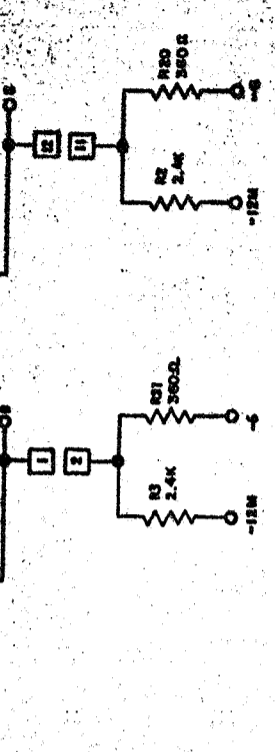
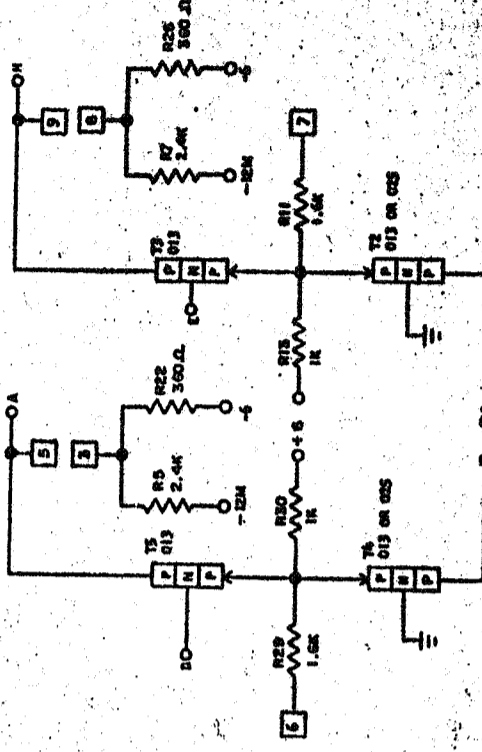


ALLOY - FIELD REPLACEMENT, AM CARD

CARD CODE: AM  
 STANDARD CODE: 2-7045  
 370904  
 DISCONTINUED

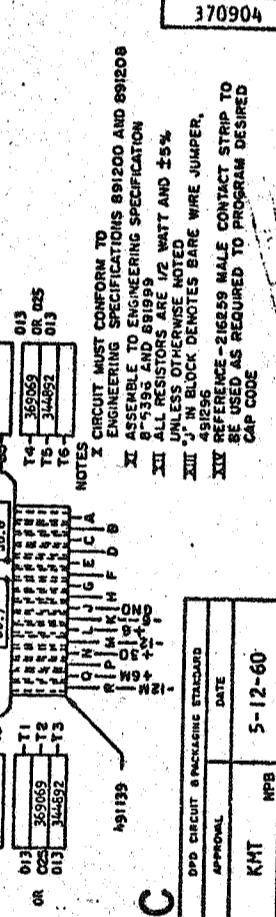
CAP CONFIGURATION

CIRCUIT NAME	CAP. ASM. NO.	TEST SPEC.	15	14	13	12	11	10	9	8	7	6	5	4	3	2	1
ONE WAY H BLOCKS ALL LOADS	371200	891200	○	○	○	○	○	○	○	○	○	○	○	○	○	○	○
ONE WAY H BLOCKS IN Ø LOADS	371201	891201	○	○	○	○	○	○	○	○	○	○	○	○	○	○	○
ONE WAY H BLOCKS OUT Ø LOADS	371202	891202	○	○	○	○	○	○	○	○	○	○	○	○	○	○	○
ONE WAY H BLOCKS NO LOADS	371203	891203	○	○	○	○	○	○	○	○	○	○	○	○	○	○	○
TRANSMISSION LINE DRIVER	371208	891208	○	○	○	○	○	○	○	○	○	○	○	○	○	○	○



15 14 13 12 11 10 9 8 7 6 5 4 3 2 1

15 14 13 12 11 10 9 8 7 6 5 4 3 2



NOTES  
 X CIRCUIT MUST CONFORM TO ENGINEERING SPECIFICATIONS 891200 AND 891208  
 XI ASSEMBLY TO ENGINEERING SPECIFICATION 8-5396 AND 891999  
 XII ALL RESISTORS ARE 1/2 WATT AND ±5% UNLESS OTHERWISE NOTED  
 XIII \* IN BLOCK DEMOTES BARE WIRE JUMPER, REFERENCE 26689 MALE CONTACT STRIP TO BE USED AS REQUIRED TO PROGRAM DESIRED CAP CODE

19199  
 C  
 DPD CIRCUIT & PACKAGING STANDARDS  
 APPROVAL: KMT NFB  
 DATE: 5-12-60

INTERNATIONAL BUSINESS MACHINES CORP.	DATE	CHANGE NO.	APPROVAL
NAME: CARD ASM TSTR - ALLOT	7-22-60	10598	
FIELD DEVELOPMENT - AM CARD	11-15-60	11031	
DEVELOPER: B-3-BITTY/SMS			
DESIGNER: T-2-C/S-A/LE/NONE			
CHECKER: J-4-D/S-2/Deam	VE	15-24-60	
APPROVER: B-3-BITTY/SMS	VE	15-2-60	

370904  
 DEVELOPMENT NO. 2547-1109