

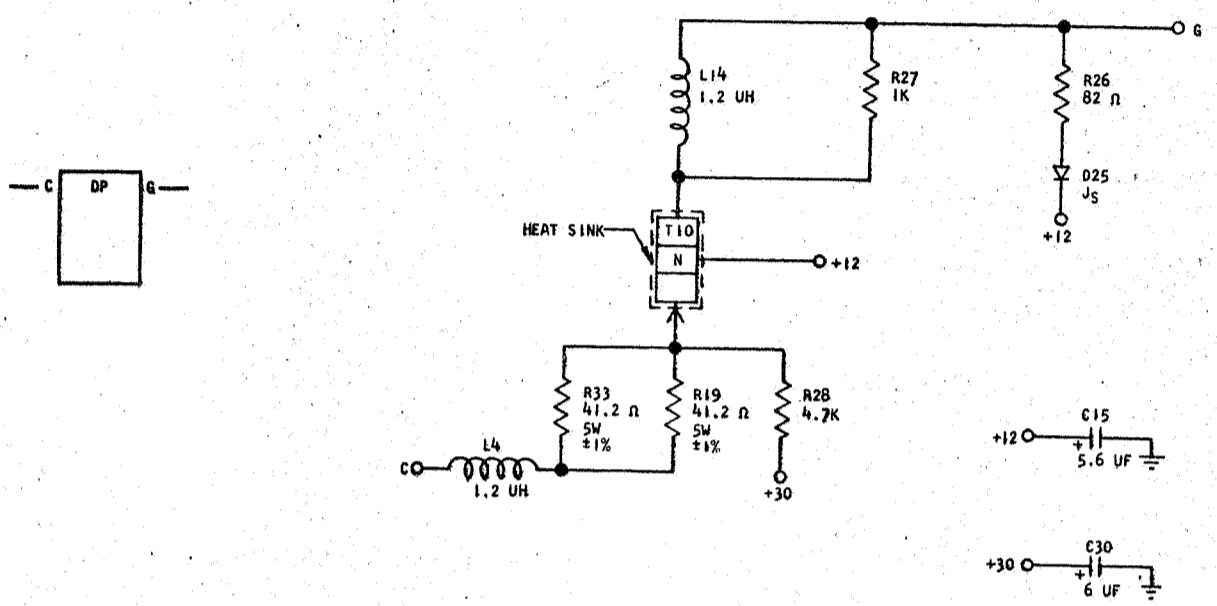
STANDARDS CODE  
729811

CARD CODE 729811  
A Q W -

**REFERENCE DRAWING**

SEE PRODUCTION DRAWING 370835

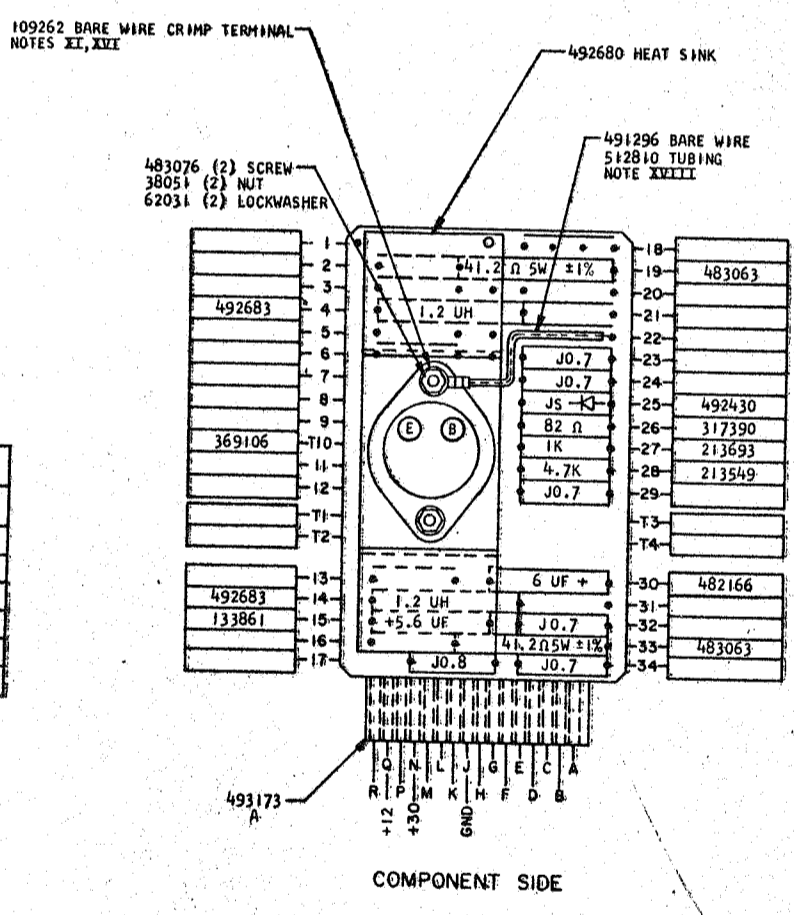
**ALLOY-CURRENT SOURCE #2**  
RECOMMEND MOUNT ON ONE INCH CENTERS NOTE XVIII



**SEQUENCE OF OPERATION**

1. THIS CIRCUIT PROVIDES A CONSTANT CURRENT SOURCE WHEN POWER IS UP. TRANSISTOR IS ON WHEN POWER IS ON.

PINS	SIGNAL NAME	WAVE SHAPE	LEVELS	
			MIN	MAX
C		VOLTAGE P-IN	UP +28.8	+31.2
			DOWN	
G	OUTPUT		UP	+11.0
			DOWN	-10.52 -11.48



CIRCUIT AND PACKAGING STANDARD	
APPROVAL	DATE
ABC	4-2-62

INTERNATIONAL BUSINESS MACHINES CORP.		DATE	CHANGE NO.	APPROVAL	DATE	CHANGE NO.	APPROVAL	DEVELOPMENT NO.
NAME CARD ASM TSTR - ALLOY -		7-62	115599					
CURRENT SOURCE #2								
DESIGN	MODEL SMS							
DETAIL RQ	3-1-62 SCALE NONE							
CHECK WH	3-1-62 DRAW LIG 3-17-62							
APPRO	CHECK							

729811

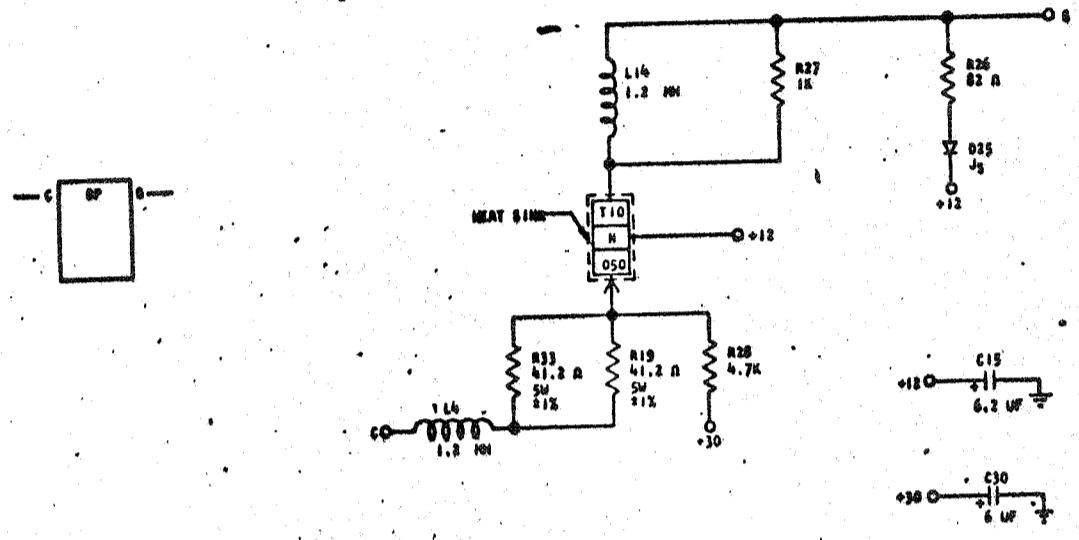
729811  
STANDARD CODE

BOARD CODE 729811  
A Q W -

**REFERENCE DRAWING**

SEE PRODUCTION DRAWING 370835

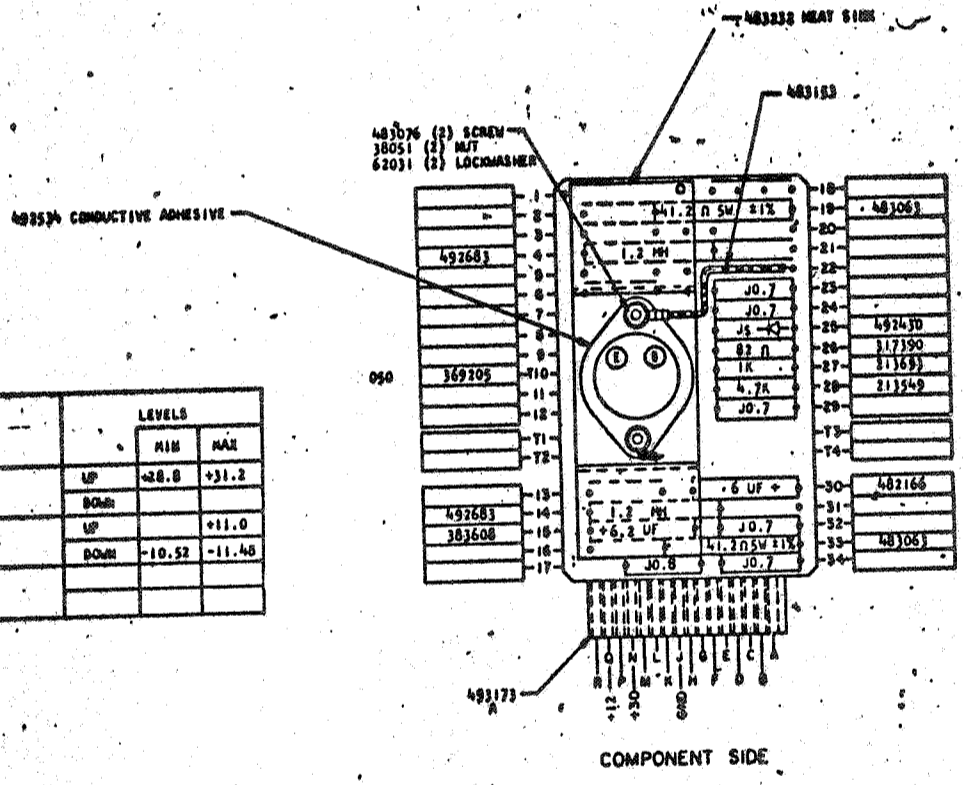
**ALLOY-CURRENT SOURCE #2**  
RECOMMEND MOUNT ON ONE INCH CENTERS NOTE XXXX



**SEQUENCE OF OPERATION**

1. THIS CIRCUIT PROVIDES A CONSTANT CURRENT SOURCE WHEN POWER IS UP. TRANSISTOR IS ON WHEN POWER IS ON

PINS	SIGNAL NAME	WAVE SHAPE	LEVELS		
			MIN	MAX	
C	VOLTAGE PIN		UP	+28.0	+31.2
			DOWN		
B	OUTPUT		UP	+11.0	
			DOWN	-10.52	-11.48



CIRCUIT AND PACKAGING STANDARD	
APPROVAL	DATE
ABC	4-2-62

INTERNATIONAL BUSINESS MACHINES CORP.				DATE	CHANGE NO.	APPROVAL	DATE	CHANGE NO.	APPROVAL	DEVELOPMENT NO.
CARD ASM TSTR - ALLOY -				4-27-62		115599				
CURRENT SOURCE #2				1-3-63		116034				
DESIGN	NO	MODEL	SMS							
DETAIL	NO	SCALE	NONE							
CHECK	NO	DRAW	LIG	3-17-62						
APPRO		CHECK								

729811