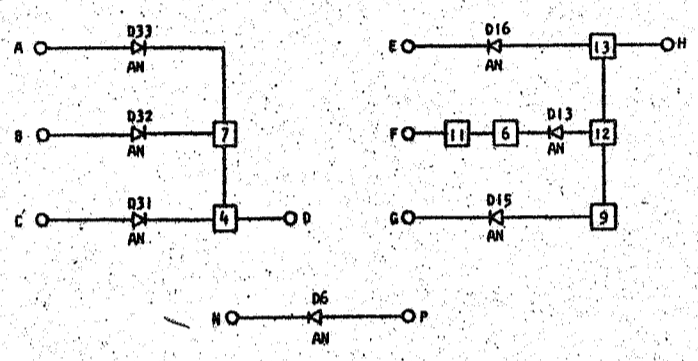
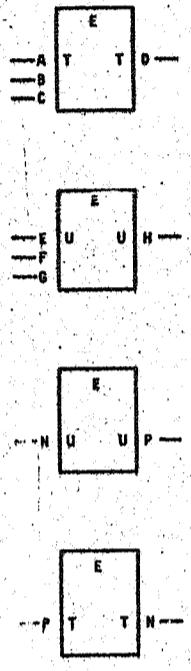


STANDARDS CODE  
729836

CARD CODE 729836  
CL VQ

REFERENCE DRAWING  
SEE PRODUCTION DRAWING 371255

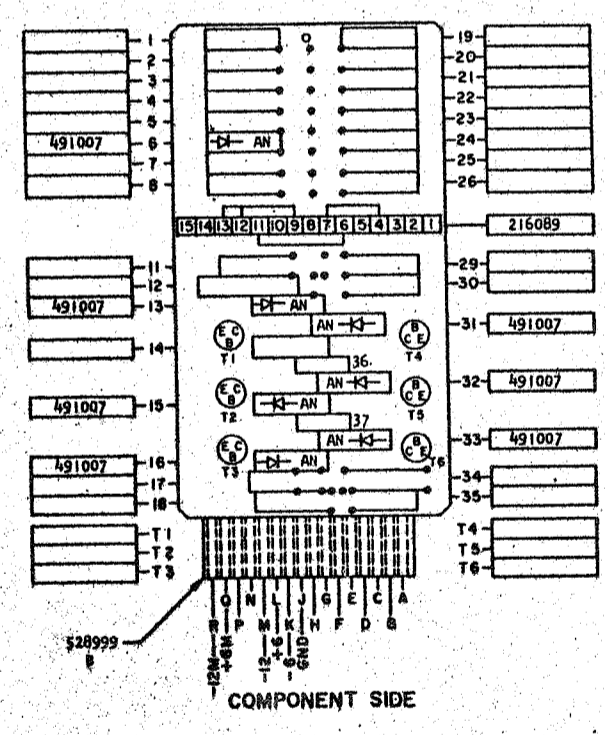
CTDL EXTENDER CARD



SEQUENCE OF OPERATION

1. OUTPUT FROM PIN D EXPANDS INPUTS TO N TYPE BLOCK
2. OUTPUT FROM PIN H EXPANDS INPUTS TO P TYPE BLOCK
3. D6 USED TO EXPAND INPUTS TO P OR N TYPE BLOCK BY REVERSING CONNECTIONS ON TERMINAL PINS

PINS	SIGNAL NAME	WAVE SHAPE	LEVELS	
			MIN	MAX
A	T	INPUT	UP 1.44	6.24
			DOWN -0.74	-6.24
B	T	INPUT	UP 1.44	6.24
			DOWN -0.74	-6.24
C	T	INPUT	UP 1.44	6.24
			DOWN -0.74	-6.24
D	T	EXTENDER OUTPUT	UP +6	
			DOWN 0.0	
E	U	INPUT	UP -5.26	0.24
			DOWN -7.44	-12.5
F	U	INPUT	UP -5.26	0.24
			DOWN -7.44	-12.5
G	U	INPUT	UP -5.26	0.24
			DOWN -7.44	-12.5
H	U	EXTENDER OUTPUT	UP -6	
			DOWN -12	



CIRCUIT AND PACKAGING STANDARD	
APPROVAL	DATE
ABC	4-2-62

INTERNATIONAL BUSINESS MACHINES CORP.				DATE	CHANGE NO.	APPROVAL	DATE	CHANGE NO.	APPROVAL	DEVELOPMENT NO.
NAME	CARD ASN YSTR - CTDL			6 27-62	115599					
EXTENDER CARD										
DESIGN		MODEL	SMS							
DETAIL NO	3-1-62	SCALE	NONE							
CHECK	MH	3-1-62	DRAW	LIG	3-1-62					
APPRO			CHECK							

C

729836