

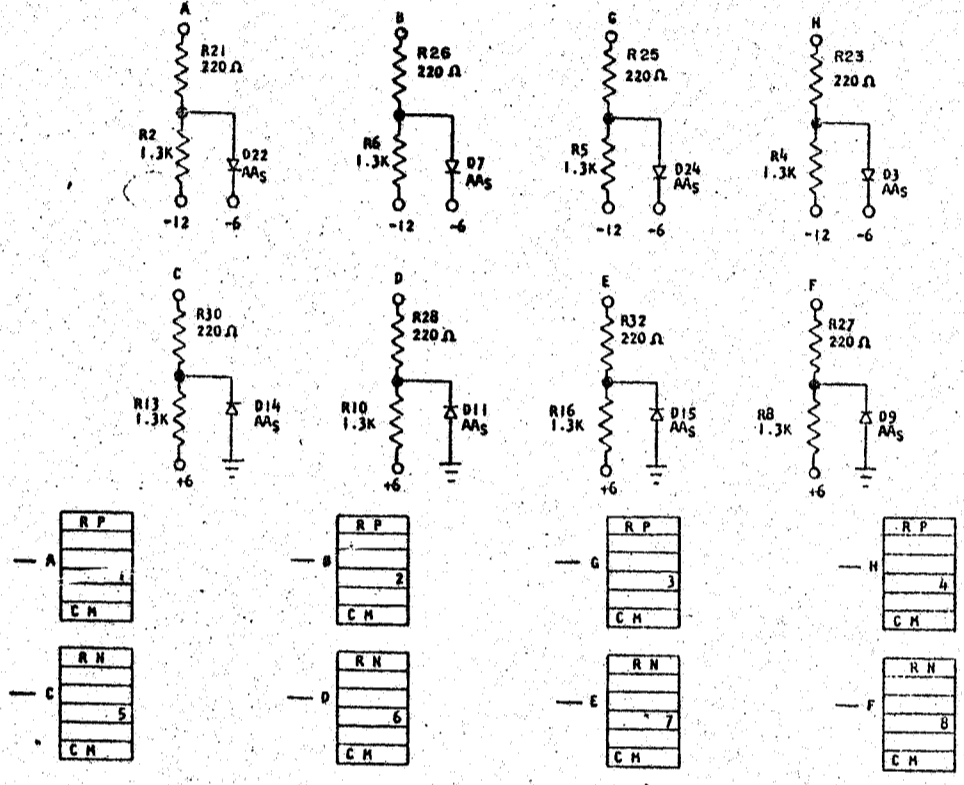
STANDARDS CODE
729840

CARD CODE 729840
CH --

REFERENCE DRAWING

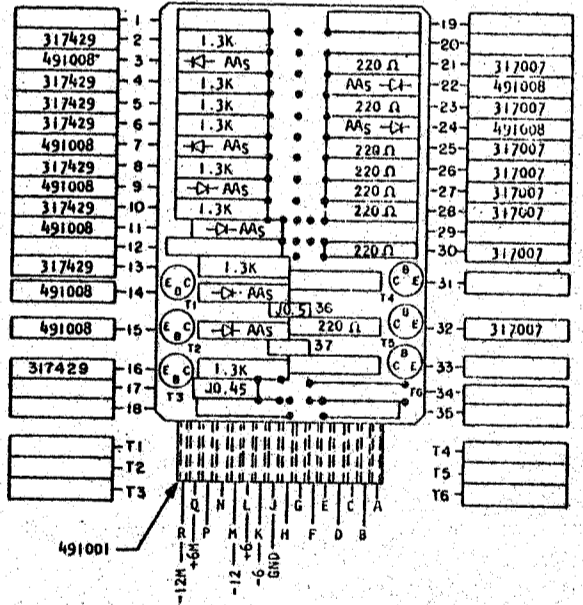
SEE PRODUCTION DRAWING 371256

CTDL - COUPLING NETWORK



SEQUENCE OF OPERATION

1. COLLECTOR LOADING FOR CURRENT MODE LOGIC BLOCKS
2. A, B, G, H, PROVIDE P LEVEL OUTPUTS; C, D, E, F, PROVIDE N LEVEL OUTPUTS
3. FOR DELAY DATA REFER TO THE GENERAL INFORMATION ON CTDL DELAY UNDER CURRENT MODE TO CTDL COUPLING.



COMPONENT SIDE

CIRCUIT AND PACKAGING STANDARD	
APPROVAL	DATE
ABC	4-2-62

INTERNATIONAL BUSINESS MACHINES CORP.				DATE	CHANGE NO.	APPROVAL	DATE	CHANGE NO.	APPROVAL	DEVELOPMENT NO.
NAME CARD ASM TSTR - CTDL				3-1-62	115599					729840
DESIGN COUPLING NETWORK										
MODEL	SPIS									
DETAIL RQ	3-1-62	SCALE	NONE							
CHECK MH	3-1-62	DRAW	LIG	3-17-62						
APPRO		CHECK								

729840