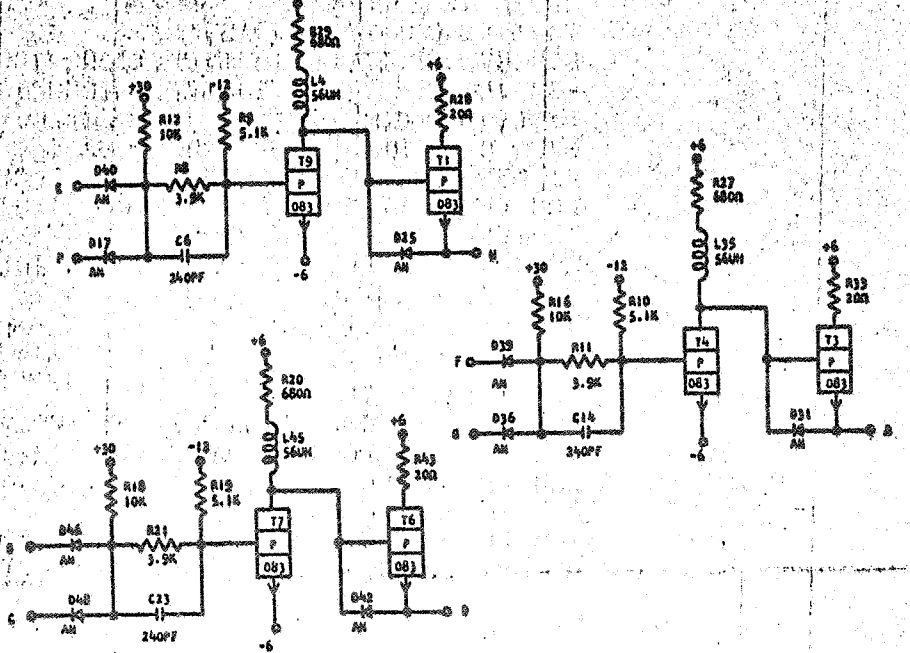
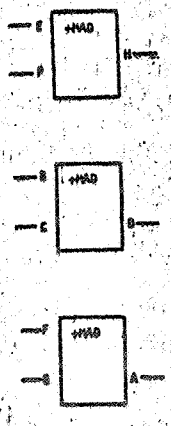




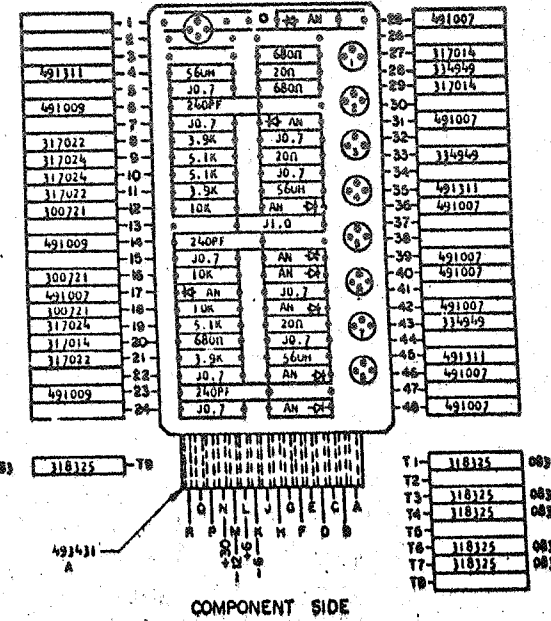
REFERENCE DRAWING  
SEE PRODUCTION DRAWING 370342

CLOCK AND WITH EMITTER FOLLOWER DRIVER



- SEQUENCE OF OPERATION
1. ALL INPUTS UP, T<sub>1</sub> IS ON, T<sub>2</sub> IS OFF, OUTPUT IS DOWN.
  2. ONE INPUT DOWN, T<sub>1</sub> IS OFF, T<sub>2</sub> IS ON, OUTPUT IS UP.
  3. DELAY WHEN DRIVING CTDL LOADS  
TURN ON .1 USEC MAX  
TURN OFF .25 USEC MAX
  4. DELAY WHEN DRIVING CLOCK LOAD  
TURN ON .25 USEC MAX  
TURN OFF .12 USEC MAX

PINS	SIGNAL NAME	WAVE SHAPE	LEVELS	
			MIN	MAX
E, F, H	T	INPUT	UP	3.60 - 6.24
			DOWN	-4.46 - -6.24
F, D, C	T	INPUT	UP	3.60 - 6.24
			DOWN	-4.46 - -6.24
H, A, B	T	OUTPUT	UP	3.09 - 6.24
			DOWN	-4.46 - -6.24



CIRCUIT AND PACKAGING STANDARD	
APPROVAL	DATE
ABC	4-2-62

INTERNATIONAL BUSINESS MACHINES CORP.	DATE	CHANGE NO.	APPROVAL	DATE	CHANGE NO.	APPROVAL	DEVELOPMENT NO.
NAMECARD ALM TEST-CLOCK AND WITH EMITTER FOLLOWER DRIVER	6-29-62	115529					729857
DESIGN							
DESIGN NO.							