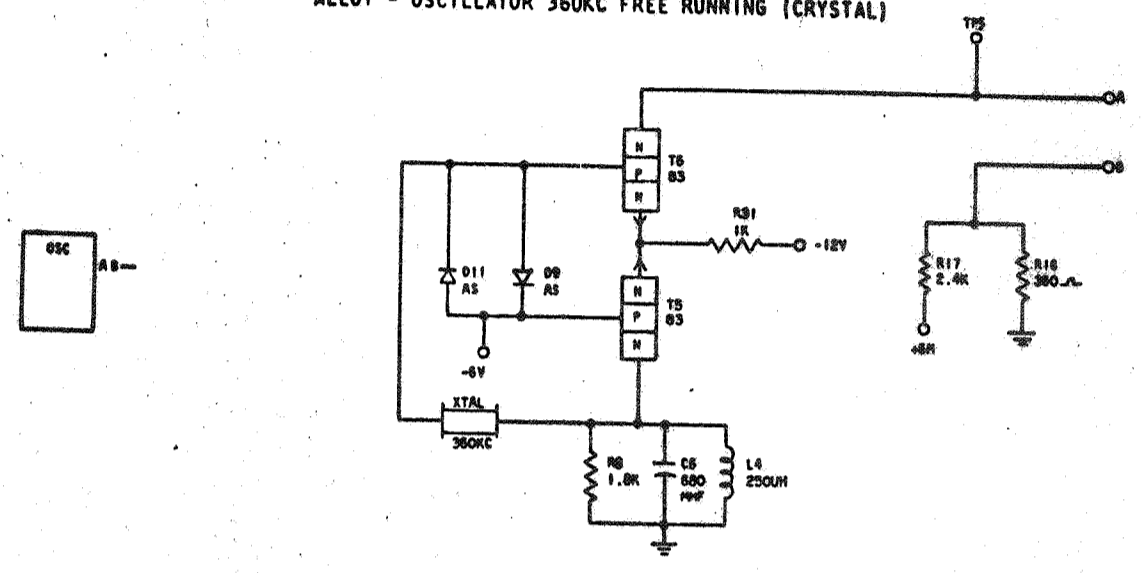


729860
STANDARD
OSC

CARD CODE 729860
FT --

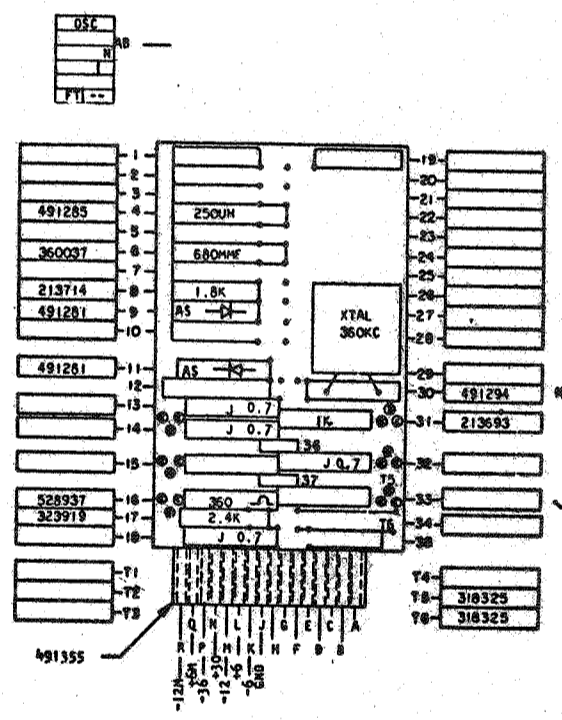
REFERENCE DRAWING
SEE PRODUCTION DRAWING 371405

ALLOY - OSCILLATOR 360KC FREE RUNNING (CRYSTAL)



- SEQUENCE OF OPERATION
1. WHEN POWER IS UP, THE OSCILLATOR TURNS ON
 2. PIN A MUST BE TIED TO PIN B

PINS	SIGNAL NAME	WAVE SHAPES	LEVELS	
			HIN	MAX
A	OUTPUT		UP	.697
			DOWN	-.92
				-2.04



COMPONENT SIDE

CIRCUIT AND PACKAGING STANDARDS	
APPROVAL	DATE
ABC	4-2-62

INTERNATIONAL BUSINESS MACHINES CORP.				DATE	CHANGE NO.	APPROVAL	DATE	CHANGE NO.	APPROVAL	DEVELOPMENT NO.
NAME	CARD ASM TSTR - ALLOY	DATE	6-29-62	CHANGE NO.	EC115599	APPROVAL		DATE		DEVELOPMENT NO.
OSC	F/A NPN 360KC (CRYSTAL)	DATE	30.4.63	CHANGE NO.	7783687	APPROVAL		DATE		DEVELOPMENT NO.
DESIGN		MODEL	SMS							
DETAIL	RQ 3-1-62	SCALE	NONE							
CHECK	WH 3-1-62	DRAW	LIG 3-17-62							
APPRO		CHECK								

729860

