

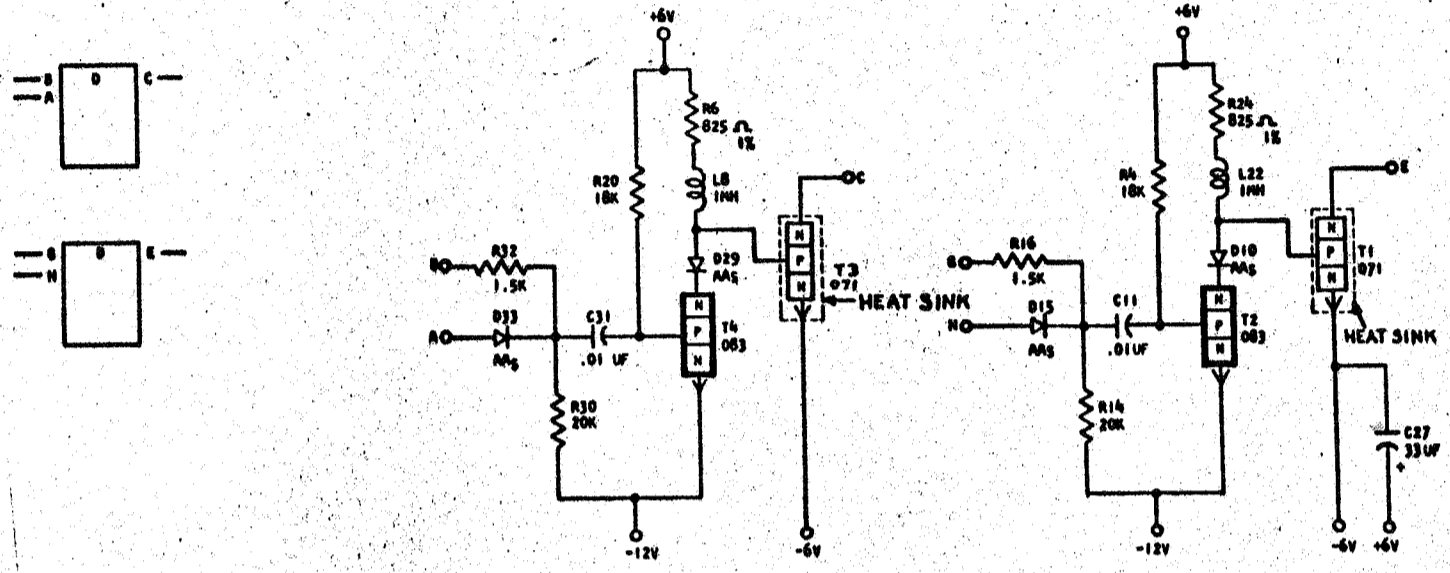
729863

STANDARD CODE

CARD CODE 729863  
HN --

REFERENCE DRAWING  
SEE PRODUCTION DRAWING 371463

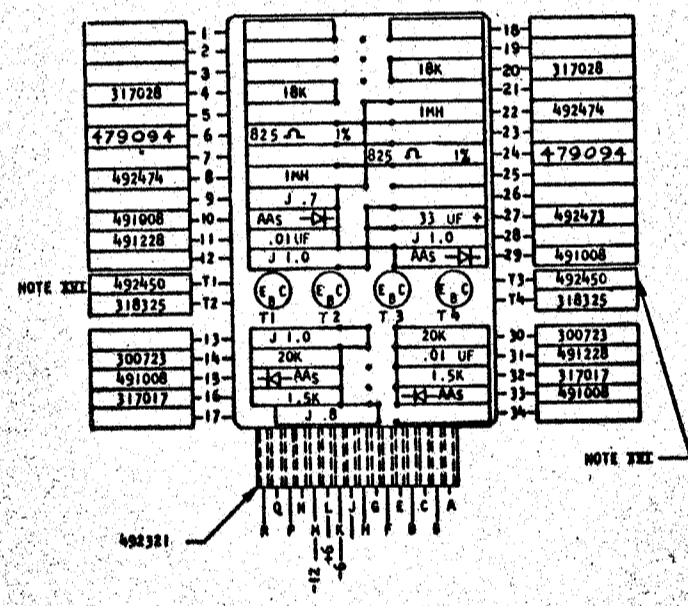
ALLOY-DRIVERS, READ WRITE VM



SEQUENCE OF OPERATION

1. T4, T2 ON; T3, T1 OFF
2. DOWN INPUT AT B 0.5 U SEC BEFORE DOWN INPUT AT A TURNS T4 OFF T3 ON
3. WAVE FORM AT C OR E NOT SHOWN AS THE FUNCTION OF T1 AND T3 IS CURRENT OUTPUT
4. DELAY  
TURN ON MAXIMUM .3 USEC  
TURN OFF .37 USEC

PINS	SIGNAL NAME	WAVE SHAPE	LEVELS	
			MIN	MAX
B, G	INPUT GATE	[Waveform]	UP -0.54	0.24
			DOWN -7.44	-12.5
A, H	INPUT SET	[Waveform]	UP 0.0	-0.1
			DOWN -11.5	-12.5
INPUT TO OF	BASE T1, T3	[Waveform]	UP -5.8	
			DOWN -11.8	



COMPONENT SIDE

CIRCUIT AND PACKAGING STANDARD	
APPROVAL	DATE
ABC	4-2-62

INTERNATIONAL BUSINESS MACHINES CORP.		DATE	CHANGE NO.	APPROVAL	DATE	CHANGE NO.	APPROVAL	DEVELOPMENT NO.
NAME	CARD ASM ISTR - ALLOY	4-27-62	EC115599					
	DRIVERS - READ WRITE VM	30-4-63	JT83687					
DESIGN	RQ	3-1-62	SCALE	HOME				
CHECK	VM	3-1-62	DRAW	LIG	3-17-62			
APPROD			CHECK					

729863

C