

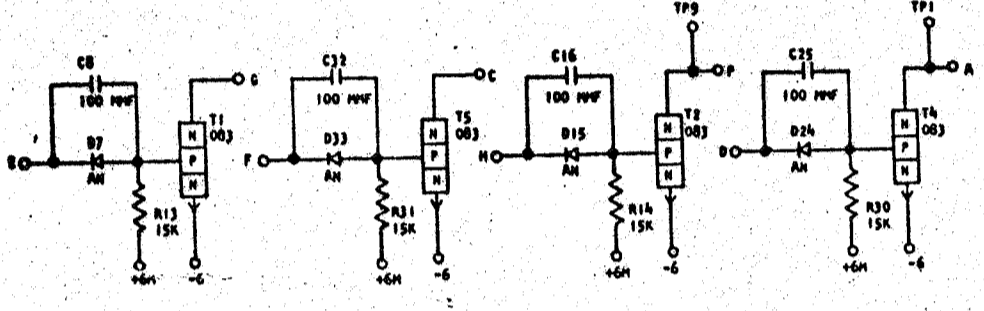
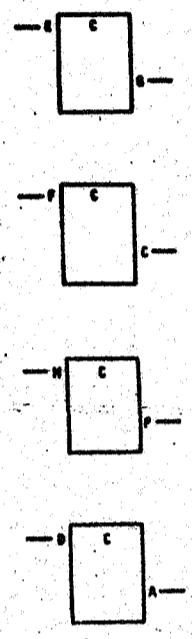
729875

CARD CODE 729875
JJ --

REFERENCE DRAWING

SEE PRODUCTION DRAWING 371590

CTDL HIGH SPEED ONE WAY NPN NO LOADS



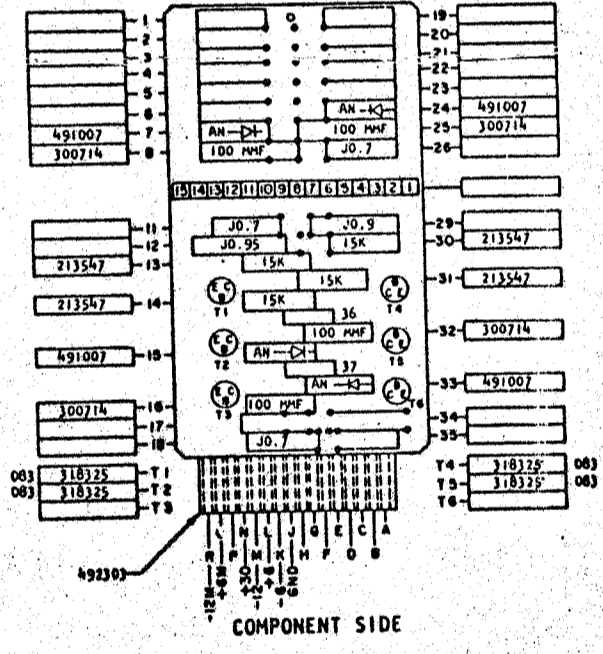
SEQUENCE OF OPERATION

1. IF THE INPUT IS UP, THE TRANSISTOR IS ON, THE OUTPUT IS DOWN
2. IF THE INPUT IS DOWN, THE TRANSISTOR IS OFF, THE OUTPUT IS UP
3. ALL TRANSISTORS MUST BE COLLECTOR LOADED
4. LOGIC BLOCKS MAY HAVE SYMBOLS OTHER THAN SHOWN

PINS	SIGNAL NAME	WAVE SHAPE	LEVELS	
			MIN	MAX
E, F, N, D	U	INPUTS	UP	-5.26 +.24
			DOWN	-7.44 -12.48
G, C, P, A	T	OUTPUTS	UP	+1.44 +6.24
			DOWN	-5.26 -6.24

DELAY - USEC

	MINIMUM	MAXIMUM
TURN ON	0.10	0.20
TURN OFF	0	0.30



CIRCUIT AND PACKAGING STANDARD

APPROVAL	DATE
ABC	4-2-62

INTERNATIONAL BUSINESS MACHINES CORP.	DATE	CHANGE NO.	APPROVAL	DATE	CHANGE NO.	APPROVAL	DEVELOPMENT NO.
NAME CARD ASM TSTR-CTDL HIGH	4-27-62	115599					729875
SPEED ONE WAY NPN NO LOADS	30.4.63	7783687					
DESIGN	MODEL	SMS					
DETAIL RQ	3-1-62	SCALE NONE					
CHECK MN	3-1-62	DRAW LIG 3-17-62					
APPRO		CHECK					

729875