

729886

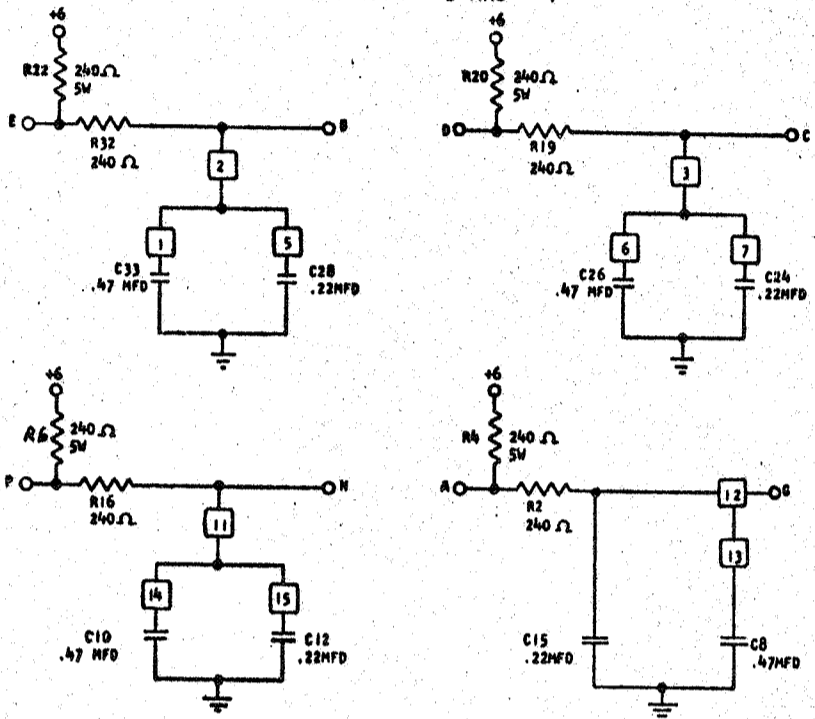
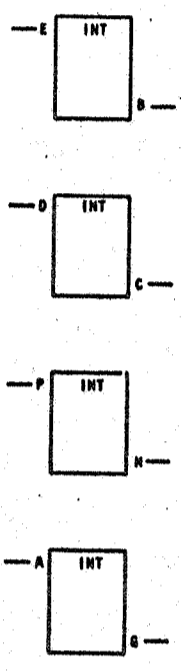
STANDARDS CODE

CARD CODE 729886  
NG TF

REFERENCE DRAWING

SEE PRODUCTION DRAWING 371635

CTDL - INTEGRATOR - U AND - T

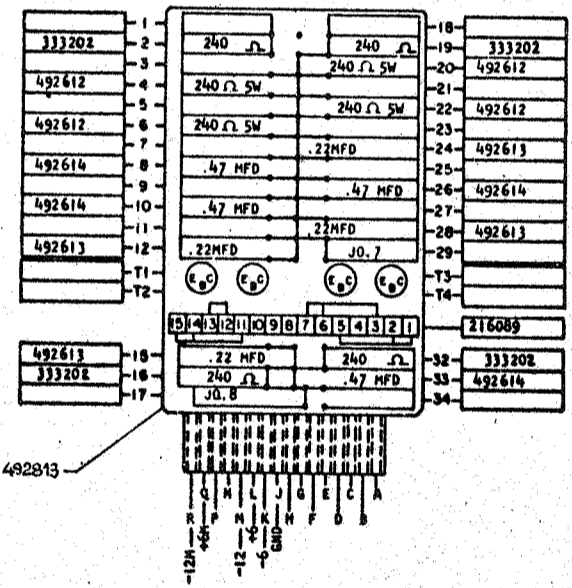


APPLICATION

- USED TO PROVIDE AN OUTPUT THAT IS FREE OF INTERMITTENT FLUCTUATIONS RESULTING FROM BOUNCING OF MECHANICAL OPERATED CONTACTS
- B, C, H, G ARE AT +6 LEVEL IF CONTACT IS OPEN AND -6 LEVEL IF CLOSED
- WHEN THE INPUT IS MADE THROUGH A CAM TO 130 OHMS TIED TO -12 VOLTS, THE OUTPUT IS A-T LINE. DELAY IS AS FOLLOWS: RTH=325 OHMS, 3T=3RTH C.
 

	MINIMUM	MAXIMUM	CAPACITANCE
TURN ON	3T=510 USEC	3T=845 USEC	.69UF
TURN ON	348	580	.47UF
TURN ON	162	268	.22UF
RTH=480 OHMS			
TURN OFF	3T=755	1250	.69UF
TURN OFF	514	852	.47UF
TURN OFF	240	400	.22UF
- WHEN THE INPUT IS MADE THROUGH A CAM TO -12 VOLTS, THE OUTPUT IS A-U LINE. DELAY IS AS FOLLOWS: RTH=240 OHMS
 

	MINIMUM	MAXIMUM	CAPACITANCE
TURN ON	3T=377 USEC	626 USEC	.69UF
TURN ON	257	426	.47UF
TURN ON	120	200	.22UF
RTH=480 OHMS			
TURN OFF	3T=754 USEC	1254 USEC	.69UF
TURN OFF	514	852	.47UF
TURN OFF	240	400	.22UF



CIRCUIT AND PACKAGING STANDARD	
APPROVAL	DATE
ABC	4-2-62

INTERNATIONAL BUSINESS MACHINES CORP.				DATE	CHANGE NO.	APPROVAL	DATE	CHANGE NO.	APPROVAL	DEVELOPMENT NO.
NAME CARD ASM TSTR-CTDL-				6-29-62	EC 115599					729886
INTEGRATOR - U AND T				30.4.63	JT 83687					
DESIGN	RQ	3-1-62	SCALE	NONE						
CHECK	WH	3-1-62	DRAW	LIG 3-17-62						

729886