

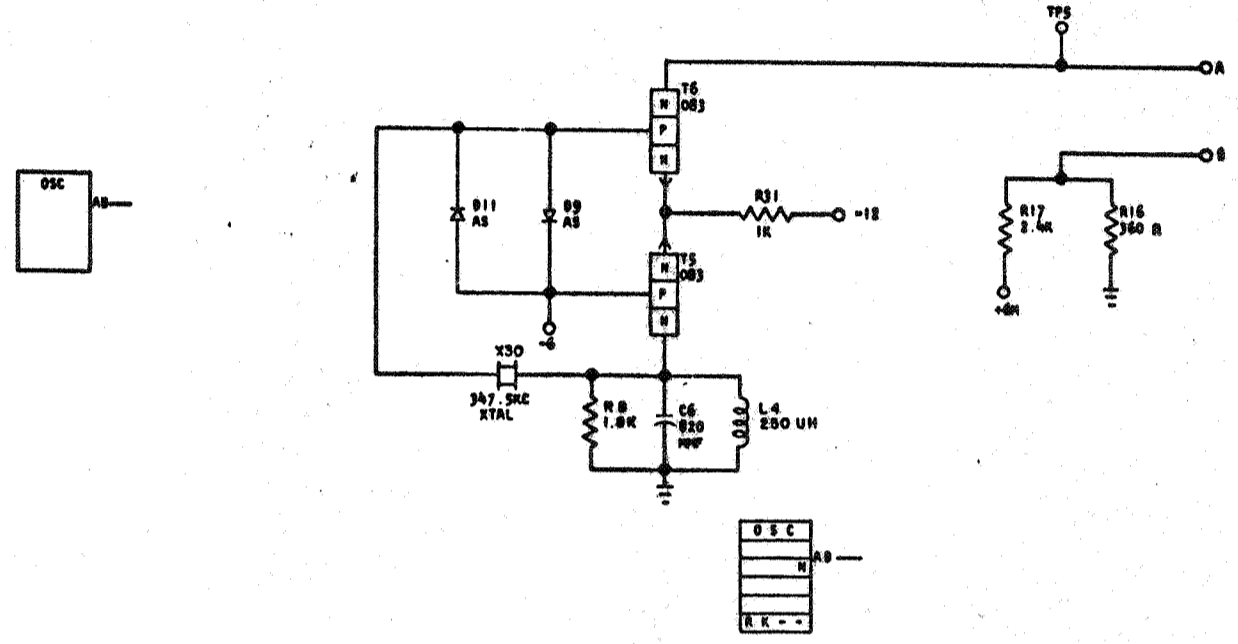
729895

STANDARD CODE

CARD CODE 729895  
RK --

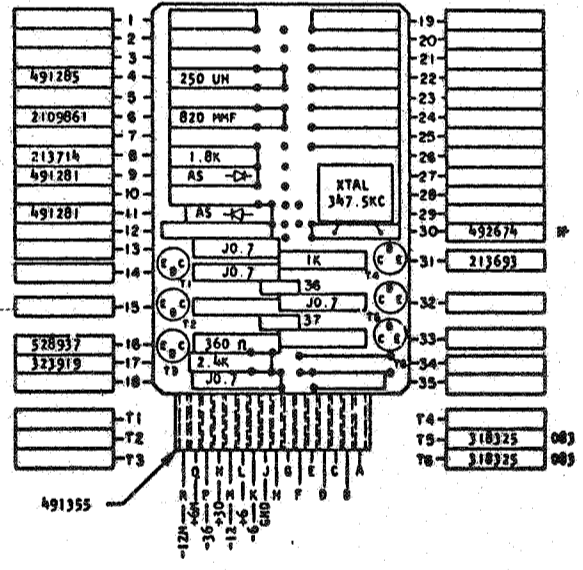
REFERENCE DRAWING  
SEE PRODUCTION DRAWING 371788

ALLOY - OSCILLATOR 347.5KC FREE RUNNING (CRYSTAL)



- SEQUENCE OF OPERATION
1. WHEN POWER IS UP, THE OSCILLATOR IS TURNED ON
  2. PIN A MUST BE TIED TO PIN B FOR LOAD

PINS	SIGNAL NAME	WAVE SHAPE	LEVEL	
			MIN	MAX
A	OUTPUT		UP .69	.86
			DOWN -.9	-2.04



CIRCUIT AND PACKAGING STANDARD	
APPROVAL	DATE
ABC	4-2-62

INTERNATIONAL BUSINESS MACHINES CORP.				DATE	CHANGE NO.	APPROVAL	DATE	CHANGE NO.	APPROVAL	DEVELOPMENT NO.
NAME CARD ASM TSTR-ALLOY-OSC				6-2-62	EC 115599					729895
347.5KC FREE RUNNING (CRYSTAL)				30.4.63	J783687					
DESIGN	RQ	3-1-62	SCALE	NONE						
CHECK	WH	3-1-62	DRAW	LIG	3-17-62					
APPRO			CHECK							

C

729895

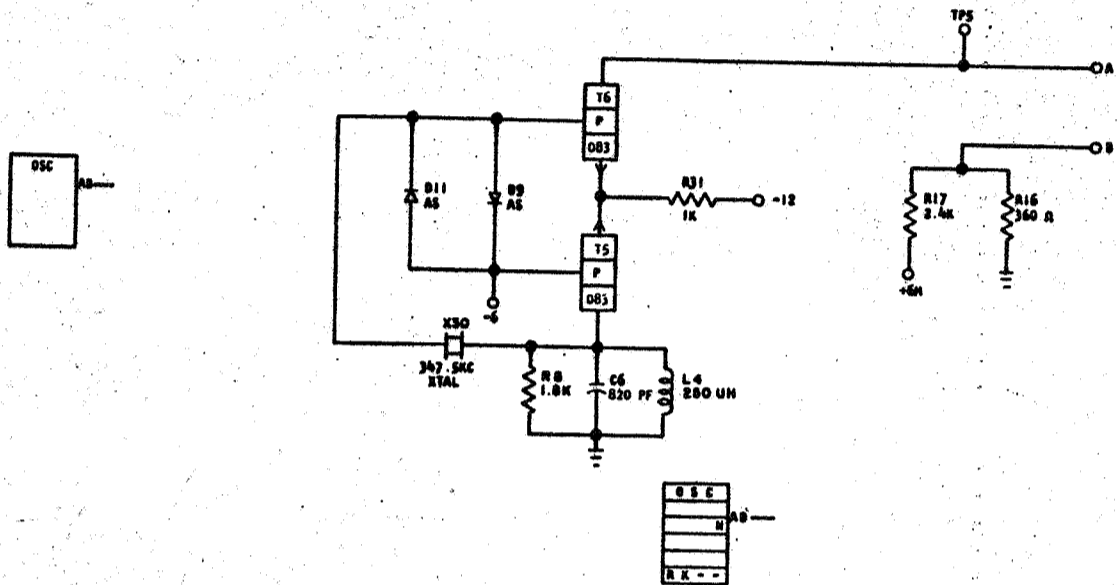
STANDARD CODE

CARD CODE 729895  
RK --

REFERENCE DRAWING

SEE PRODUCTION DRAWING 371788

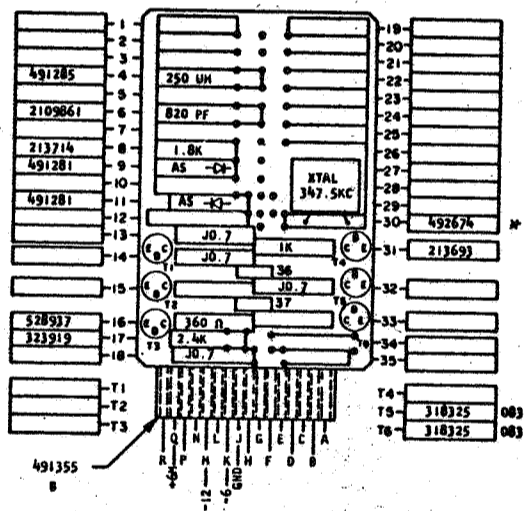
ALLOY - OSCILLATOR 347.5KC FREE RUNNING (CRYSTAL)



SEQUENCE OF OPERATION

1. WHEN POWER IS UP, THE OSCILLATOR IS TURNED ON
2. PIN A MUST BE TIED TO PIN B FOR LOAD

PINS	SIGNAL NAME	WAVE SHAPE	LEVEL	
			MIN	MAX
A	OUTPUT		UP -0.69	DOWN -2.06



CIRCUIT AND PACKAGING STANDARD	
APPROVAL	DATE
ABC	4-2-62

INTERNATIONAL BUSINESS MACHINES CORP.	DATE	CHANGE NO.	APPROVAL	DATE	CHANGE NO.	APPROVAL	DEVELOPMENT NO.
NAME CARD ASM TSTR-ALLOY-OSC	6-16-62	115599					729895
347.5KC FREE RUNNING (CRYSTAL)	8-28-63	117802					
DESIGN							
DETAIL	RD	3-1-62	SCALE	NONE	19.2.64	TA 1841D	
CHECK	WH	3-1-62	DRAW	LIG	3-17-62		
APPRO			CHECK				

C