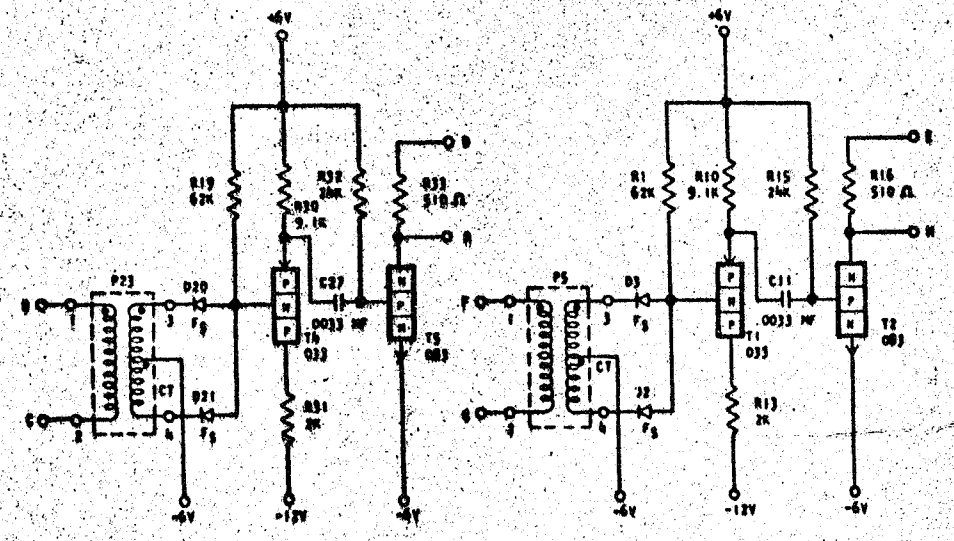
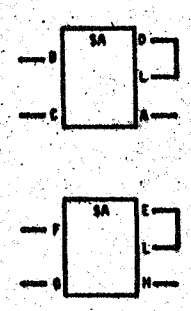


729896
STANDARD CODE

CARD CODE 729896
WL --

REFERENCE DRAWING
SEE PRODUCTION DRAWING 371898

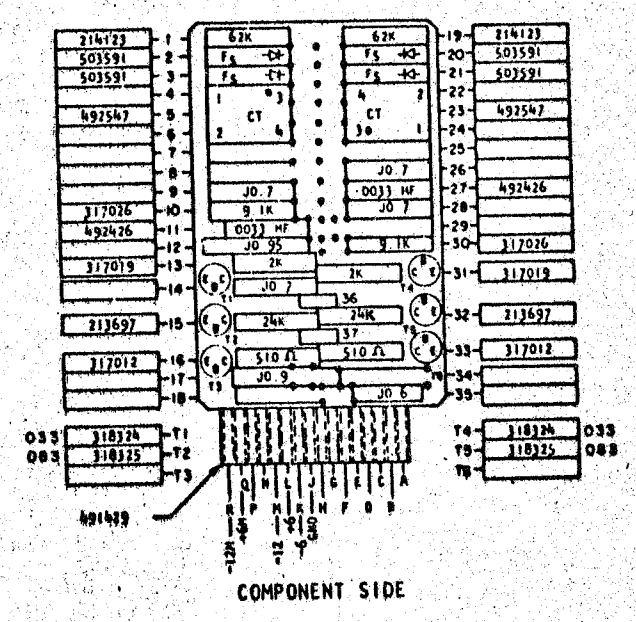
ALLOY-SENSE AMPLIFIER NO. 2
MOUNT CARD ON ONE INCH CENTERS



SEQUENCE OF OPERATION

1. WITH NO INPUT ALL TRANSISTORS ARE IN CONDUCTION; OUTPUT IS DOWN. E AND D ARE TIED TO +6V.
2. 50 MV MIN. P-P ACROSS B AND C IS STEPPED UP AND RECTIFIED APPEARING AS NEGATIVE SHIFT ON BASE OF T1. A NEGATIVE IV SHIFT FROM T1 EMITTER THEN TURNS T2 OFF AND THE OUTPUT IS UP.
3. AMPLIFIER OUTPUT DELAY IS 1.0 USEC MAXIMUM. AMPLIFIER DELAY SHALL BE DEFINED AS THE TIME TAKEN FROM THE 50% POINT ON THE RISE OF THE "ONE" SIGNAL TO THE 10% POINT OF THE LEADING EDGE VOLTAGE TRANSITION AT THE OUTPUT.

PINS	SIGNAL NAME	WAVE SHAPE	LEVELS	
			MIN	MAX
A, R, T	OUTPUT		UP 1.44	6.24
			DOWN -5.46	-6.24



CIRCUIT AND PACKAGING STANDARD	
APPROVAL	DATE
ABC	h-2-62

INTERNATIONAL BUSINESS MACHINES CORP.	DATE	CHANGE NO.	APPROVAL	DATE	CHANGE NO.	APPROVAL	DEVELOPMENT NO.
NAME: CARD ASM TSTR - ALLOY SENSE AMPLIFIER NO. 2	7-7-62	SC 115599					
DESIGN: SWS	90.8.63	7783687					
DETAIL: HQ 3-1-62	SCALE: NONE						
CHECK: WJ 3-1-62	DRAW: L19 1-17-62						
APPRO: CUREN							

729896