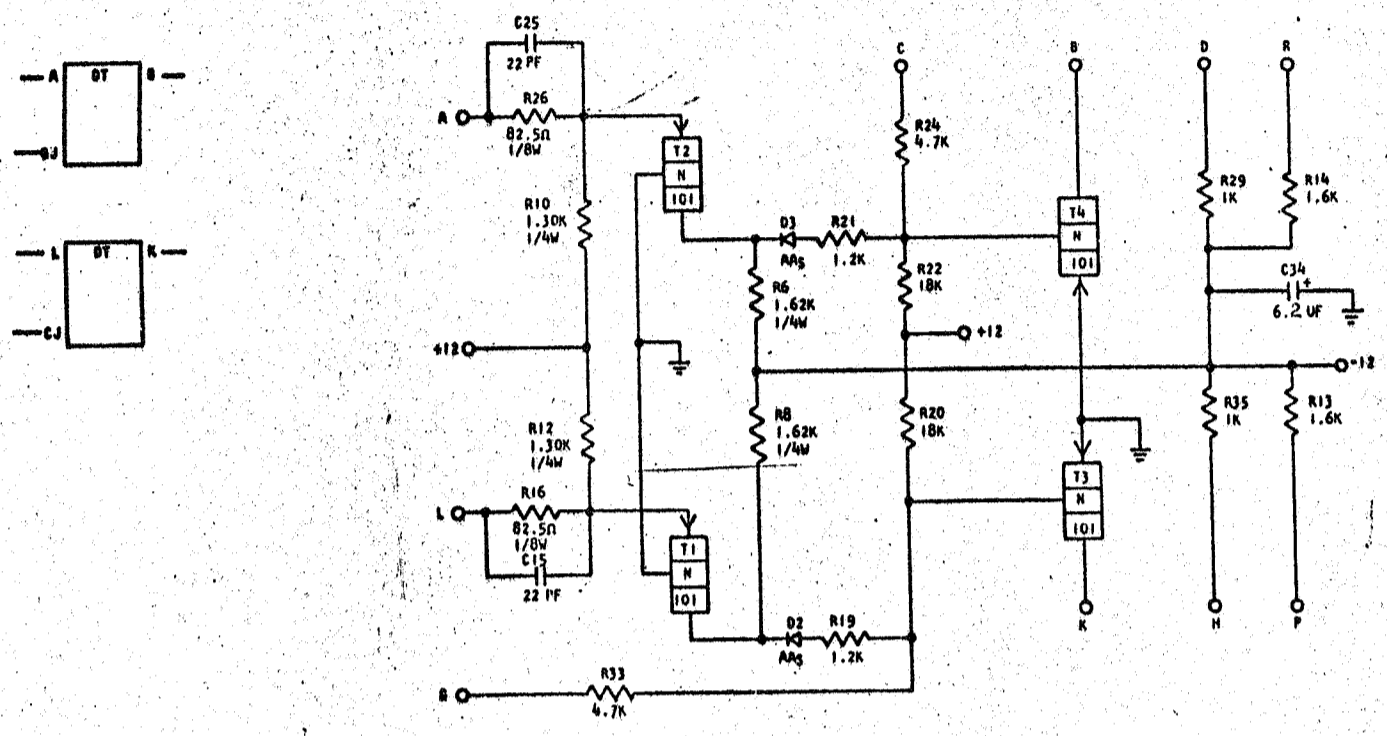


729905
STANDARD CODE

CARD CODE 729905
D C K -

REFERENCE DRAWING
SEE PRODUCTION DRAWING 370468

CONVERTER-DIFFUSED BASE N-LINE TO SDTRL OR SDTDL



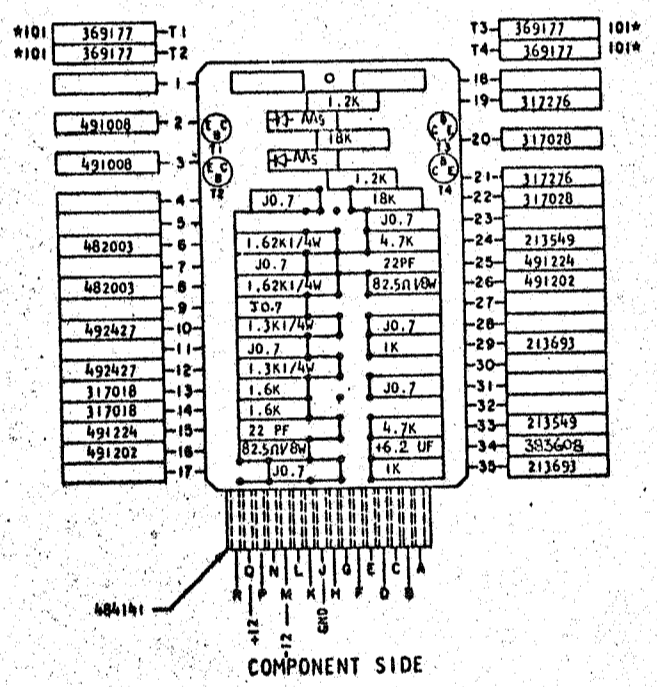
SEQUENCE OF OPERATION

1. WITH GATE INPUT UP OR TIED TO GROUND A DOWN INPUT AT A TURNS T2 OFF AND T4 ON AND GIVES AN UP OUTPUT
2. T4 AND T3 COLLECTORS MUST BE LOADED; 1.6K RESISTOR FOR SDTDL OUTPUT 1 K RESISTOR FOR SDTRL OUTPUT
3. IF THE 4.7K RESISTOR (PIN C, G) IS NOT TO BE USED, IT MUST BE TIED TO GROUND.

PINS	SIGNAL NAME	WAVE SHAPE	LEVELS	
			MIN	MAX
A, L	N INPUT		UP +0.4	DOWN -0.5
B, C	S GATE INPUT		UP -0.5	DOWN -0.8
D, K	S SDTDL OUTPUT		UP -0.65	DOWN -12.5
D, K	S SDTRL OUTPUT		UP -0.45	DOWN -12.5

DELAY - NSEC

	MINIMUM	MAXIMUM
TURN ON	50.0	72.0
TURN OFF	60.0	72.0



CIRCUIT AND PACKAGING STANDARD

APPROVAL	DATE
ABC	4-2-62

INTERNATIONAL BUSINESS MACHINES CORP.	DATE	CHANGE NO.	APPROVAL	DATE	CHANGE NO.	APPROVAL	DEVELOPMENT NO.
WANT CARD ASM YSTR- CONVERTER-DIFFUSED BASE-LINE TO SDTRL OR SDTDL	6-17-62	EC 115599					
	30-6-63	JTB3687					
DESIGN	RQ	3-1-62	SCALE	NONE			
CHECK	WN	3-1-62	DRAW	LIG. 3-17-62			
APPRO			CHECK				

729905