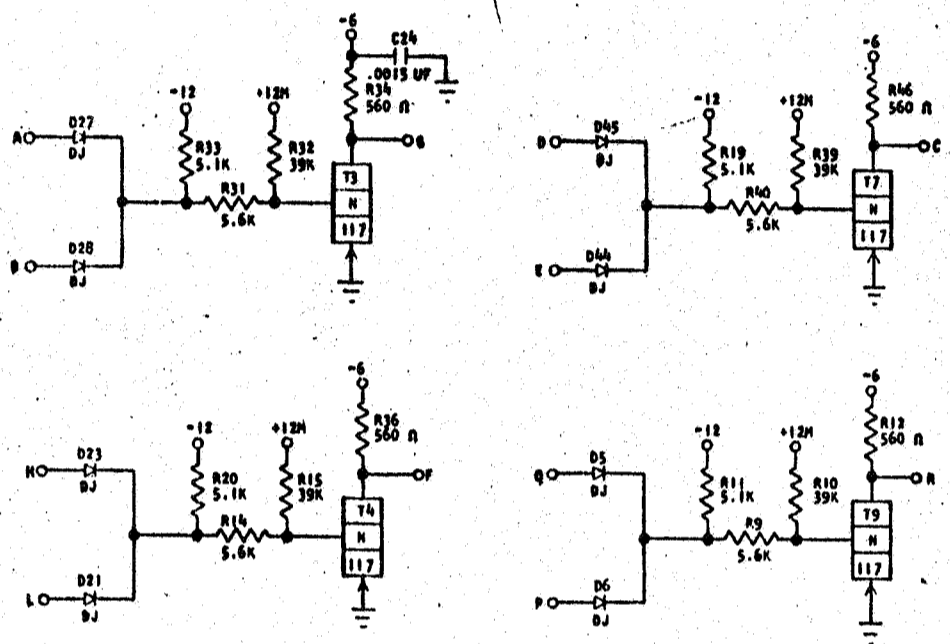
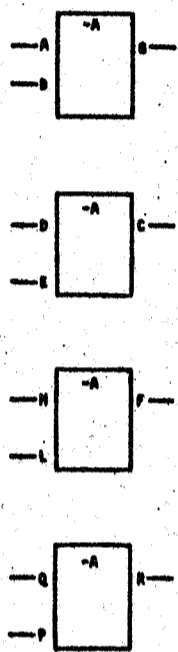


729913
STANDARD CODE

CARD CODE 729913
DGT -

REFERENCE DRAWING
SEE PRODUCTION DRAWING 370380

SDTDL-2 WAY LOGIC BLOCK LOW SPEED WITH LOADS



SEQUENCE OF OPERATION

1. ALL INPUTS DOWN TRANSISTOR ON OUTPUT UP
2. ANY INPUT UP TRANSISTOR OFF OUTPUT DOWN
3. LOGIC BLOCKS MAY HAVE SYMBOLS OTHER THAN SHOWN,

PINS	SIGNAL NAME	WAVE SHAPE	LEVELS	
			MIN	MAX
A, D, H, Q	Y INPUT		UP	-.65 - .1
B, E, L, P	Y INPUT		DOWN	-5.81 - -8.8
B, C, F, R	Y OUTPUT		UP	-.65 - .1
			DOWN	-5.81 - -8.8

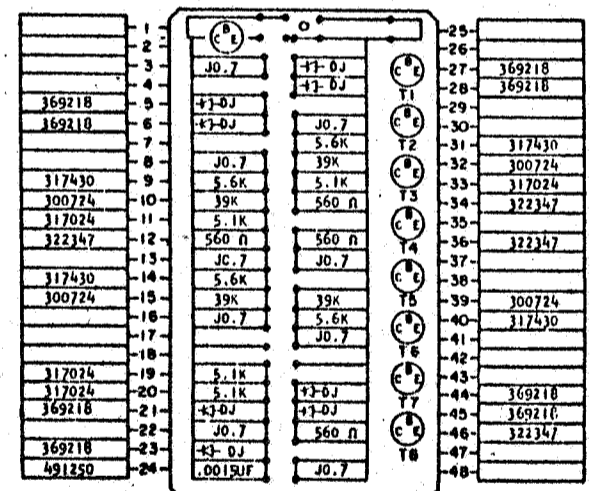
DELAY: SDTDL - LOW SPEED

LOGIC BLOCK WITH 560 OHM COLLECTOR RESISTOR

TURN ON (NSEC)	MIN	MAX
TURN OFF (NSEC)	75	100
	40	200

*THIS DELAY CAN INCREASE TO 200 NSEC WHEN THE DRIVING BLOCK HAS 6.2K COLLECTOR RESISTOR RETURNED TO -12V.

**THIS DELAY CAN INCREASE TO 350 NSEC WHEN THE DRIVING BLOCK OR THE BLOCK THAT DRIVES THE DRIVING BLOCK HAS 6.2K COLLECTOR RESISTOR RETURNED TO -12V.



COMPONENT SIDE

CIRCUIT AND PACKAGING STANDARD	
APPROVAL	DATE
ABC	4-2-62

INTERNATIONAL BUSINESS MACHINES CORP.				DATE	CHANGE NO.	APPROVAL	DATE	CHANGE NO.	APPROVAL	DEVELOPMENT NO.
NAME CARD ASM YSTR-SDTDL-2-WAY				4-17-62	EC 115599					
LOGIC BLOCK LOW SPEED WITH LOADS				9-9-62	JT 83687					
DESIGN	MODL	SHS								
DETAIL RQ	3-1-62	SCALE	NONE							
CHECK WH	3-1-62	DRAW LIG	3-17-62							
APPRO		CHECK								

729913