

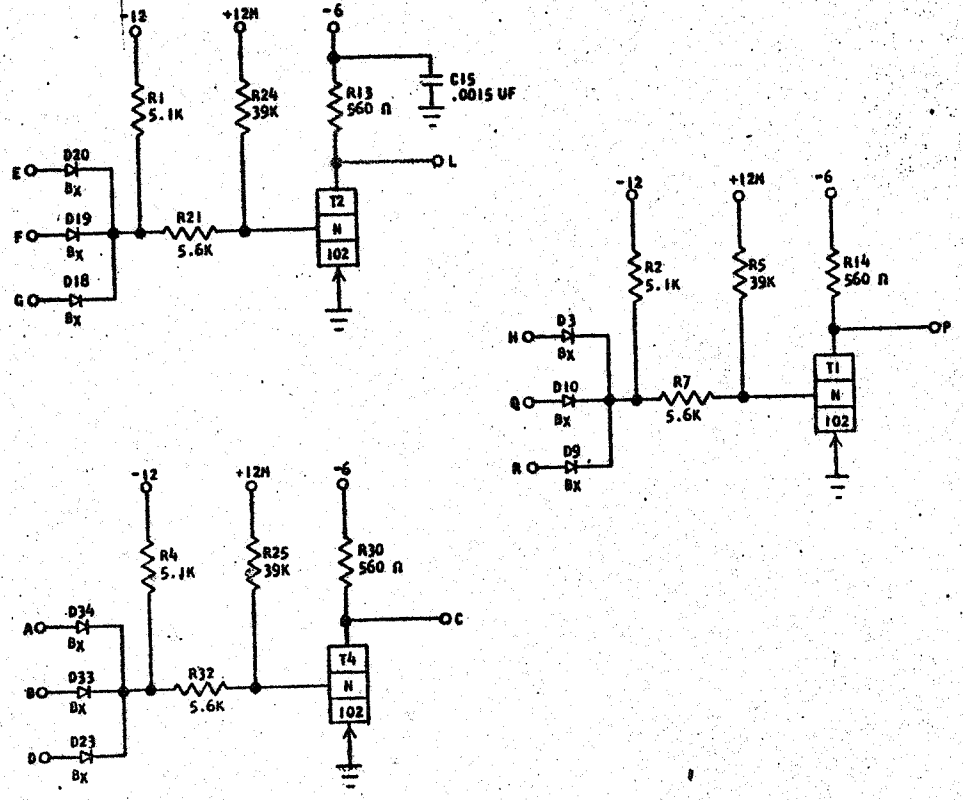
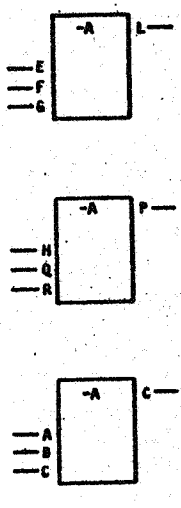
729915

STANDARDS CODE

CARD CODE 729915
D. G. V.

REFERENCE DRAWING
SEE PRODUCTION DRAWING 370378

SDTDL - 3-WAY LOGIC BLOCK LOW SPEED WITH LOADS



SEQUENCE OF OPERATION

1. ALL INPUTS DOWN TRANSISTOR ON OUTPUT UP
2. ANY INPUT UP TRANSISTOR OFF OUTPUT DOWN
3. LOGIC BLOCKS MAY HAVE SYMBOLS OTHER THAN SHOWN.

PINS	SIGNAL NAME	WAVE SHAPE	LEVELS	
			MIN	MAX
E, H, A	Y INPUT	[Waveform: High level]	UP	- .65 - .1
F, Q, B	Y INPUT	[Waveform: Low level]	DOWN	-5.81 -8.8
G, R, D	Y INPUT	[Waveform: High level]	UP	- .65 - .1
L, P, C	Y OUTPUT	[Waveform: Low level]	DOWN	-5.81 -8.8

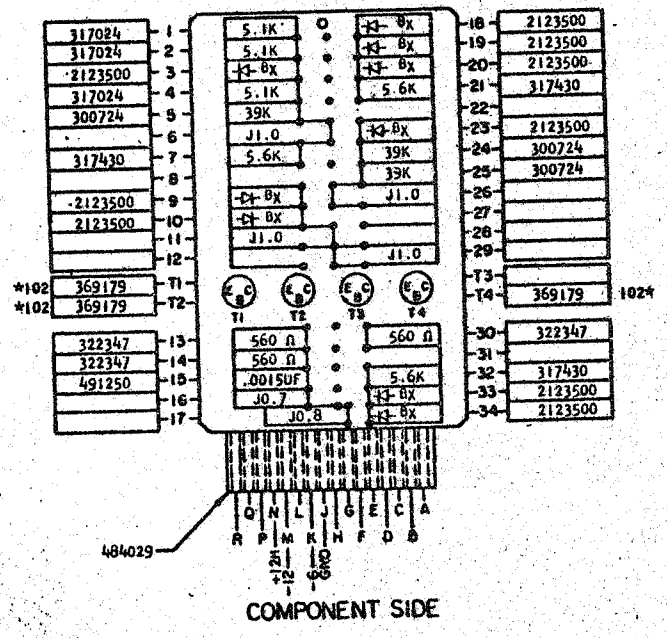
DELAY: SDTDL - LOW SPEED

LOGIC BLOCK WITH 560 OHM COLLECTOR RESISTOR.

	MIN.	MAX.
TURN ON (NSEC)	75	100 [±]
TURN OFF (NSEC)	40	200 [±]

*THIS DELAY CAN INCREASE TO 200 NSEC WHEN THE DRIVING BLOCK HAS 6.2K COLLECTOR RESISTOR RETURNED TO -12V.

**THIS DELAY CAN INCREASE TO 350 NSEC WHEN THE DRIVING BLOCK OR THE BLOCK THAT DRIVES THE DRIVING BLOCK HAS 6.2K COLLECTOR RESISTOR RETURNED TO -12V.



COMPONENT SIDE

CIRCUIT AND PACKAGING STANDARD	
APPROVAL	DATE
ABC	4-2-62

INTERNATIONAL BUSINESS MACHINES CORP.				DATE	CHANGE NO.	APPROVAL	DATE	CHANGE NO.	APPROVAL	DEVELOPMENT NO.
NAME CARD ASM TSTR-SDTDL-3-WAY LOGIC BLOCK LOW SPEED WITH LOADS				6-29-62	115599					
DESIGN	RQ	3-1-62	SCALE	NONE						
CHECK	WH	3-1-62	DRAWN	LIG	3-17-62					
APPRO			CHECK							

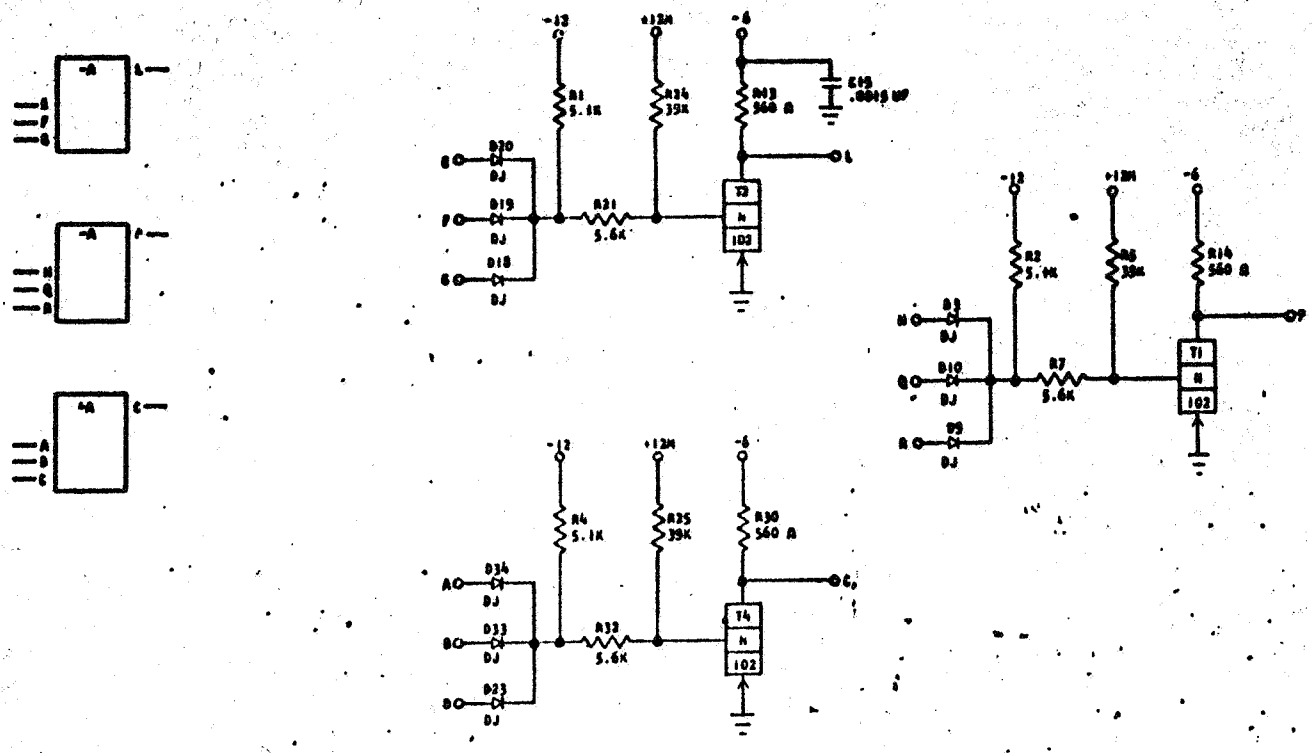
729915

729915

729915
DCV-

REFERENCE DRAWING
SEE PRODUCTION DRAWING 370378

SDTDL - 3-WAY LOGIC BLOCK LOW SPEED WITH LOADS



- SEQUENCE OF OPERATION**
1. ALL INPUTS DOWN TRANSISTOR ON OUTPUT UP
 2. ANY INPUT UP TRANSISTOR OFF OUTPUT DOWN
 3. LOGIC BLOCKS MAY HAVE SYMBOLS OTHER THAN SHOWN.

PINS	SIGNAL NAME	WAVE SHAPE	LEVELS	
			MIN	MAX
E, H, A	Y	INPUT	UP	-0.65 - -1
			DOWN	-5.81 - -8.8
F, Q, B	Y	INPUT	UP	-0.65 - -1
			DOWN	-5.81 - -8.8
G, R, D	Y	INPUT	UP	-0.65 - -1
			DOWN	-5.81 - -8.8
L, P, C	Y	OUTPUT	UP	-0.65 - -1
			DOWN	-5.81 - -8.8

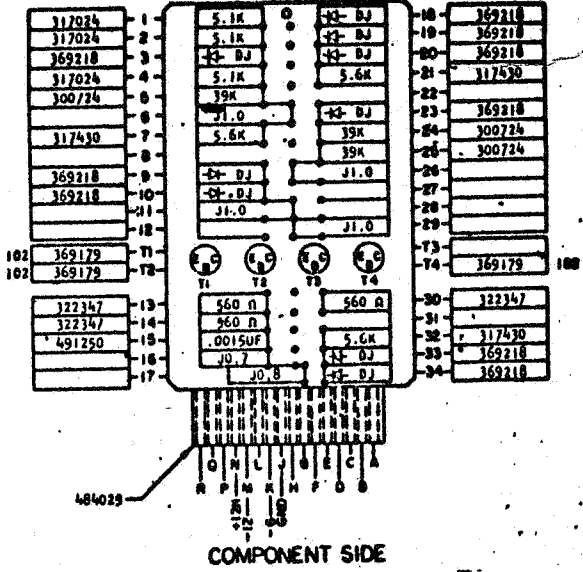
DELAY: SDTDL - LOW SPEED

LOGIC BLOCK WITH 560 OHM COLLECTOR RESISTOR

TURN ON (NSEC)	MIN 75	MAX 160
TURN OFF (NSEC)	40	300

*THIS DELAY CAN INCREASE TO 300 NSEC WHEN THE DRIVING BLOCK HAS 5.2K COLLECTOR RESISTOR RETURNED TO -12V.

*THIS DELAY CAN INCREASE TO 350 NSEC WHEN THE DRIVING BLOCK OR THE BLOCK THAT DRIVES THE DRIVING BLOCK HAS 5.2K COLLECTOR RESISTOR RETURNED TO -12V.



CIRCUIT AND PACKAGING STANDARD	
APPROVAL	DATE
ABC	6-2-62

INTERNATIONAL BUSINESS MACHINES CORP.	DATE	CHANGE NO.	APPROVAL	DATE	CHANGE NO.	APPROVAL	DEVELOPMENT NO.
NAME CARD ASM YSTR-SDTDL-3-WAY	4-21-62	118599					
LOGIC BLOCK LOW SPEED WITH LOADS	1-3-63	EQ 116034					
DESIGN RQ 3-1-62							
EMCCR WH 3-1-62							
APPRO							

C

729915