

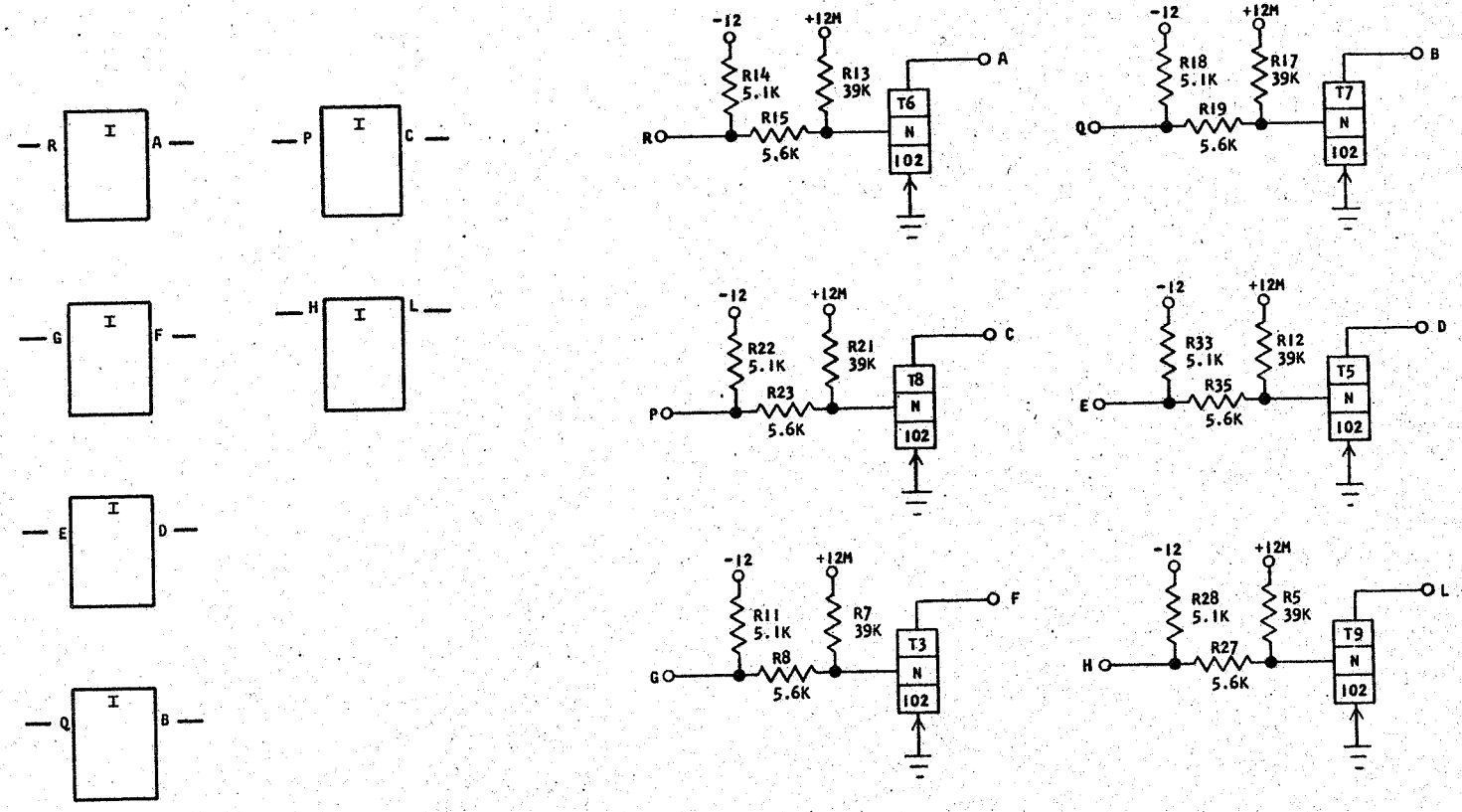
STANDARDS CODE

729922

CARD CODE 729922
D H C -

REFERENCE DRAWING
SEE PRODUCTION DRAWING 370372

SDTDL INVERTER LOW SPEED W/O LOAD



SEQUENCE OF OPERATION

1. INPUT DOWN TRANSISTOR ON OUTPUT UP
2. INPUT UP TRANSISTOR OFF OUTPUT DOWN
3. ALL COLLECTORS MUST BE LOADED
4. LOGIC BLOCKS MAY HAVE SYMBOLS OTHER THAN SHOWN.

PINS	SIGNAL NAME	WAVE SHAPE	LEVELS	
			MIN	MAX
R, Q, P, E, G, H	Y INPUT	[Diagram showing a step function]	UP	-0.65 -0.1
A, B, C, D, F, L	Y OUTPUT	[Diagram showing an inverted step function]	DOWN	-5.81 -8.8
			UP	-0.65 -0.1
			DOWN	-5.81 -8.8

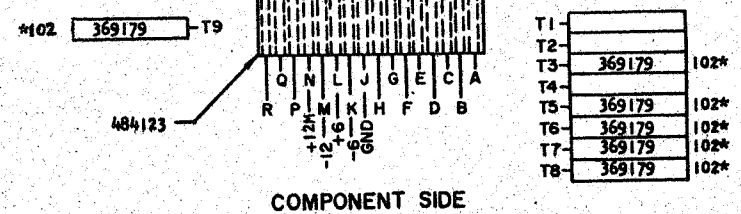
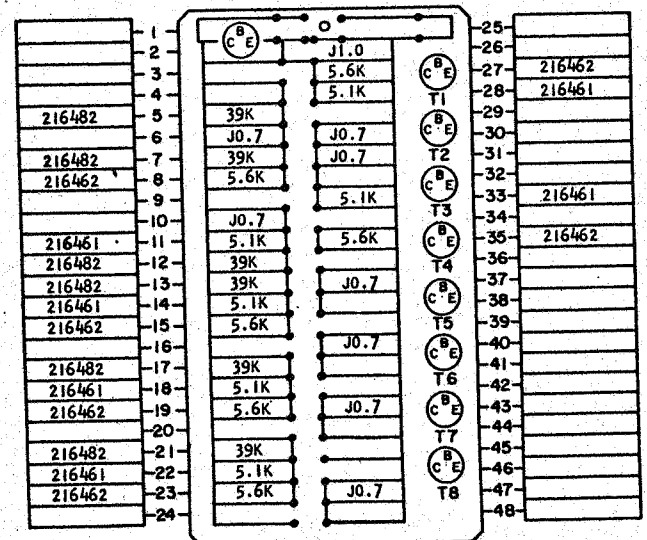
DELAY: SDTDL - LOW SPEED

LOGIC BLOCK WITH 560 OHM COLLECTOR RESISTOR

	MIN.	MAX.
TURN ON (NSEC)	75	100**
TURN OFF (NSEC)	40	200**

*THIS DELAY CAN INCREASE TO 200 NSEC WHEN THE DRIVING BLOCK HAS 6.2K COLLECTOR RESISTOR RETURNED TO -12V.

**THIS DELAY CAN INCREASE TO 350 NSEC WHEN THE DRIVING BLOCK OR THE BLOCK THAT DRIVES THE DRIVING BLOCK HAS 6.2K COLLECTOR RESISTOR RETURNED TO -12V.



COMPONENT SIDE

CIRCUIT AND PACKAGING STANDARD	
APPROVAL	DATE
ABC	4-2-62

INTERNATIONAL BUSINESS MACHINES CORP.				DATE	CHANGE NO.	APPROVAL	DATE	CHANGE NO.	APPROVAL	DEVELOPMENT NO.
NAME CARD ASM TSTR- SDTDL				62	115599					729922
INVERTER LOW SPEED W/O LOAD										
DESIGN	RQ	3-1-62	SCALE	SMS						
DETAIL	WH	3-1-62	DRAW	NONE						
CHECK	WH	3-1-62	LIG	3-17-62						
APPRO			CHECK							

729922