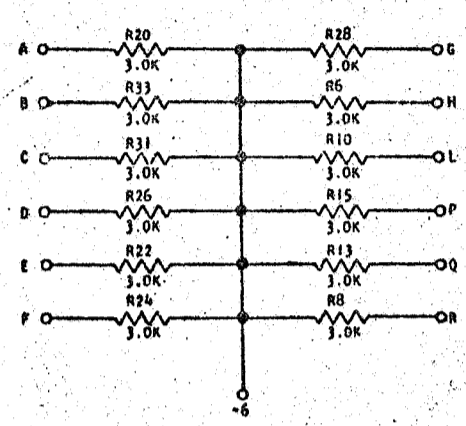


729923  
 STANDARD CODE

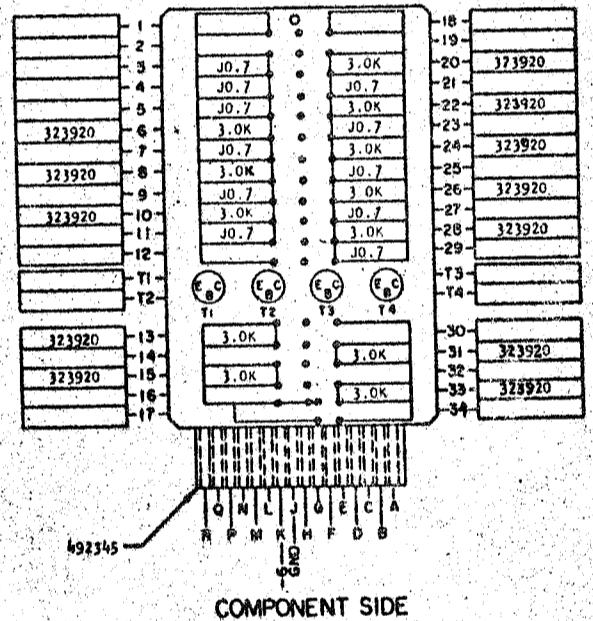
CARD CODE 729923  
 JMD -

**REFERENCE DRAWING**  
 SEE PRODUCTION DRAWING 370371

**SOTDL AND SOTRL 3K RESISTOR LOAD**



**APPLICATION**  
 1. FOR COLLECTOR LOADING OF SOTDL AND SOTRL CARDS



COMPONENT SIDE

CIRCUIT AND PACKAGING STANDARD	
APPROVAL	DATE
ABC	4-2-62

INTERNATIONAL BUSINESS MACHINES CORP.				DATE	CHANGE NO.	APPROVAL	DATE	CHANGE NO.	APPROVAL	DEVELOPMENT NO.
NAME CARD ASM TSTR-SOTDL AND SOTRL 3K RESISTOR CARD				4-29-62	EC 115599					
				50.4.68	JT 83687					
DESIGN	RQ	3-1-62	SCALE	SMS						
DETAILS	WH	3-1-62	DRAWN	NONE						
CHECK	WH	3-1-62	DRAWN	LIG 3-17-62						
APPRO			CHECK							

729923

C