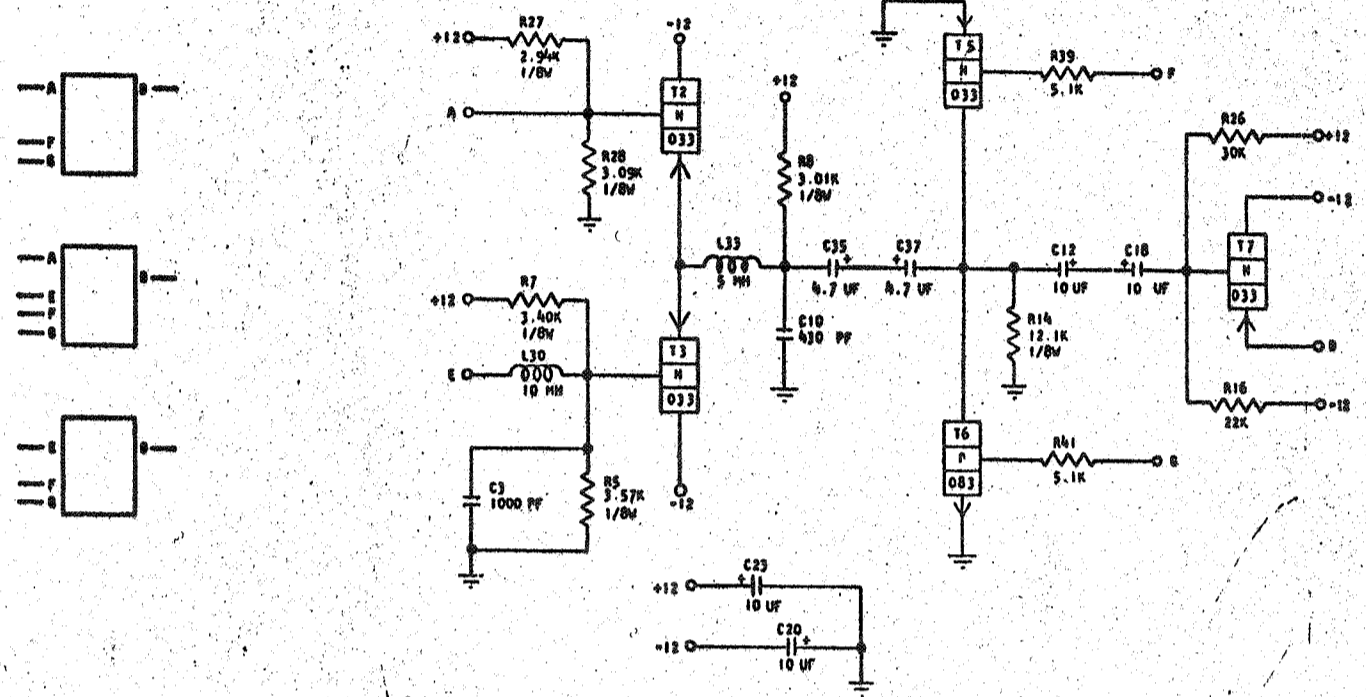


REFERENCE DRAWING

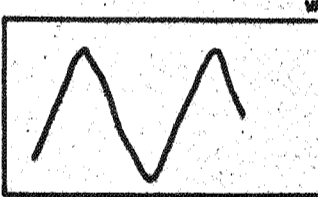
SEE PRODUCTION DRAWING 370417

SENSE AMPLIFIER - INPUT FILTER AND SELECT GATE
MOUNT CARD ON ONE INCH CENTERS NOTE XXX



SEQUENCE OF OPERATION

1. PIN F AT +12V AND PIN G AT -12V FROM GATE ON SIGNAL MAP CARD
2. PIN B WAVE FORM WILL BE SAME AS INPUT WAVE FORM
3. TRANSISTOR THAT DOES NOT HAVE INPUT IS CUT OFF



WAVE FORMS
INPUT WAVE BY P-P PIN A FOR 729
PIN E FOR 7330
MAX 8.0 P-P
REFERENCE LEVEL BY +1.2
-1.0

1						25					
2	350453	JO.7	30K			26	322870				
3		1300 PF	2.94K/1/8W			27	479127				
4	479132	JO.7	3.09K/1/8W			28	491263				
5		3.57K/1/8W				29					
6			10 MH			30	317346				
7	492169	3.40K/1/8W	JO.7			31					
8	479128	3.01K/1/8W				32					
9			5 MH			33	491290				
10	350443	430 PF				34					
11			4.7UF +			35	492559				
12	124588	+10 UF				36					
13			4.7UF +			37	492559				
14	479167	12.1K 1/8W				38					
15			5.1K			39	317024				
16	323920	22K	JO.7			40					
17		JO.7	5.1K			41	317024				
18	124588	+10 UF				42					
19			JO.7			43					
20	124588	+10 UF				44					
21			JO.7			45					
22		JO.7	JO.7			46					
23	124588	+10 UF				47					
24						48					

T1									
T2	318324	033							
T3	318324	033							
T4									
T5	318324	033							
T6	318325	083							
T7	318324	033							
T8									

COMPONENT SIDE

CIRCUIT AND PACKAGING STANDARD	
APPROVAL	DATE
ABC	4-2-62

INTERNATIONAL BUSINESS MACHINES CORP.	DATE	CHANGE NO.	APPROVAL	DATE	CHANGE NO.	APPROVAL	DEVELOPMENT NO.
NAME CARD ASM TEST-SENSE APPL	6-27-62	EC 115599					729948
INPUT FILTER AND SELECT GATE	30.4.63	JT 83687					
DESIGN HQ	3-1-62	SCALE	NONE				
CHECK BY	3-1-62	DRAW	ALG 3-17-62				
APPRO		CHECK					

729948