

729953

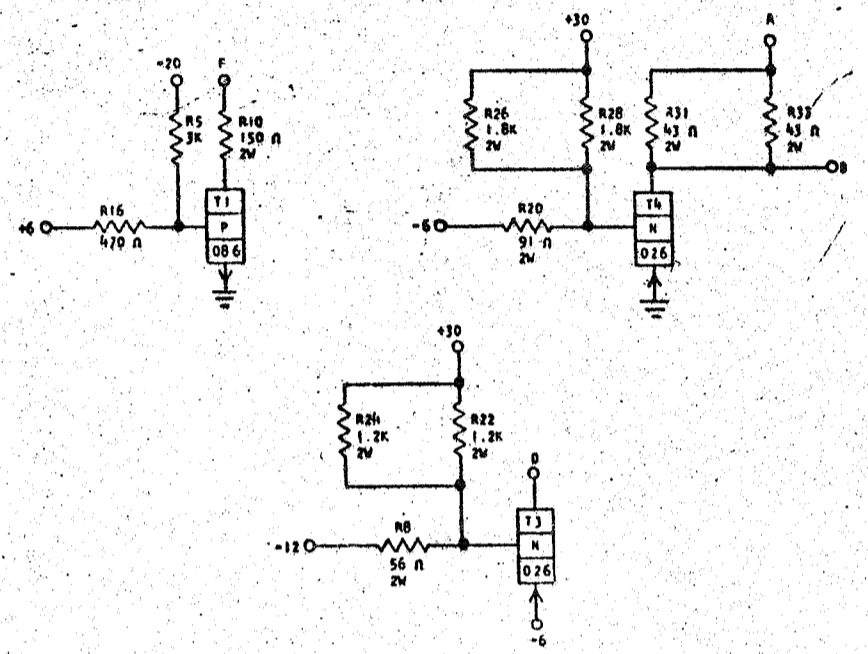
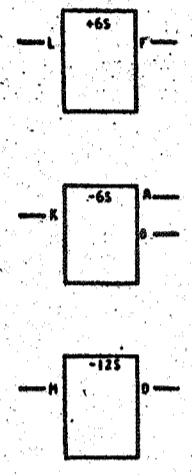
STANDARD CODE

CARD CODE 729953  
A J H -

REFERENCE DRAWING

SEE PRODUCTION DRAWING 370429

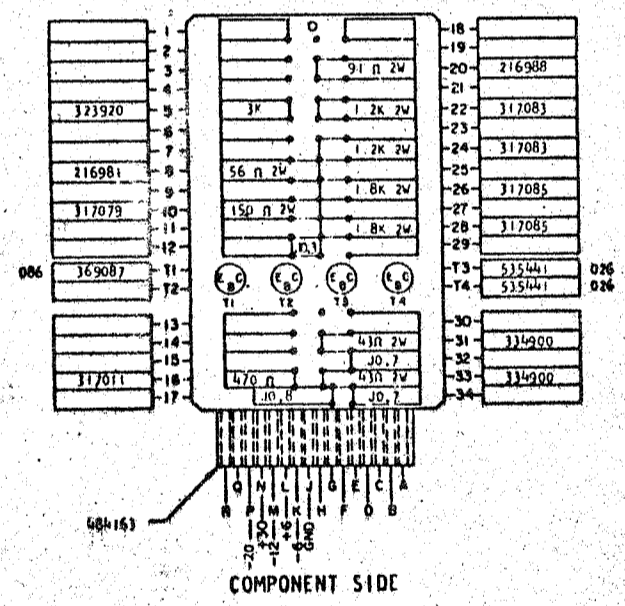
POWER SUPPLY SEQUENCING



SEQUENCE OF OPERATIONS

1. THESE THREE CIRCUITS ARE SINGLE-STAGE RELAY DRIVERS, USED TO SENSE A GIVEN VOLTAGE. IF PRESENT, THIS VOLTAGE ALLOWS A TRANSISTOR TO CONDUCT AND OPERATE A RELAY IN THE COLLECTOR CIRCUIT. IF THIS VOLTAGE DROPS OUT DURING NORMAL OPERATIONS THE RELAY WILL ALSO DROP.
2. THE OUTPUT VOLTAGE LEVEL WHEN THE TRANSISTORS ARE OFF DEPENDS UPON THE RETURN VOLTAGE OF THE RELAY IN THE COLLECTOR CIRCUIT.
3. THE +6 VOLT SENSE (T1) MAY OPERATE A RELAY RETURNED TO NO MORE THAN 35 VOLTS, THE -6 VOLT SENSE (T4) 45 VOLTS, AND THE -12 VOLT SENSE (T3) 40 VOLTS.

PINS	SIGNAL NAME	WAVE SHAPE	LEVELS	
			MIN	MAX
K	V -6	[Waveform]	UP	-1.1 +.24
			DOWN	-5.76 -6.24
D	OUTPUT	[Waveform]	UP	-.24 +.24
		SEE NOTE 2	DOWN	
A	OUTPUT	[Waveform]	UP	-.24 +.24
		SEE NOTE 2	DOWN	
L	V +6	[Waveform]	UP	+5.76 +6.24
			DOWN	+1.8 -.24
F	OUTPUT	[Waveform]	UP	+.24 -.24
		SEE NOTE 2	DOWN	
H	V -12	[Waveform]	UP	-1.0 +.24
			DOWN	-11.52 -12.48
B	OUTPUT	[Waveform]	UP	-6.24 -5.76
		SEE NOTE 2	DOWN	



CIRCUIT AND PACKAGING STANDARD	
APPROVAL	DATE
ABC	4-2-62

INTERNATIONAL BUSINESS MACHINES CORP.				DATE	CHANGE NO.	APPROVAL	DATE	CHANGE NO.	APPROVAL	DEVELOPMENT NO.
NAME CARD ASM TSTR-				3-1-62	EC 115599					
POWER SUPPLY SEQUENCING				3-4-63	TT 83687					
DESIGN	RQ	3-1-62	SCALE	NONE						
CHECK	WH	3-1-62	DRAWN	LIG	3-12-62					
APPROV			CHECK							

C

729953