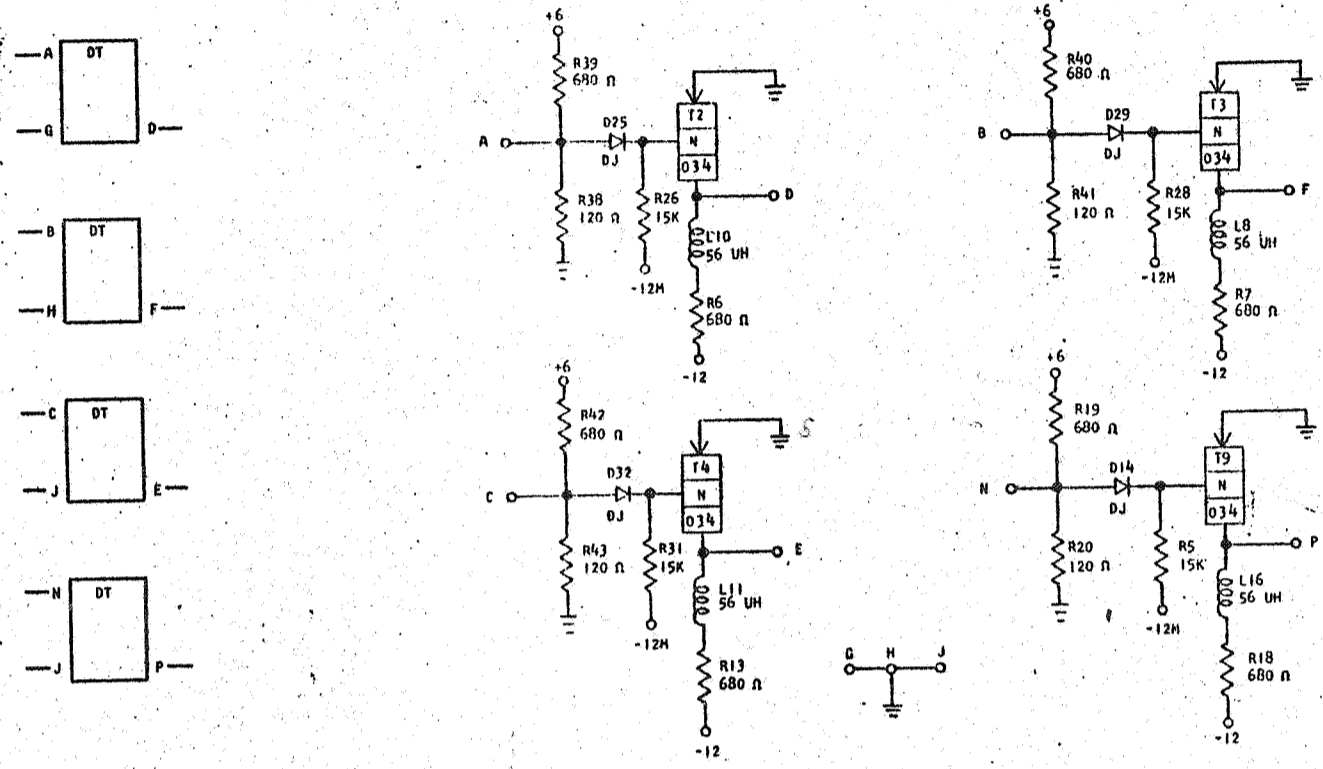


STANDARDS CODE
729815

CARD CODE 729815
CED -

REFERENCE DRAWING
SEE PRODUCTION DRAWING 370145

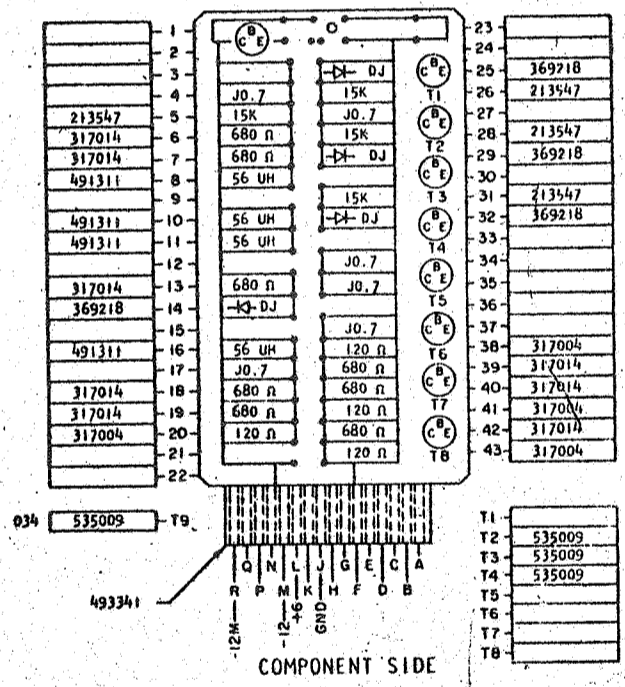
STANDARD CABLE TERMINATOR



- SEQUENCE OF OPERATION
1. INPUT DOWN TRANSISTOR ON OUTPUT UP
 2. INPUT UP TRANSISTOR OFF OUTPUT DOWN

PINS	SIGNAL NAME	WAVE SHAPE	LEVELS	
			MIN	MAX
A, B, C, N	INPUT		UP	0.65 1.03
G, H, J	GROUND		DOWN	-0.37 -4.46
D, F, E, P	OUTPUT		UP	-0.54 0.24
			DOWN	-7.44 -12.5

DELAY - USEC		
TURN ON	MINIMUM	MAXIMUM
TURN OFF	115.0	220.0
	127.0	312.0



CIRCUIT AND PACKAGING STANDARD	
APPROVAL	DATE
ABC	4-2-62

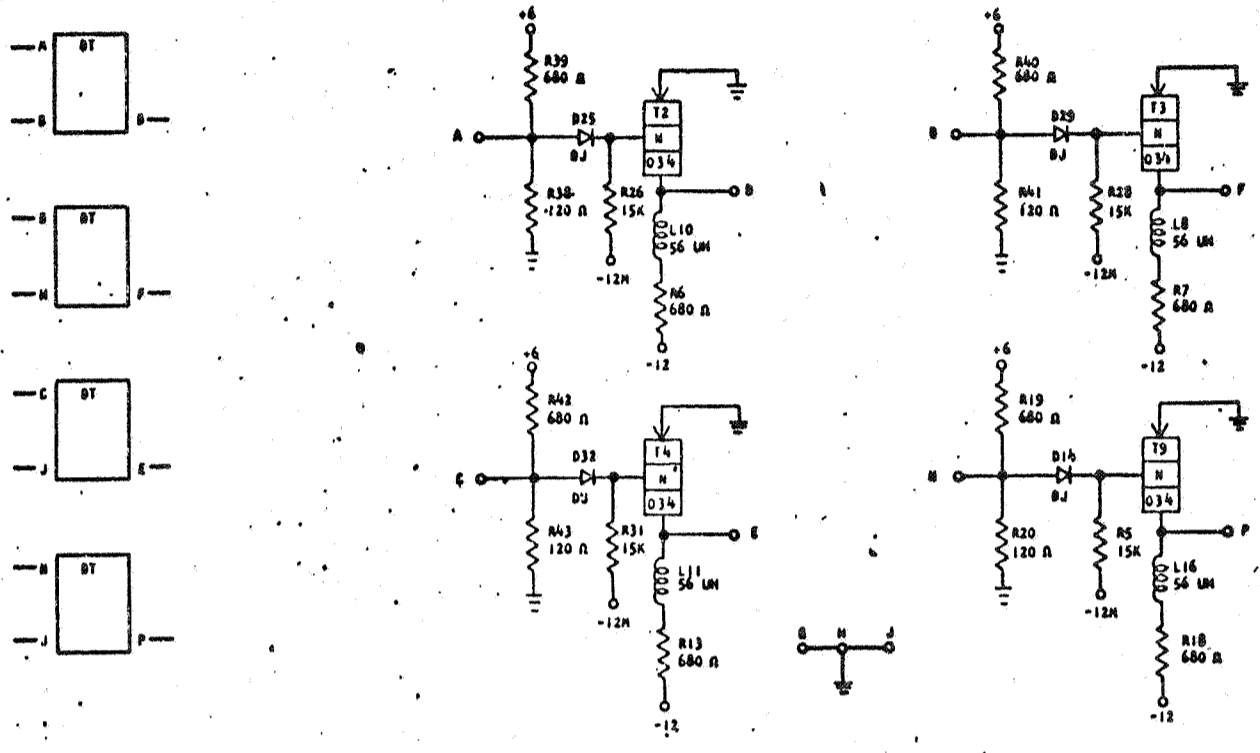
INTERNATIONAL BUSINESS MACHINES CORP.							
NAME	DATE	CHANGE NO.	APPROVAL	DRG	CHANGE NO.	APPROVAL	DEVELOPMENT NO.
CARD ASM TSTR - STANDARD	4-62	115599					729815
CABLE TERMINATOR							
DESIGN	MODEL	SHS					
DETAIL	RQ 3-1-62	SCALE NONE					
CHECK	WH 3-1-62	DRAW LIG 3-17-62					
APPRO	CHECK						

729815
STANDARD BOARD

729815
C E D -

REFERENCE DRAWING
SEE PRODUCTION DRAWING 370145

CTDL SIMPLEX INTERFACE TERMINATOR

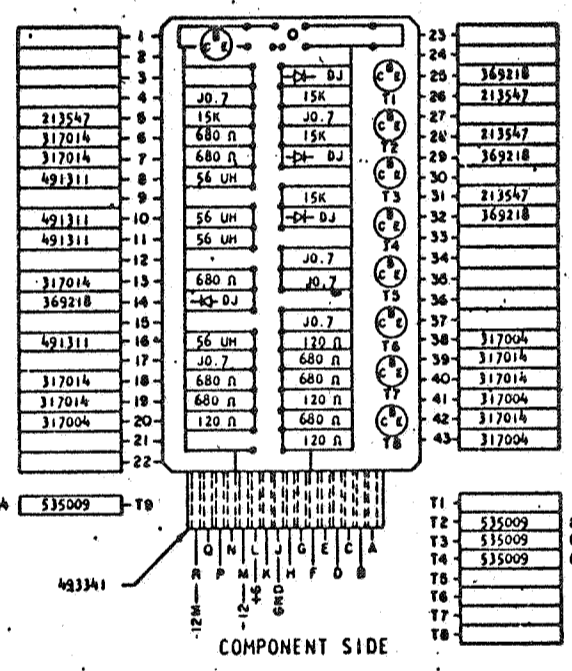


- SEQUENCE OF OPERATION
1. INPUT DOWN TRANSISTOR ON OUTPUT UP
 2. INPUT UP TRANSISTOR OFF OUTPUT DOWN

PINS	SIGNAL NAME	WAVE SHAPES	LEVELS	
			MIN	MAX
A, B, C, H	INPUT	[Waveform]	UP 0.65	1.07
G, M, J	GROUND	[Waveform]	DOWN -0.37	-4.46
D, F, E, P	OUTPUT	[Waveform]	UP -.54	0.24
			DOWN -7.44	-12.5

DELAY - USEC

	MINIMUM	MAXIMUM
TURN ON	115.0	220.0
TURN OFF	137.0	312.0



CIRCUIT AND PACKAGING STANDARD

APPROVAL	DATE
ABC	4-2-62

INTERNATIONAL BUSINESS MACHINES CORP.	DATE	CHANGE NO.	APPROVAL	DATE	CHANGE NO.	APPROVAL	DEVELOPMENT NO.
NAME CARD ASM TSTR - CTDL	4-29-62	115599					729815
STAPLER INTERFACE TERMINATOR	1-3-63	116034					
DESIGNER	MODEL	SCALE					
DETAIL	3-1-62	SCALE	NONE				
CHECK	WH	3-1-62	DRAW	LIG	3-17-62		
APPRO			CHECK				