

370975

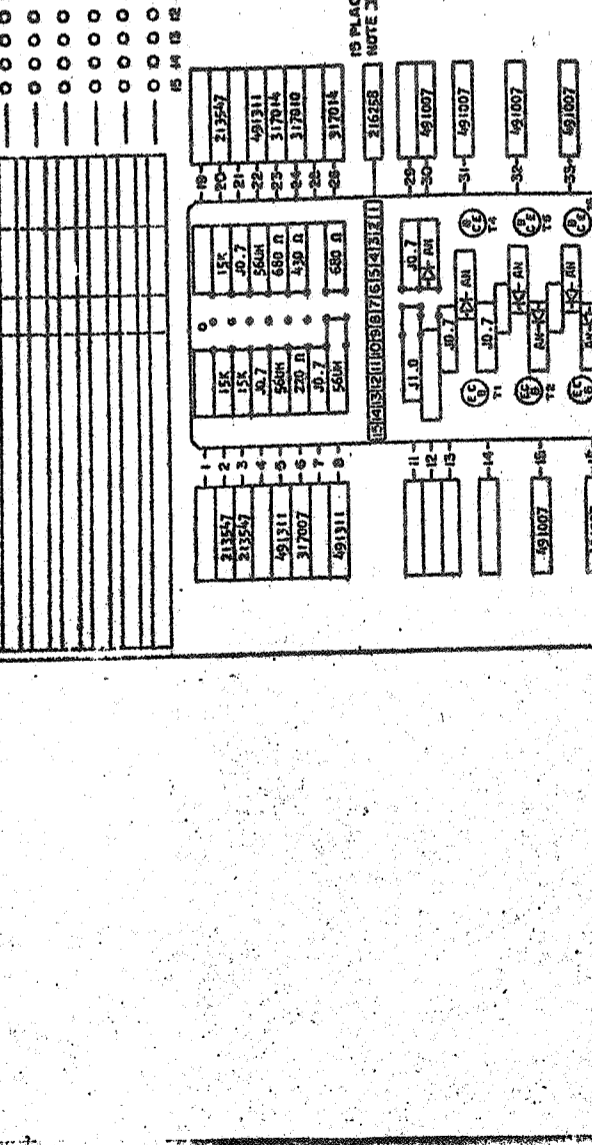
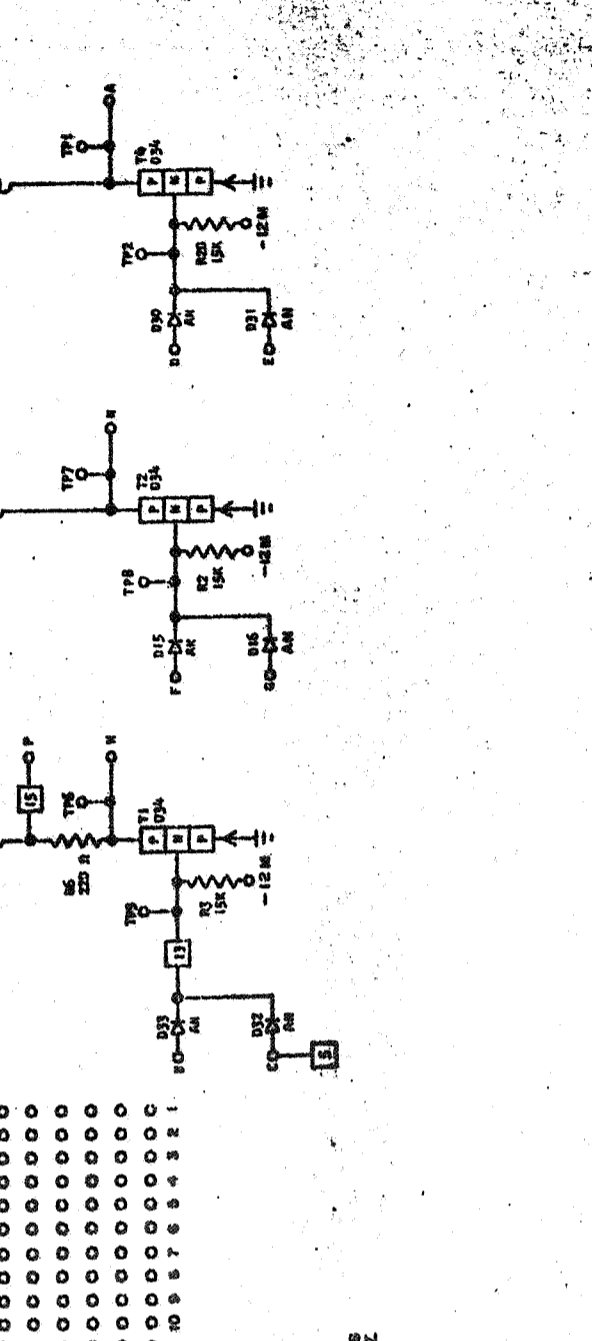
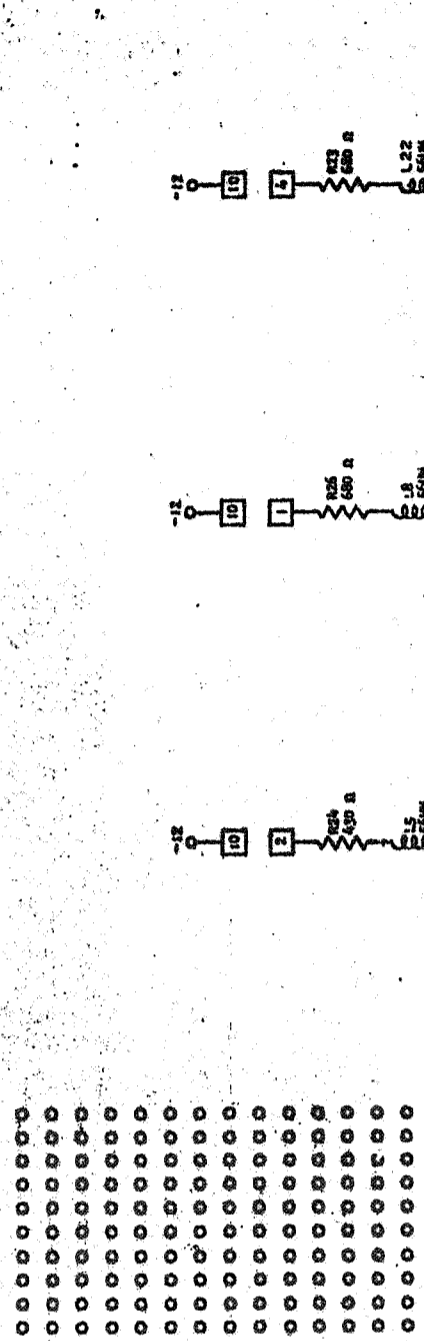
CTDL TWO WAY AND PHP  
FIELD REPLACEMENT

DISCONTINUED

370975

CARD CODE	2-7048
STANDARD CODE	C6

CAP CONFIGURATION	
15	0
16	0
17	0
18	0
19	0
20	0
21	0
22	0
23	0
24	0
25	0
26	0
27	0
28	0
29	0
30	0
31	0
32	0
33	0
34	0
35	0
36	0
37	0
38	0
39	0
40	0
41	0
42	0
43	0
44	0
45	0
46	0
47	0
48	0
49	0
50	0
51	0
52	0
53	0
54	0
55	0
56	0
57	0
58	0
59	0
60	0
61	0
62	0
63	0
64	0
65	0
66	0
67	0
68	0
69	0
70	0
71	0
72	0
73	0
74	0
75	0
76	0
77	0
78	0
79	0
80	0
81	0
82	0
83	0
84	0
85	0
86	0
87	0
88	0
89	0
90	0
91	0
92	0
93	0
94	0
95	0
96	0
97	0
98	0
99	0
100	0



INTERNATIONAL NUMBER	370975
MANUFACTURE NUMBER	370975
DATE	11-4-60
APPROVAL	105842
CHANGE NO.	11-4-60 1109300
APPROVAL	10817
REVISION	1WB
DESIGN	1WB
DETAIL	1WB
SCALE	NONE
TYPES	NONE
CHECKED	11-4-60
APPROVED	11-4-60

NOTES  
 I CIRCUIT MUST CONFORM TO ENGINEERING SPECIFICATION 691071  
 II ASSEMBLE TO ENGINEERING SPECIFICATION 691071  
 III ALL RESISTORS ARE 1/2 WATT AND ±5% UNLESS OTHERWISE NOTED  
 IV 10% TOLERANCE BLOCK IDENTIFIES BARE WIRE JUMPER.  
 V REFERENCE-216259 MALE CONTACT STRIP TO BE USED AS REQUIRED TO PROGRAM DESIRED CAP CODE

APPROVAL  
 DATE 7-2-60  
 N.D. [Signature]