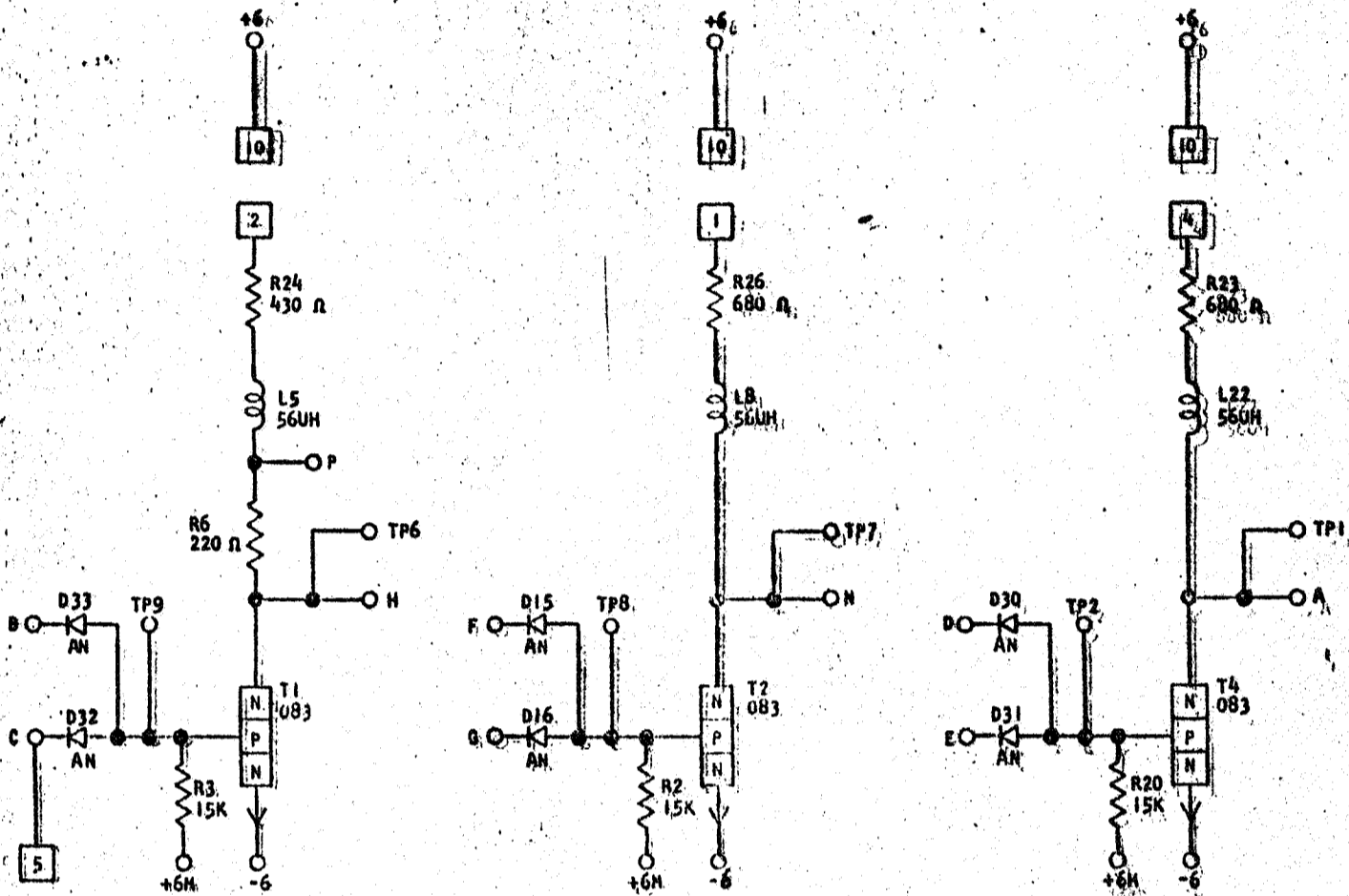


CEDDL TWO WAY AND NPN  
FIELD REPLACEMENT

CARD CODE	STANDARD CODE	370976
CH **	2-7045	

DISCONTINUED



SHEET 4 OF 23. E.C. 109642

SECTION 108 B

INTERNATIONAL BUSINESS MACHINES CORP.	DATE	CHANGE NO.	APPROVAL	DATE	CHANGE NO.	APPROVAL	DEVELOPMENT NO.
NAME CARD ASM TSTR-CTDL	8-4-60	109642	JWB				X0667
TWO WAY AND NPN							
DESIGN							
DETAIL							
CHECK	78J	8-1-60	DRW	HUE	7-7-60		
APPROV	BES	8-1-60	CHECK	JWB	7-13-60		

370976

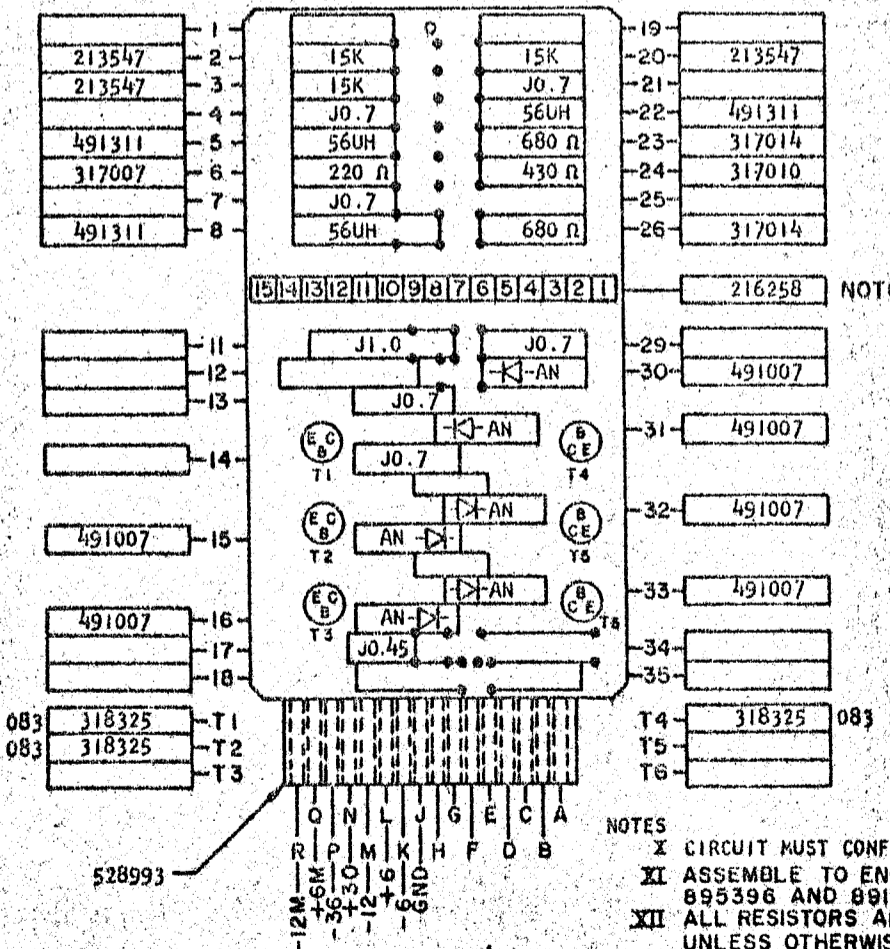
370976

SHEET 5 OF 22 EC. 109642

SECTION 2 OF 2

CAP CONFIGURATION

CIRCUIT NAME	CAP CODE	ASM NO	TEST SPEC	15	14	13	12	11	10	9	8	7	6	5	4	3	2	1
CTDL-TWO WAY AND NPN	WW	371252	891252															
CTDL-TWO WAY AND NPN-TWO LOADS	VW	371264	891264															
CTDL-TWO WAY AND NPN-ONE LOAD	VV	371265	891265															
CTDL-TWO WAY AND NPN-NO LOADS	--	371266	891266															



- NOTES
- X CIRCUIT MUST CONFORM TO ENGINEERING SPECIFICATION 891071
  - XI ASSEMBLE TO ENGINEERING SPECIFICATION 895396 AND 891999
  - XII ALL RESISTORS ARE 1/2 WATT AND  $\pm 5\%$  UNLESS OTHERWISE NOTED
  - XIII "J" IN BLOCK DENOTES BARE WIRE JUMPER, 491296
  - XIV REFERENCE -216259 MALE CONTACT STRIP TO BE USED AS REQUIRED TO PROGRAM DESIRED CAP CODE

DPD CIRCUIT & PACKAGING STANDARD	
APPROVAL	DATE
H. D. Hartford	7-6-60

370976

