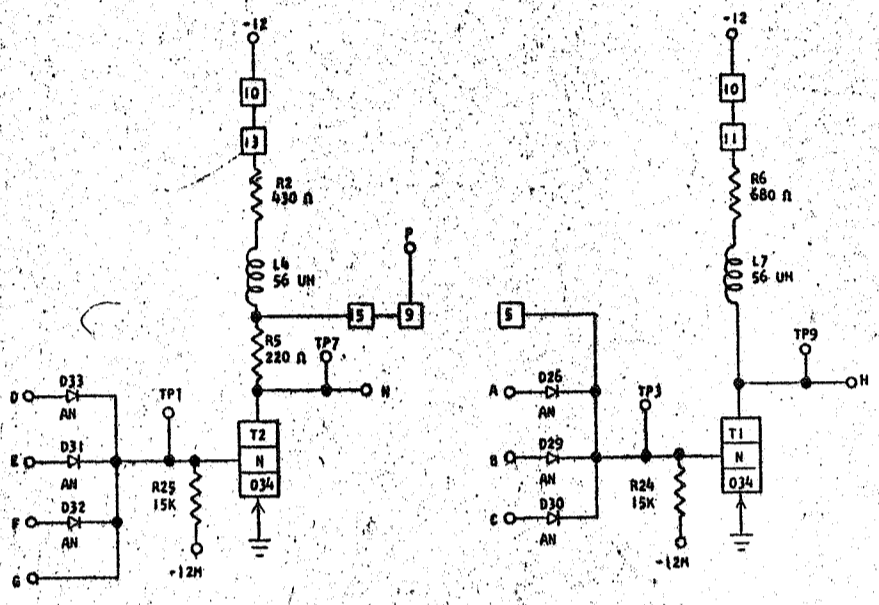


STANDARD CODE
729830

CARD CODE
CJ WV
729830

REFERENCE DRAWING
SEE PRODUCTION DRAWING 371253

CTDL 3-WAY "AND" PNP



SEQUENCE OF OPERATION

1. ALL INPUTS DOWN, TRANSISTOR ON, OUTPUT UP
2. ANY INPUT UP, TRANSISTOR OFF, OUTPUT DOWN
3. THE INPUTS ON THE EXTENDER CARD MUST BE DOWN IN COINCIDENCE WITH INPUTS ON CARD FOR AN UP OUTPUT
4. LOGIC BLOCKS MAY HAVE SYMBOLS OTHER THAN BQ/MH

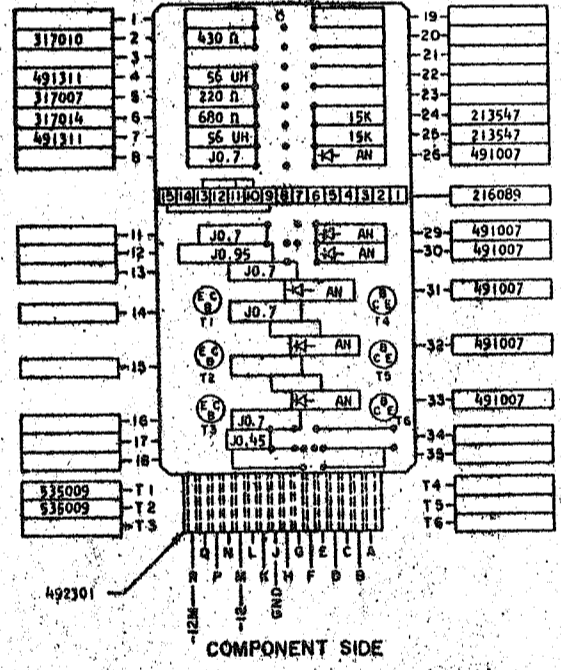
PINS	SIGNAL NAME	WAVE SHAPE	LEVELS	
			MIN	MAX
D, A, T	INPUT	[Waveform]	UP	1.4 6.2
E, B, T	INPUT	[Waveform]	DOWN	-0.7 -6.2
F, C, T	INPUT	[Waveform]	UP	1.4 6.2
			DOWN	-0.7 -6.2
H, H, U	OUTPUT	[Waveform]	UP	-0.5 0.2
			DOWN	-7.4 -12.5
P, P	OUTPUT	[Waveform]	UP	-4.93 -3.54
			DOWN	-8.82 -12.5
G, Y	EXTENDER INPUT	[Waveform]	UP	+6.
			DOWN	0.0

DELAY - USEC

	MINIMUM	MAXIMUM
TURN ON	0.10	0.80
TURN OFF	0.05	0.80

*THIS DELAY CAN OCCUR ONLY ON HEAVILY LOADED BLOCKS.

NOTE: THE ABOVE RANGES OF DELAYS ARE REPRESENTATIVE. SPECIFIC CIRCUIT APPLICATION AND/OR WIRING CAPACITANCE MAY RESULT IN DELAYS WHICH ARE OUT OF THE GIVEN RANGES. IN SUCH CASES, CARD REPLACEMENT SHOULD INDICATE IF THE CIRCUIT IS OUT OF SPECIFICATIONS.
EXAMPLE: LOGIC BLOCK DRIVING EF "OR".



CIRCUIT AND PACKAGING STANDARD

APPROVAL	DATE
ABC	4-2-62

INTERNATIONAL BUSINESS MACHINES CORP.		DATE	CHANGE NO.	APPROVAL	DATE	CHANGE NO.	APPROVAL	DEVELOPMENT NO.
NAME	CARD ASH T3TR-CTDL - 3	62	115999					
DESIGN	WY "AND" PNP							
DETAIL	BQ 3-1-62	SCALE	NONE					
CHECK	WH 3-1-62	DRAW	LIG 3-1-62					
APPRO		CHECK						

729830

729830