

370981

CMD CODE 370981
STANDARD CODE 2-704S

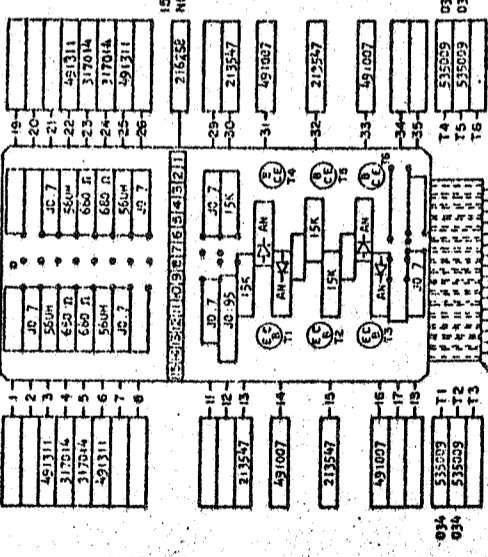
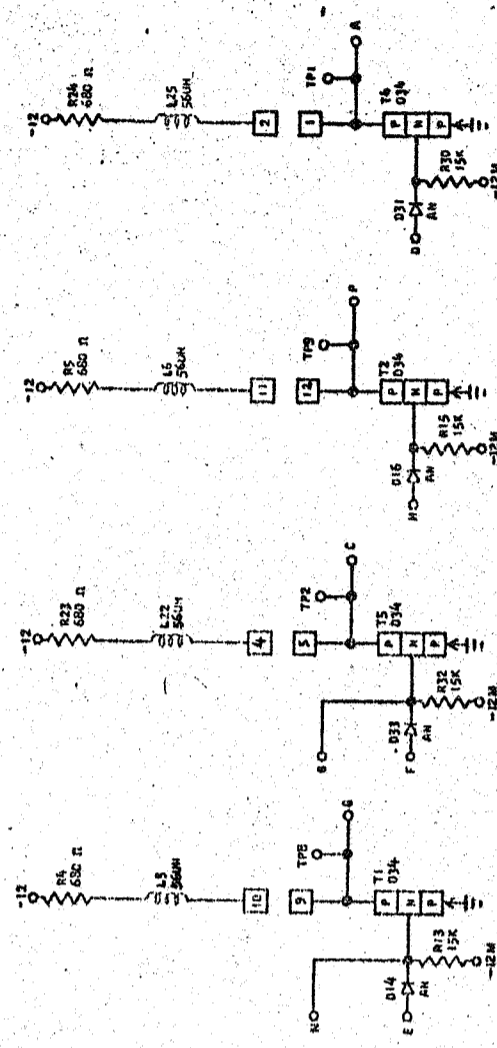
CTDL ONE WAY PNP
FIELD REPLACEMENT

DISCONTINUED

CAP CONFIGURATION

	15	14	13	12	11	10	9	8	7	5	4	3	2	1
ETDL ONE WAY PNP-4 LOADS	0	0	0	0	0	0	0	0	0	0	0	0	0	0
ETDL ONE WAY PNP-3 LOADS	0	0	0	0	0	0	0	0	0	0	0	0	0	0
ETDL ONE WAY PNP-NO LOAD	0	0	0	0	0	0	0	0	0	0	0	0	0	0
ETDL ONE WAY PNP-1 LOAD	0	0	0	0	0	0	0	0	0	0	0	0	0	0
ETDL ONE WAY PNP-2 LOAD	0	0	0	0	0	0	0	0	0	0	0	0	0	0
ETDL ONE WAY PNP-3 LOAD	0	0	0	0	0	0	0	0	0	0	0	0	0	0
ETDL ONE WAY PNP-4 LOAD	0	0	0	0	0	0	0	0	0	0	0	0	0	0
ETDL ONE WAY PNP-5 LOAD	0	0	0	0	0	0	0	0	0	0	0	0	0	0
ETDL ONE WAY PNP-6 LOAD	0	0	0	0	0	0	0	0	0	0	0	0	0	0
ETDL ONE WAY PNP-7 LOAD	0	0	0	0	0	0	0	0	0	0	0	0	0	0
ETDL ONE WAY PNP-8 LOAD	0	0	0	0	0	0	0	0	0	0	0	0	0	0
ETDL ONE WAY PNP-9 LOAD	0	0	0	0	0	0	0	0	0	0	0	0	0	0
ETDL ONE WAY PNP-10 LOAD	0	0	0	0	0	0	0	0	0	0	0	0	0	0
ETDL ONE WAY PNP-11 LOAD	0	0	0	0	0	0	0	0	0	0	0	0	0	0
ETDL ONE WAY PNP-12 LOAD	0	0	0	0	0	0	0	0	0	0	0	0	0	0
ETDL ONE WAY PNP-13 LOAD	0	0	0	0	0	0	0	0	0	0	0	0	0	0
ETDL ONE WAY PNP-14 LOAD	0	0	0	0	0	0	0	0	0	0	0	0	0	0
ETDL ONE WAY PNP-15 LOAD	0	0	0	0	0	0	0	0	0	0	0	0	0	0
ETDL ONE WAY PNP-16 LOAD	0	0	0	0	0	0	0	0	0	0	0	0	0	0
ETDL ONE WAY PNP-17 LOAD	0	0	0	0	0	0	0	0	0	0	0	0	0	0
ETDL ONE WAY PNP-18 LOAD	0	0	0	0	0	0	0	0	0	0	0	0	0	0
ETDL ONE WAY PNP-19 LOAD	0	0	0	0	0	0	0	0	0	0	0	0	0	0
ETDL ONE WAY PNP-20 LOAD	0	0	0	0	0	0	0	0	0	0	0	0	0	0
ETDL ONE WAY PNP-21 LOAD	0	0	0	0	0	0	0	0	0	0	0	0	0	0
ETDL ONE WAY PNP-22 LOAD	0	0	0	0	0	0	0	0	0	0	0	0	0	0
ETDL ONE WAY PNP-23 LOAD	0	0	0	0	0	0	0	0	0	0	0	0	0	0
ETDL ONE WAY PNP-24 LOAD	0	0	0	0	0	0	0	0	0	0	0	0	0	0
ETDL ONE WAY PNP-25 LOAD	0	0	0	0	0	0	0	0	0	0	0	0	0	0
ETDL ONE WAY PNP-26 LOAD	0	0	0	0	0	0	0	0	0	0	0	0	0	0
ETDL ONE WAY PNP-27 LOAD	0	0	0	0	0	0	0	0	0	0	0	0	0	0
ETDL ONE WAY PNP-28 LOAD	0	0	0	0	0	0	0	0	0	0	0	0	0	0
ETDL ONE WAY PNP-29 LOAD	0	0	0	0	0	0	0	0	0	0	0	0	0	0
ETDL ONE WAY PNP-30 LOAD	0	0	0	0	0	0	0	0	0	0	0	0	0	0
ETDL ONE WAY PNP-31 LOAD	0	0	0	0	0	0	0	0	0	0	0	0	0	0
ETDL ONE WAY PNP-32 LOAD	0	0	0	0	0	0	0	0	0	0	0	0	0	0
ETDL ONE WAY PNP-33 LOAD	0	0	0	0	0	0	0	0	0	0	0	0	0	0
ETDL ONE WAY PNP-34 LOAD	0	0	0	0	0	0	0	0	0	0	0	0	0	0
ETDL ONE WAY PNP-35 LOAD	0	0	0	0	0	0	0	0	0	0	0	0	0	0
ETDL ONE WAY PNP-36 LOAD	0	0	0	0	0	0	0	0	0	0	0	0	0	0
ETDL ONE WAY PNP-37 LOAD	0	0	0	0	0	0	0	0	0	0	0	0	0	0
ETDL ONE WAY PNP-38 LOAD	0	0	0	0	0	0	0	0	0	0	0	0	0	0
ETDL ONE WAY PNP-39 LOAD	0	0	0	0	0	0	0	0	0	0	0	0	0	0
ETDL ONE WAY PNP-40 LOAD	0	0	0	0	0	0	0	0	0	0	0	0	0	0
ETDL ONE WAY PNP-41 LOAD	0	0	0	0	0	0	0	0	0	0	0	0	0	0
ETDL ONE WAY PNP-42 LOAD	0	0	0	0	0	0	0	0	0	0	0	0	0	0
ETDL ONE WAY PNP-43 LOAD	0	0	0	0	0	0	0	0	0	0	0	0	0	0
ETDL ONE WAY PNP-44 LOAD	0	0	0	0	0	0	0	0	0	0	0	0	0	0
ETDL ONE WAY PNP-45 LOAD	0	0	0	0	0	0	0	0	0	0	0	0	0	0
ETDL ONE WAY PNP-46 LOAD	0	0	0	0	0	0	0	0	0	0	0	0	0	0
ETDL ONE WAY PNP-47 LOAD	0	0	0	0	0	0	0	0	0	0	0	0	0	0
ETDL ONE WAY PNP-48 LOAD	0	0	0	0	0	0	0	0	0	0	0	0	0	0
ETDL ONE WAY PNP-49 LOAD	0	0	0	0	0	0	0	0	0	0	0	0	0	0
ETDL ONE WAY PNP-50 LOAD	0	0	0	0	0	0	0	0	0	0	0	0	0	0

CIRCUIT NAME	QTY	ASM NO	REV	DATE
ETDL ONE WAY PNP-4 LOADS	24	371271	1	8/10/71
ETDL ONE WAY PNP-3 LOADS	27	371271	1	8/10/71
ETDL ONE WAY PNP-NO LOAD	1	371271	1	8/10/71
ETDL ONE WAY PNP-1 LOAD	16	371276	1	8/10/71
ETDL ONE WAY PNP-2 LOAD				
ETDL ONE WAY PNP-3 LOAD				
ETDL ONE WAY PNP-4 LOAD				
ETDL ONE WAY PNP-5 LOAD				
ETDL ONE WAY PNP-6 LOAD				
ETDL ONE WAY PNP-7 LOAD				
ETDL ONE WAY PNP-8 LOAD				
ETDL ONE WAY PNP-9 LOAD				
ETDL ONE WAY PNP-10 LOAD				
ETDL ONE WAY PNP-11 LOAD				
ETDL ONE WAY PNP-12 LOAD				
ETDL ONE WAY PNP-13 LOAD				
ETDL ONE WAY PNP-14 LOAD				
ETDL ONE WAY PNP-15 LOAD				
ETDL ONE WAY PNP-16 LOAD				
ETDL ONE WAY PNP-17 LOAD				
ETDL ONE WAY PNP-18 LOAD				
ETDL ONE WAY PNP-19 LOAD				
ETDL ONE WAY PNP-20 LOAD				
ETDL ONE WAY PNP-21 LOAD				
ETDL ONE WAY PNP-22 LOAD				
ETDL ONE WAY PNP-23 LOAD				
ETDL ONE WAY PNP-24 LOAD				
ETDL ONE WAY PNP-25 LOAD				
ETDL ONE WAY PNP-26 LOAD				
ETDL ONE WAY PNP-27 LOAD				
ETDL ONE WAY PNP-28 LOAD				
ETDL ONE WAY PNP-29 LOAD				
ETDL ONE WAY PNP-30 LOAD				
ETDL ONE WAY PNP-31 LOAD				
ETDL ONE WAY PNP-32 LOAD				
ETDL ONE WAY PNP-33 LOAD				
ETDL ONE WAY PNP-34 LOAD				
ETDL ONE WAY PNP-35 LOAD				
ETDL ONE WAY PNP-36 LOAD				
ETDL ONE WAY PNP-37 LOAD				
ETDL ONE WAY PNP-38 LOAD				
ETDL ONE WAY PNP-39 LOAD				
ETDL ONE WAY PNP-40 LOAD				
ETDL ONE WAY PNP-41 LOAD				
ETDL ONE WAY PNP-42 LOAD				
ETDL ONE WAY PNP-43 LOAD				
ETDL ONE WAY PNP-44 LOAD				
ETDL ONE WAY PNP-45 LOAD				
ETDL ONE WAY PNP-46 LOAD				
ETDL ONE WAY PNP-47 LOAD				
ETDL ONE WAY PNP-48 LOAD				
ETDL ONE WAY PNP-49 LOAD				
ETDL ONE WAY PNP-50 LOAD				



NOTES: CIRCUIT MUST CONFORM TO ENGINEERING SPECIFICATION
 I ASSEMBLE TO ENGINEERING SPECIFICATION
 II ALL RESISTORS ARE 1/2 WATT AND 5%
 III UNLESS OTHERWISE NOTED
 IV 49126 BUCK CRYSTALS BARE WIRE JUMPER,
 V REFERENCE-218259 MALE CONTACT STRIP TO
 BE USED AS REQUIRED TO PROGRAM DESIRED
 CAP CODE

INTERNATIONAL BUSINESS MACHINES CORP.	DATE	CHANGE NO.	APPROVAL	DATE	CHANGE NO.	APPROVAL	DATE	CHANGE NO.	APPROVAL
IBM CORP. 5630 CRESTVIEW DRIVE	1-2-71	1-1	[Signature]	1-2-71	1-1	[Signature]	1-2-71	1-1	[Signature]
IBM CORP. 5630 CRESTVIEW DRIVE	1-4-80	1010230	[Signature]	1-4-80	1010230	[Signature]	1-4-80	1010230	[Signature]
IBM CORP. 5630 CRESTVIEW DRIVE	12-1-80	110817	[Signature]	12-1-80	110817	[Signature]	12-1-80	110817	[Signature]

370981

SPD CIRCUIT & PACKAGING STANDARD

DATE: 7-6-66

APPROVAL: [Signature]