

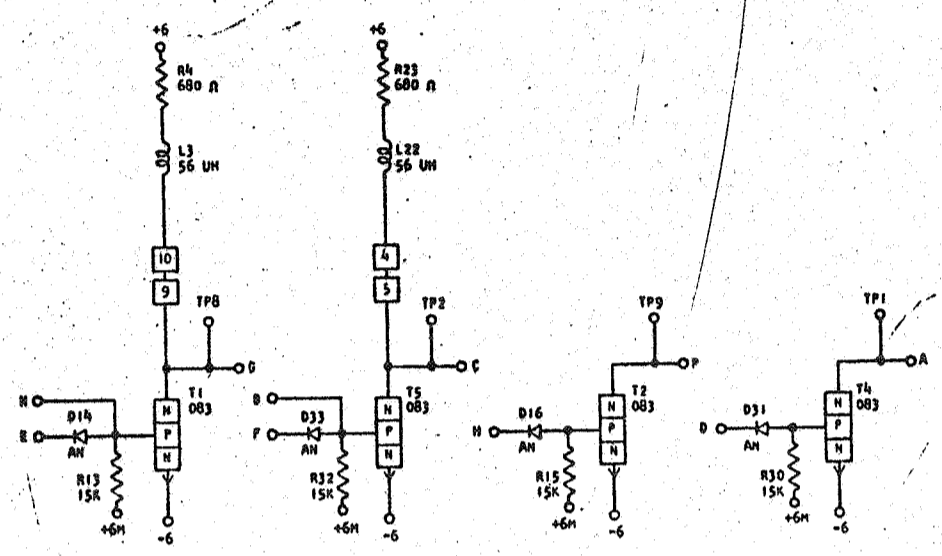
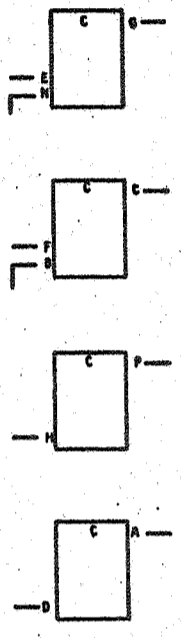
729851

STANDARD CODE

CARD CODE 729851
CR ZT

REFERENCE DRAWING
SEE PRODUCTION DRAWING 371275

CTDL - ONE WAY NPN



SEQUENCE OF OPERATION

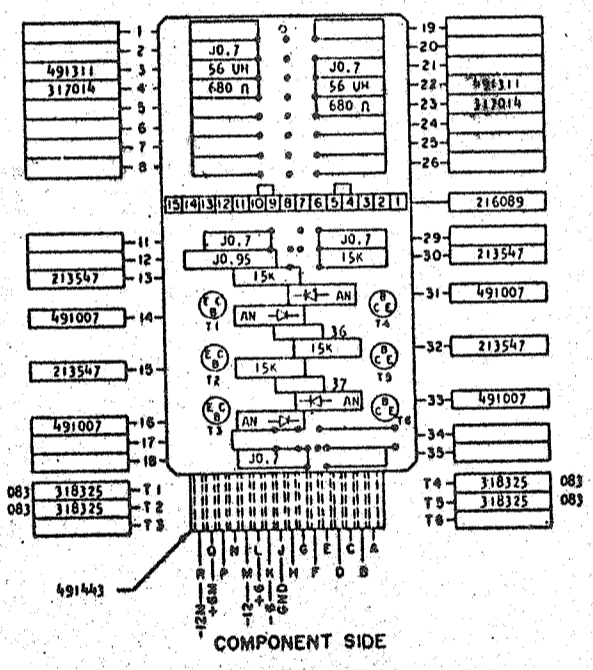
1. UP INPUT TRANSISTOR ON OUTPUT DOWN
2. DOWN INPUT TRANSISTOR OFF OUTPUT UP
3. INPUTS ON EXTENDER CARD UP IN COINCIDENCE WITH UP
4. T2, T4 COLLECTORS MUST BE LOADED
5. LOGIC BLOCKS MAY HAVE SYMBOLS OTHER THAN SHOWN

PINS	SIGNAL NAME	WAVE SHAPE	LEVELS	
			MIN	MAX
E, F, H, D	U INPUT	[Waveform]	UP	-5.26 0.24
H, D	EXTENDER INPUT	[Waveform]	UP	-7.44 -12.5
G, C, P, A	T OUTPUT	[Waveform]	UP	1.44 6.24
			DOWN	-6.0 -12.5
			DOWN	-5.46 -6.24

DELAY - USEC

	MINIMUM	MAXIMUM
TURN ON	0.05	0.70
TURN OFF	0.05	1.50

*THIS DELAY CAN OCCUR ONLY ON HEAVILY LOADED BLOCKS.
NOTE: THE ABOVE RANGES OF DELAYS ARE REPRESENTATIVE. SPECIFIC CIRCUIT APPLICATION AND/OR WIRING CAPACITANCE MAY RESULT IN DELAYS WHICH ARE OUT OF THE GIVEN RANGES. IN SUCH CASES, CARD REPLACEMENT SHOULD INDICATE IF THE CIRCUIT IS OUT OF SPECIFICATIONS. EXAMPLE: LOGIC BLOCK DRIVING OF 'OR'.



CIRCUIT AND PACKAGING STANDARD	
APPROVAL	DATE
ABC	4-2-62

INTERNATIONAL BUSINESS MACHINES CORP.				DATE	CHANGE NO.	APPROVAL	DATE	CHANGE NO.	APPROVAL	DEVELOPMENT NO.
NAME CARD ASM TSTR-CTDL-ONE				4-2-62	EC115599					729851
WAY NPN				30-4-63	JT83687					
DESIGN	RD	3-1-62	SCALE	NONE						
CHECK	WH	3-1-62	DRAW	LIG	3-17-62					
APPRO			CHECK							

729851