

729904

STANDARD CODE

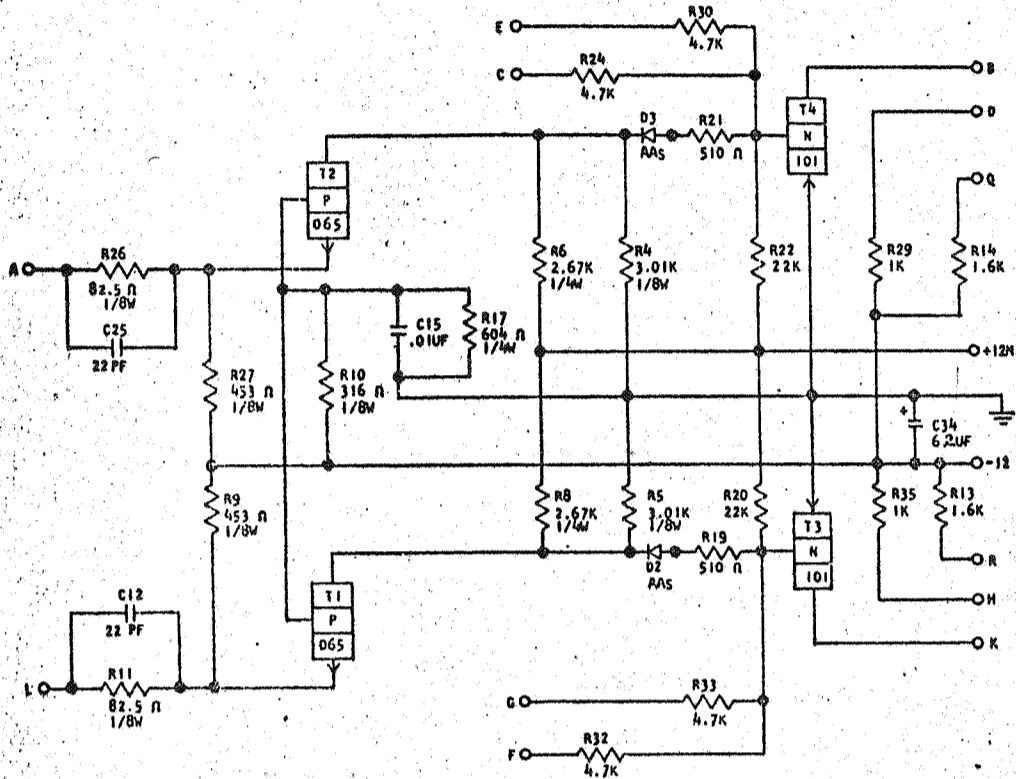
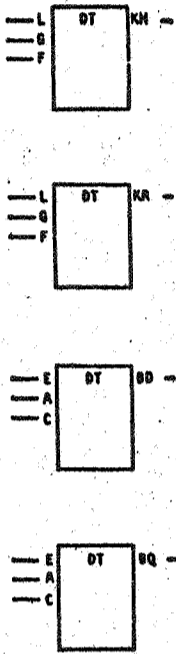
CARD CODE 729904

D B Z -

REFERENCE DRAWING

SEE PRODUCTION DRAWING 370385

CONVERTER-DIFFUSED BASE P-LINE TO SDTRL, OR SDTDL



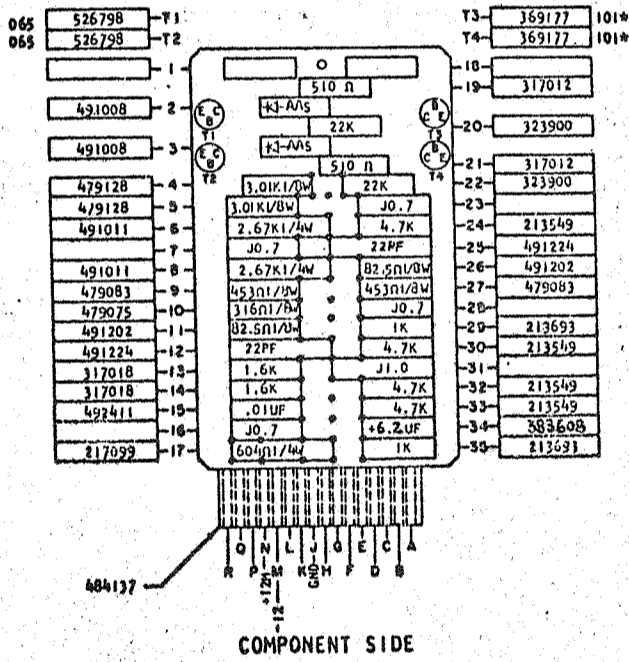
SEQUENCE OF OPERATION

INPUT A UP LEVEL, T2 CONDUCTS. THIS CAUSES T4 TO CONDUCT AND THE OUTPUT IS UP. EITHER PIN D OR Q IS TIED TO B DEPENDING IF SDTRL OR SDTDL BLOCKS ARE DRIVEN. THE OTHER CIRCUIT WITH INPUT L WORKS IN THE SAME MANNER, THE CIRCUIT ACCEPTS A P-LINE SIGNAL FROM THE COAXIAL LINE AND CONVERTS IT TO AN S LEVEL. THE GATES ACCOMPLISH A THREE WAY NOR FUNCTION; THAT IS, ANY NEGATIVE INPUT ON E, C OR OUTPUT OF T2 IN DOWN LEVEL WILL GIVE AN UP LEVEL OUTPUT FROM T4. IF THE 4.7K GATE IS NOT TO BE USED, IT MUST BE TIED TO GROUND.

PINS	SIGNAL NAME	WAVE SHAPE	LEVELS	
			MIN	MAX
L, A	P INPUT		UP -5.6	5.2
E, C, F, G	S GATE		UP -0.45	-0.05
B, D, Q	S OUTPUT		UP -0.45	-0.05
R, H, K	S OUTPUT		UP -0.45	-0.05
			DOWN -6.87	-12.48
			DOWN -6.07	-12.46

DELAY - NSEC

	MINIMUM	MAXIMUM
TURN ON	30	80
TURN OFF	50	80



COMPONENT SIDE

CIRCUIT AND PACKAGING STANDARD	
APPROVAL	DATE
ABC	4-2-62

INTERNATIONAL BUSINESS MACHINES CORP.	DATE	CHANGE NO.	APPROVAL	DATE	CHANGE NO.	APPROVAL	DEVELOPMENT NO.
NAME CARD ASM TSTR-CONV-DIFF BASE	4-27-62	EC 115599					729904
S P-LINE TO SDTRL, OR SDTDL	30.4-68	J783687					
DESIGNER	SCALE	MODEL					
CHECKED	DRAWN	CHECK					

729904