

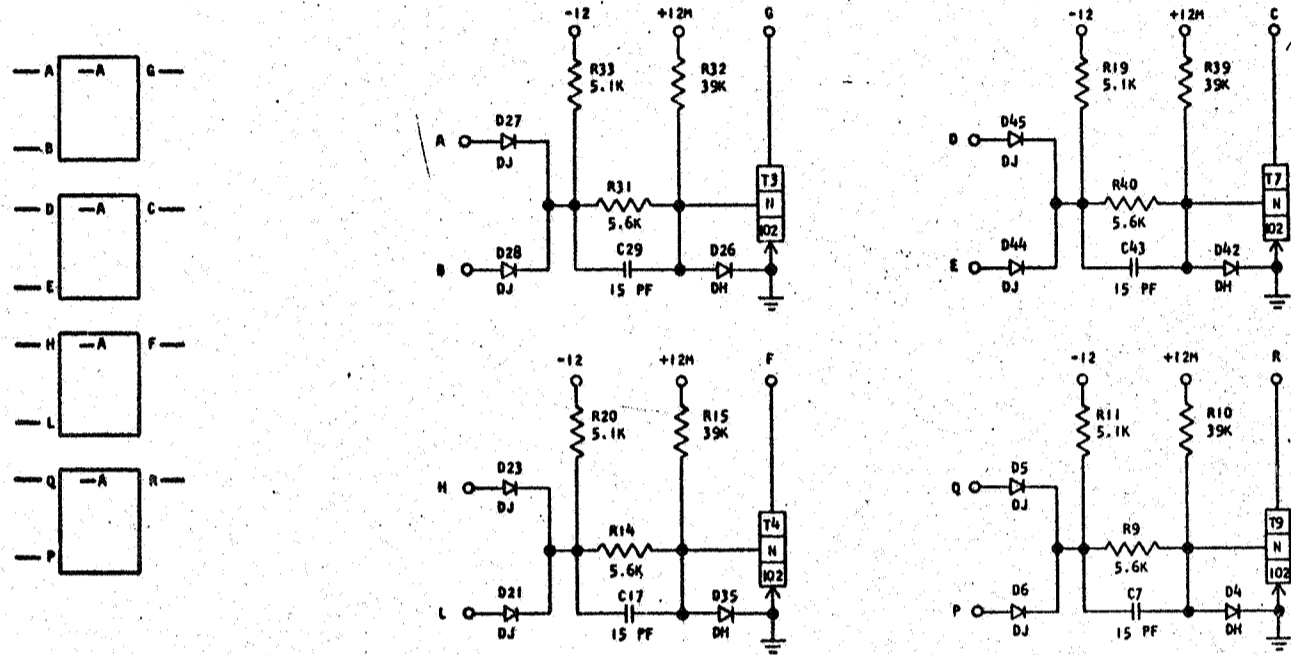
729907

STANDARDS CODE

CARD CODE 729907
D E G -

REFERENCE DRAWING
SEE PRODUCTION DRAWING 370217

SOTDL FOUR 2-WAY N AND LOGIC BLOCKS WITHOUT LOADS



SEQUENCE OF OPERATION

1. ALL INPUTS DOWN TRANSISTOR ON OUTPUT UP
2. ANY INPUT UP TRANSISTOR OFF OUTPUT DOWN
3. COLLECTORS MUST BE LOADED
4. LOGIC BLOCKS MAY HAVE SYMBOLS OTHER THAN SHOWN.

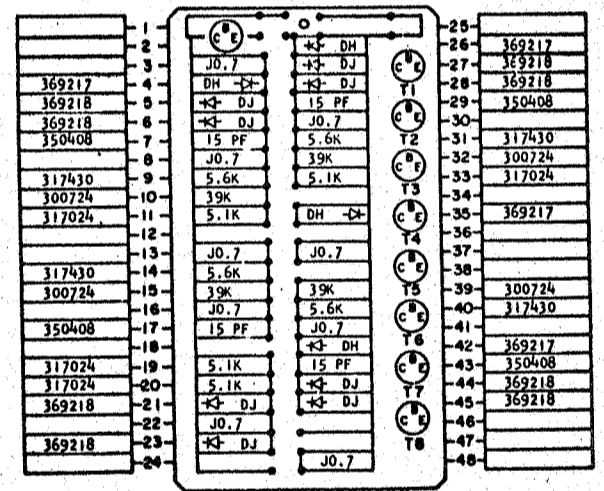
PINS	SIGNAL NAME	WAVE SHAPE	LEVELS	
			MIN	MAX
A, D, H, Q	Y INPUT	[Waveform]	UP	-0.65 -0.1
B, E, L, P	Y INPUT	[Waveform]	DOWN	-5.81 -8.8
G, C, F, R	Y OUTPUT	[Waveform]	UP	-0.65 -0.1
			DOWN	-5.8 -8.8

DELAY: SOTDL - HIGH SPEED

LOGIC BLOCK WITH 560 OHM COLLECTOR RESISTOR

TURN ON (NSEC)	MIN	MAX
	5	30*
TURN OFF (NSEC)	10	80**

*THIS DELAY CAN INCREASE TO 75 NSEC WHEN THE DRIVING BLOCK HAS 6.2K COLLECTOR RESISTOR RETURNED TO -12V.
**THIS DELAY CAN INCREASE TO 120 NSEC WHEN THE DRIVING BLOCK OR THE BLOCK THAT DRIVES THE DRIVING BLOCK HAS 6.2K COLLECTOR RESISTOR RETURNED TO -12V.



COMPONENT SIDE

CIRCUIT AND PACKAGING STANDARD	
APPROVAL	DATE
ABC	4-2-62

INTERNATIONAL BUSINESS MACHINES CORP.				DATE	CHANGE NO.	APPROVAL	DATE	CHANGE NO.	APPROVAL	DEVELOPMENT NO.
NAME CARD ASM TSTR-SOTDL 4 2-WAY N AND LOGIC BLOCKS WITHOUT LOADS				6-21-62	EC 115599					729907
DESIGN				30-4-63	JT 83687					
DETAIL	RQ	3-1-62	SCALE	NONE						
CHECK	WH	3-1-62	DRAW	LIG	3-17-62					
APPRO			CHECK							

729907