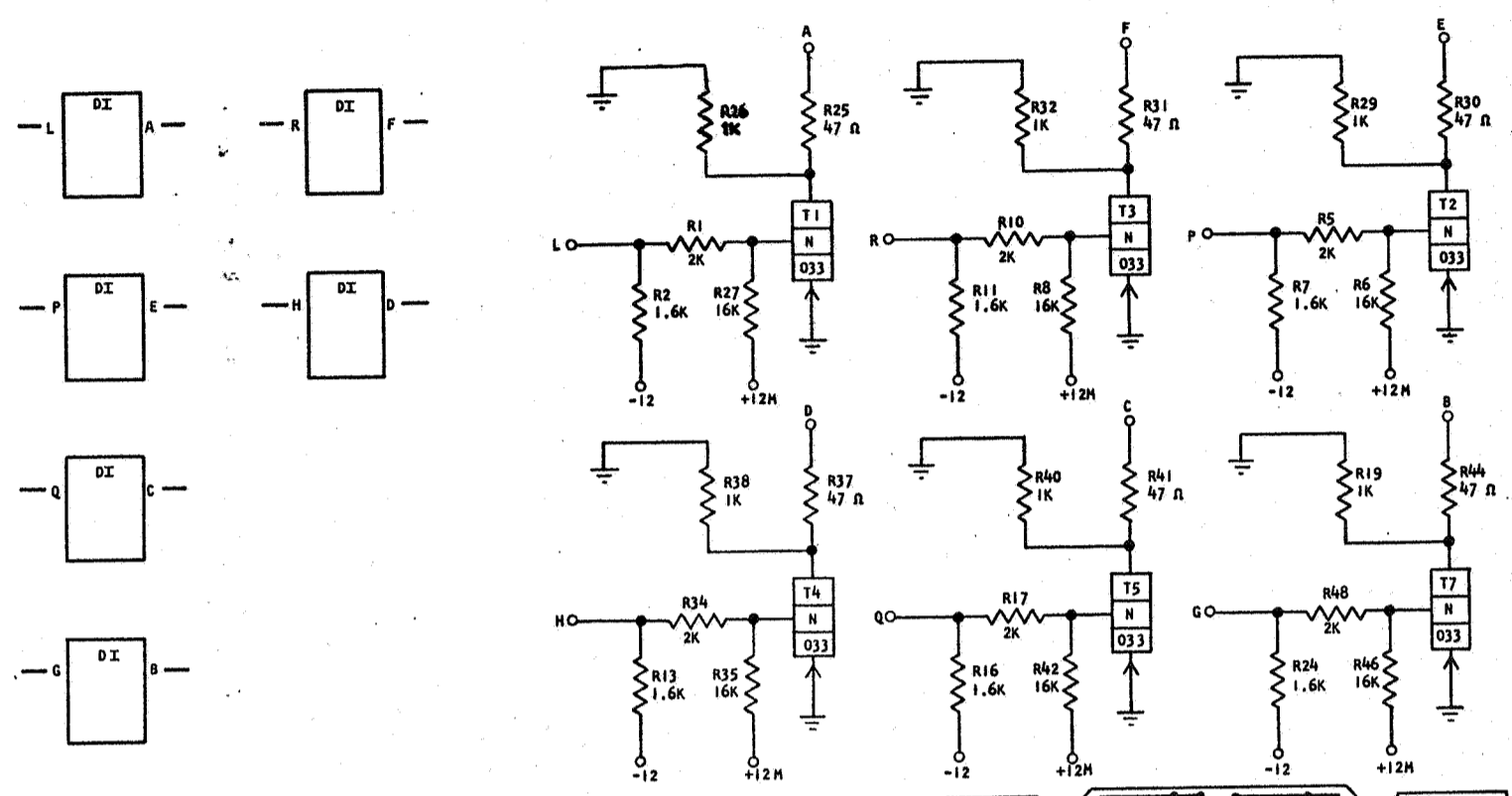


STANDARDS CODE  
729912

CARD CODE 729912  
D G S -

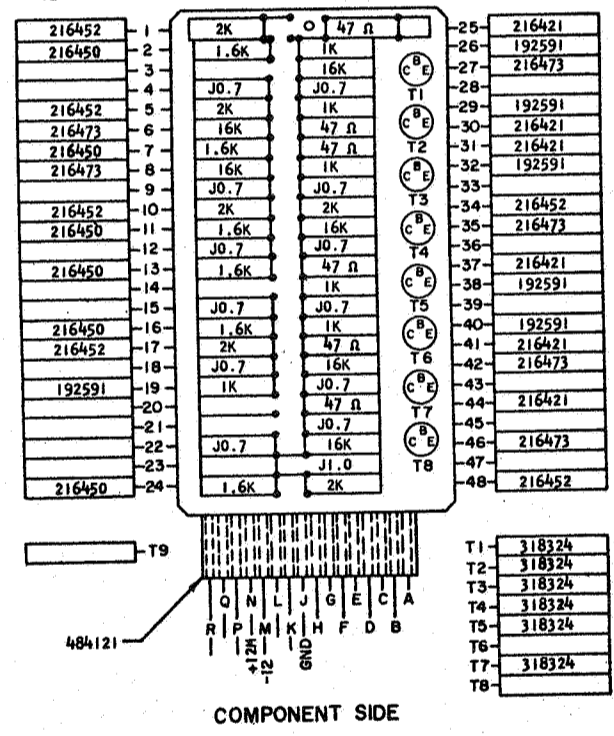
**REFERENCE DRAWING**  
SEE PRODUCTION DRAWING 370347

**SOTDL INDICATOR DRIVER**



**SEQUENCE OF OPERATION**  
1. INPUT DOWN TRANSISTOR ON OUTPUT UP  
2. INPUT UP TRANSISTOR OFF OUTPUT DOWN

PINS	SIGNAL NAME	WAVE SHAPE	LEVELS	
			MIN	MAX
L, R, P, H, Q, G	Y INPUT		UP	-0.65 0.10
A, F, E, D, C, B	S OUTPUT		DOWN	-5.81 -7.64
			UP	-1.67
			DOWN	-9.62



CIRCUIT AND PACKAGING STANDARD	
APPROVAL	DATE
ABC	4-2-62

INTERNATIONAL BUSINESS MACHINES CORP.				DATE	CHANGE NO.	APPROVAL	DATE	CHANGE NO.	APPROVAL	DEVELOPMENT NO.
NAME CARD ASM TSTR- SOTDL				4-2-62	115599					729912
INDICATOR DRIVER										
DESIGN	RQ	3-1-62	MODEL SMS							
DETAIL	WH	3-1-62	SCALE NONE							
CHECK	WH	3-1-62	DRAW LIG 3-17-62							
APPRO			CHECK							

