

729920
STANDARD CODE

CARD CODE 729920
D H A -

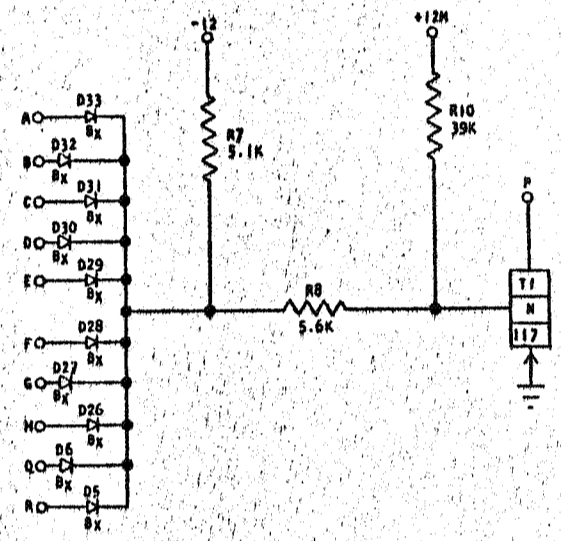
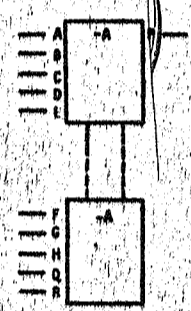
REFERENCE DRAWING
SEE PRODUCTION DRAWING 370374

DELAY: SDTDL - LOW SPEED
LOGIC BLOCK WITH 960 OHM COLLECTOR RESISTOR

TURN ON (NSEC)	MIN. 75	MAX. 100*
TURN OFF (NSEC)	40	200**

*THIS DELAY CAN INCREASE TO 200 NSEC WHEN THE DRIVING BLOCK HAS 6.2K COLLECTOR RESISTOR RETURNED TO -12V.
**THIS DELAY CAN INCREASE TO 350 NSEC WHEN THE DRIVING BLOCK OR THE BLOCK THAT DRIVES THE DRIVING BLOCK HAS 6.2K COLLECTOR RESISTOR RETURNED TO -12V.

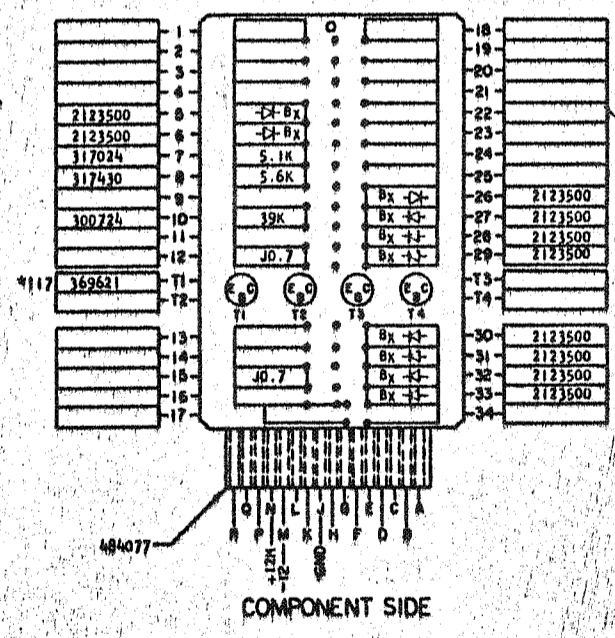
SOTDL 10-WAY LOGIC BLOCK LOW SPEED WITHOUT LOADS



SEQUENCE OF OPERATION

1. ALL INPUTS DOWN TRANSISTOR ON OUTPUT UP.
2. ANY INPUT UP TRANSISTOR OFF OUTPUT DOWN.
3. COLLECTOR MUST BE LOADED.
4. LOGIC BLOCKS MAY HAVE SYMBOLS OTHER THAN SHOWN.

PINS	SIGNAL NAME	WAVE SHAPE		LEVELS	
				MIN	MAX
A	Y INPUT	[Waveform]	UP	-0.65	-1.1
			DOWN	-5.81	-8.8
B	Y INPUT	[Waveform]	UP	-0.65	-1.1
			DOWN	-5.81	-8.8
C	Y INPUT	[Waveform]	UP	-0.65	-1.1
			DOWN	-5.81	-8.8
D	Y INPUT	[Waveform]	UP	-0.65	-1.1
			DOWN	-5.81	-8.8
E	Y INPUT	[Waveform]	UP	-0.65	-1.1
			DOWN	-5.81	-8.8
F	Y INPUT	[Waveform]	UP	-0.65	-1.1
			DOWN	-5.81	-8.8
G	Y INPUT	[Waveform]	UP	-0.65	-1.1
			DOWN	-5.81	-8.8
H	Y INPUT	[Waveform]	UP	-0.65	-1.1
			DOWN	-5.81	-8.8
Q	Y INPUT	[Waveform]	UP	-0.65	-1.1
			DOWN	-5.81	-8.8
R	Y INPUT	[Waveform]	UP	-0.65	-1.1
			DOWN	-5.81	-8.8
P	Y OUTPUT	[Waveform]	UP	-0.65	-1.1
			DOWN	-5.81	-8.8



CIRCUIT AND PACKAGING STANDARD	
APPROVAL	DATE
ABC	4-2-62

INTERNATIONAL BUSINESS MACHINES CORP.	DATE	CHANGE NO.	APPROVAL	DATE	CHANGE NO.	APPROVAL	DEVELOPMENT NO.
NAME CARD ASH TSTR-SOTDL 10-WAY	7-62	115599					729920
LOGIC BLOCK LOW SPEED WO/LOADS							
DESIGN	MODEL	SCALE					
DETAIL RQ 5-1-62	SCALE NONE						
CHECK WH 5-1-62	DRAW LIB B-W-62						
APPROV	CHECK						

729920

729920

STANDARD CASE

FORM 0001

729920

DMA -

REFERENCE DRAWING

SEE PRODUCTION DRAWING 370374

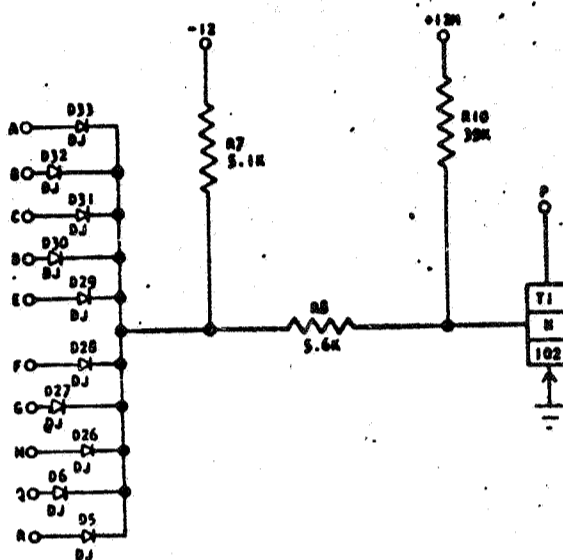
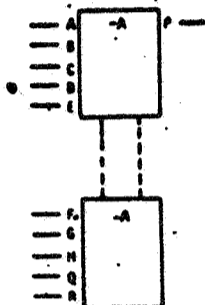
DELAY: SDTDL - LOW SPEED

LOGIC BLOCK WITH 560 OHM COLLECTOR RESISTOR

TURN ON (NSEC)	$\frac{R_{IN}}{-75}$	$\frac{MAX}{100}$
TURN OFF (NSEC)	40	300

- *THIS DELAY CAN INCREASE TO 300 NSEC WHEN THE DRIVING BLOCK HAS 6.2K COLLECTOR RESISTOR RETURNED TO -12V.
- *THIS DELAY CAN INCREASE TO 350 NSEC WHEN THE DRIVING BLOCK OR THE BLOCK THAT DRIVES THE DRIVING BLOCK HAS 6.2K COLLECTOR RESISTOR RETURNED TO -12V.

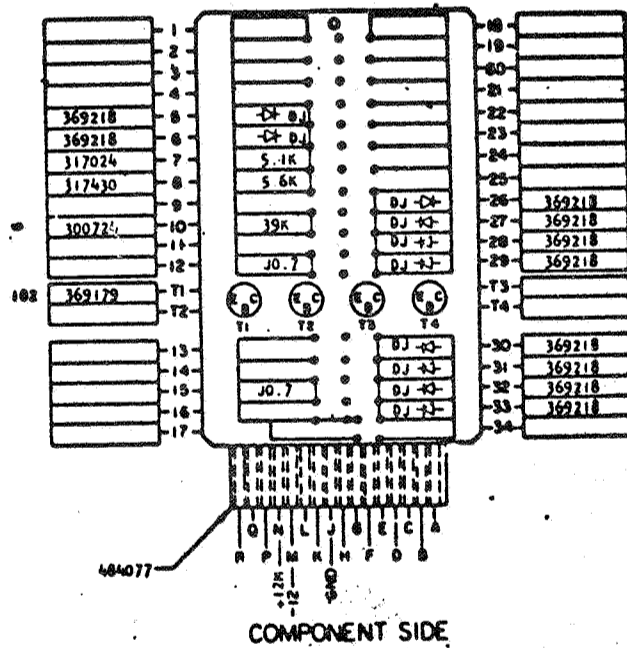
SDTDL 10-WAY LOGIC BLOCK LOW SPEED WITHOUT LOADS



SEQUENCE OF OPERATION

1. ALL INPUTS DOWN TRANSISTOR ON OUTPUT UP.
2. ANY INPUT UP TRANSISTOR OFF OUTPUT DOWN.
3. COLLECTOR MUST BE LOADED.
4. LOGIC BLOCKS MAY HAVE SYMBOLS OTHER THAN SHOWN.

PINS	SIGNAL NAME	WAVE SHAPE	LEVELS		
			MIN	MAX	
A	Y	INPUT	UP	-0.65	-0.1
			DOWN	-5.81	-8.8
B	Y	INPUT	UP	-0.65	-0.1
			DOWN	-5.81	-8.8
C	Y	INPUT	UP	-0.65	-0.1
			DOWN	-5.81	-8.8
D	Y	INPUT	UP	-0.65	-0.1
			DOWN	-5.81	-8.8
E	Y	INPUT	UP	-0.65	-0.1
			DOWN	-5.81	-8.8
F	Y	INPUT	UP	-0.65	-0.1
			DOWN	-5.81	-8.8
G	Y	INPUT	UP	-0.65	-0.1
			DOWN	-5.81	-8.8
H	Y	INPUT	UP	-0.65	-0.1
			DOWN	-5.81	-8.8
I	Y	INPUT	UP	-0.65	-0.1
			DOWN	-5.81	-8.8
J	Y	INPUT	UP	-0.65	-0.1
			DOWN	-5.81	-8.8
K	Y	INPUT	UP	-0.65	-0.1
			DOWN	-5.81	-8.8
L	Y	INPUT	UP	-0.65	-0.1
			DOWN	-5.81	-8.8
M	Y	INPUT	UP	-0.65	-0.1
			DOWN	-5.81	-8.8
N	Y	INPUT	UP	-0.65	-0.1
			DOWN	-5.81	-8.8
O	Y	INPUT	UP	-0.65	-0.1
			DOWN	-5.81	-8.8
P	N	OUTPUT	UP	-0.65	-0.1
			DOWN	-5.81	-8.8



CIRCUIT AND PACKAGING STANDARD	
APPROVAL	DATE
ABC	4-2-62

INTERNATIONAL BUSINESS MACHINES CORP.				DATE	CHANGE NO.	APPROVAL	DATE	CHANGE NO.	APPROVAL	DEVELOPMENT NO.	
NAME	CARD ASM TSTR-SDTDL 10-WAY	DATE	4-29-62	CHANGE NO.	115589	APPROVAL		DATE		DEVELOPMENT NO.	
DESIGN	LOGIC BLOCK LOW SPEED W/O LOADS	DATE	1-3-63	CHANGE NO.	EC 116034	APPROVAL		DATE		DEVELOPMENT NO.	
DETAIL	RQ 3-1-62	SCALE		DATE	30-4-63	APPROVAL	JT 83687	DATE		DEVELOPMENT NO.	
CHECK	WH 3-1-62	DRAW	LIG 3-17-62	DATE		APPROVAL		DATE		DEVELOPMENT NO.	
APPRO		CHECK		DATE		APPROVAL		DATE		DEVELOPMENT NO.	

729920