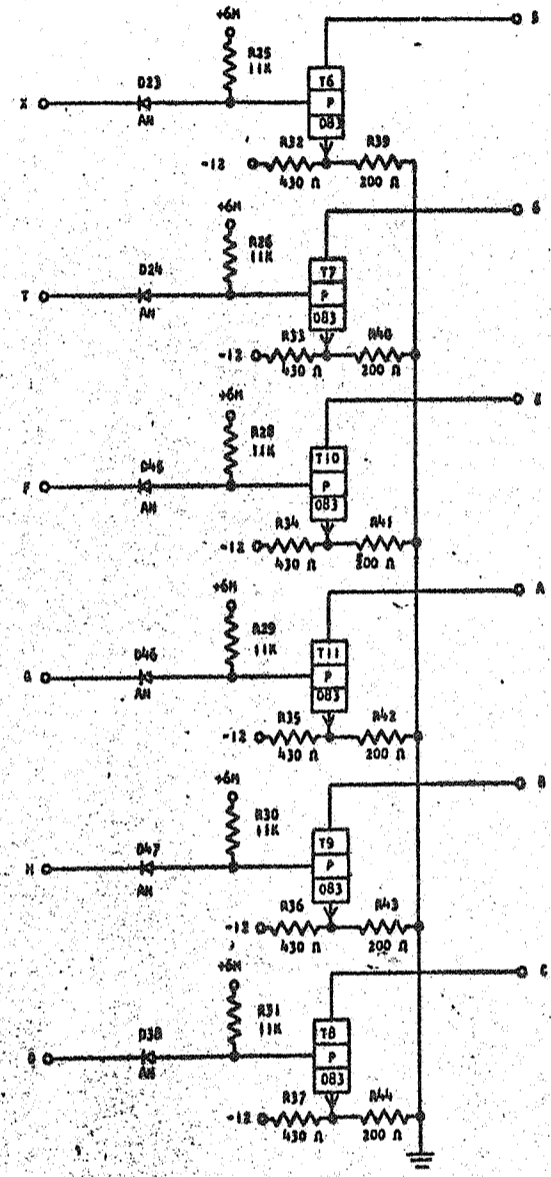
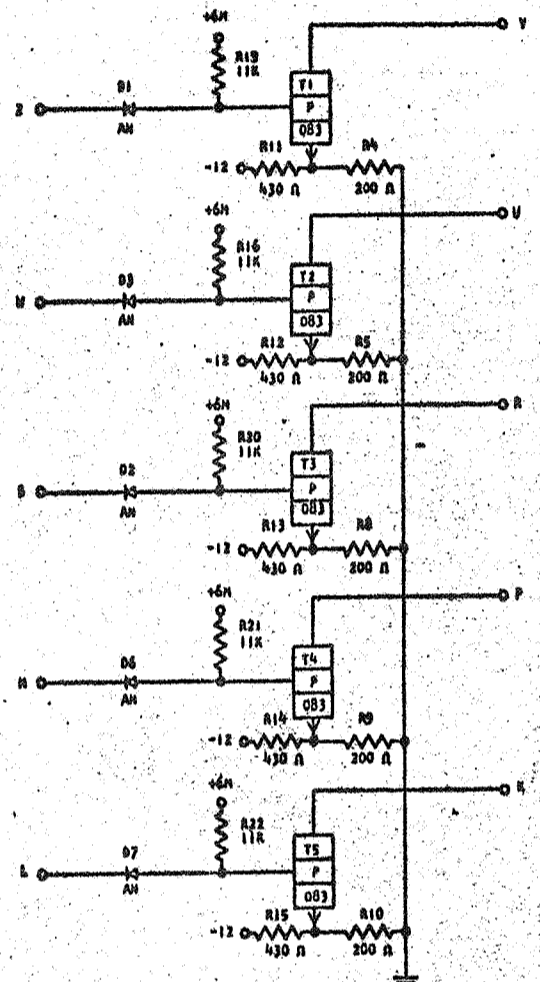


37335

STANDARD  
CODE  
2-7045

CARD CODE  
37335  
D J F -

SHEET 1 OF 2



VOLTAGE PIN  
+6V J, I, Q AND V  
-12 L  
+6V P

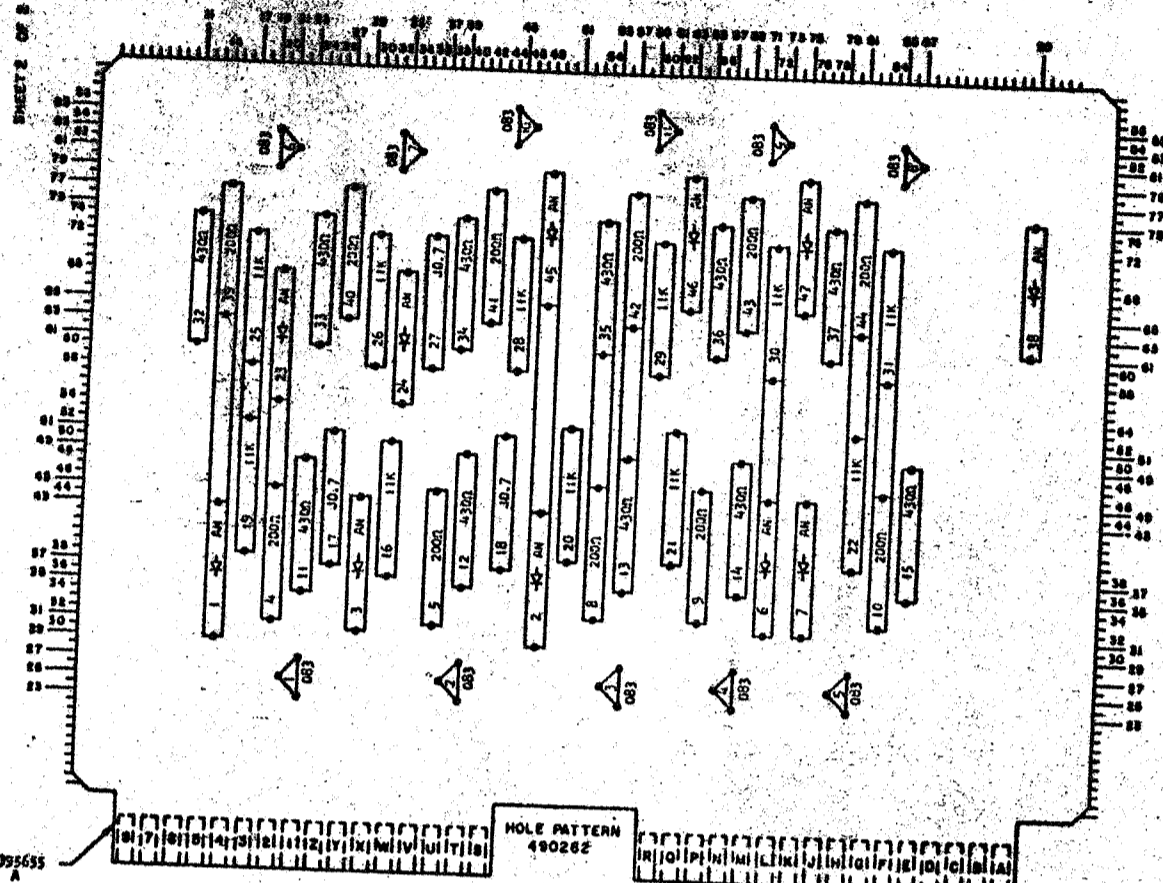
| CIRCUIT AND PACKAGING STANDARD |      |
|--------------------------------|------|
| APPROVAL                       | DATE |
|                                |      |

| INTERNATIONAL BUSINESS MACHINES CORP. |    | DATE     | CHANGE NO. | APPROVAL | DATE    | CHANGE NO. | APPROVAL | DEVELOPMENT NO. |
|---------------------------------------|----|----------|------------|----------|---------|------------|----------|-----------------|
| NAME TWIN CARD ASH - LINE DRIVERS     |    | 7-11-62  | 143645     | NDL      |         |            |          | X1242           |
|                                       |    | 12-20-62 | D114728    | NDL      |         |            |          |                 |
| DESIGN                                | VE | 8-15-62  | SCALE      | NONE     |         |            |          |                 |
| CHECK                                 | VE | 8-15-62  | DRAW       | VE       | 8-15-62 |            |          |                 |
| APPRO                                 |    |          | CHECK      |          |         |            |          |                 |

37335

373335  
3-7048

373335  
D J F -



| PART NO. | VALUE | QTY. |
|----------|-------|------|
| 317006   | 200Ω  | 11   |
| 317010   | 430Ω  | 11   |
| 317027   | 11K   | 11   |
| 491007   | AN    | 11   |
| 318325   | 083   | 11   |

795655 HOLE PATTERN 490262

| POSITION | VALUE | LOWER HOLE | UPPER HOLE |
|----------|-------|------------|------------|
| 1        | AN    | 1429       | 1443       |
| 2        | AN    | 4829       | 4843       |
| 3        | AN    | 2930       | 2944       |
| 4        | 200Ω  | 2031       | 2045       |
| 5        | 200Ω  | 3731       | 3745       |
| 6        | AN    | 7231       | 7245       |
| 7        | AN    | 7631       | 7645       |
| 8        | 200Ω  | 5432       | 5446       |
| 9        | 200Ω  | 6532       | 6546       |
| 10       | 200Ω  | 8432       | 8446       |
| 11       | 430Ω  | 2334       | 2348       |
| 12       | 430Ω  | 4035       | 4049       |
| 13       | 430Ω  | 5735       | 5749       |
| 14       | 430Ω  | 6435       | 6449       |
| 15       | 430Ω  | 8735       | 8749       |
| 16       | 11K   | 1336       | 1350       |
| 17       | 10.7  | 2637       | 2651       |
| 18       | 10.7  | 4437       | 4451       |
| 19       | 11K   | 1738       | 1752       |
| 20       | 11K   | 5138       | 5152       |
| 21       | 11K   | 6238       | 6252       |
| 22       | 11K   | 8138       | 8152       |
| 23       | AN    | 4054       | 2068       |
| 24       | AN    | 3354       | 3368       |
| 25       | 11K   | 1758       | 1772       |
| 26       | 11K   | 3058       | 3072       |
| 27       | 10.7  | 3658       | 3672       |
| 28       | 11K   | 4558       | 4572       |
| 29       | 11K   | 6058       | 6072       |
| 30       | 11K   | 7258       | 7272       |
| 31       | 11K   | 8458       | 8472       |
| 32       | 430Ω  | 1160       | 1174       |
| 33       | 430Ω  | 2460       | 2474       |
| 34       | 430Ω  | 3960       | 3974       |
| 35       | 430Ω  | 5460       | 5474       |
| 36       | 430Ω  | 6660       | 6674       |
| 37       | 430Ω  | 7860       | 7874       |
| 38       | AN    | 9961       | 9975       |
| 39       | 200Ω  | 1463       | 1477       |
| 40       | 200Ω  | 3263       | 3277       |
| 41       | 200Ω  | 4263       | 4277       |
| 42       | 200Ω  | 5763       | 5777       |
| 43       | 200Ω  | 6963       | 6977       |
| 44       | 200Ω  | 8163       | 8177       |
| 45       | AN    | 4865       | 4879       |
| 46       | AN    | 6365       | 6379       |
| 47       | AN    | 7565       | 7579       |

| POSITION | TYPE | E    | B    | C    |
|----------|------|------|------|------|
| 1        | 083  | 2327 | 2125 | 2329 |
| 2        | 083  | 4027 | 3825 | 4029 |
| 3        | 083  | 5727 | 5525 | 5729 |
| 4        | 083  | 6927 | 6725 | 6929 |
| 5        | 083  | 8127 | 7925 | 8129 |
| 6        | 083  | 1979 | 2181 | 1983 |
| 7        | 083  | 3279 | 3481 | 3283 |
| 8        | 083  | 6579 | 6781 | 6583 |
| 9        | 083  | 7181 | 7383 | 7185 |
| 10       | 083  | 4483 | 4685 | 4487 |
| 11       | 083  | 5982 | 6184 | 5986 |

NOTES  
 I CIRCUIT MUST CONFORM TO ENGINEERING SPECIFICATION 003150  
 II ASSEMBLE TO ENGINEERING SPECIFICATION 003001  
 III "A" IN BLOCK DENOTES SPARE WIRE JUMPER 491296  
 XXX ALL RESISTORS ARE 1/2 WATT AND ±5% UNLESS OTHERWISE NOTED

| CIRCUIT AND PACKAGING STANDARD |        |
|--------------------------------|--------|
| APPROVAL                       | DATE   |
| NAF                            | 8-6-62 |

| INTERNATIONAL BUSINESS MACHINES CORP. |         | DATE      | CHANGE NO. | APPROVAL | DATE | CHANGE NO. | APPROVAL | DEVELOPMENT NO. |
|---------------------------------------|---------|-----------|------------|----------|------|------------|----------|-----------------|
| TYPE 4 LINE DRIVERS                   |         | 7-27-62   | 113615     | MDL      |      |            |          |                 |
| DESIGN                                | MODEL   | SNS 14-01 |            |          |      |            |          |                 |
| DETAIL VE                             | SCALE   | 1:1       |            |          |      |            |          |                 |
| CHECK VE                              | DRAW VE | 8-20-62   |            |          |      |            |          |                 |
| APPRO                                 | CHECK   |           |            |          |      |            |          |                 |

373335