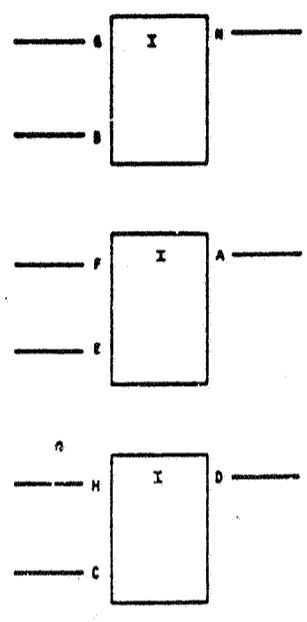


741416
STANDARD CODE

CARD CODE 741416
H B W W

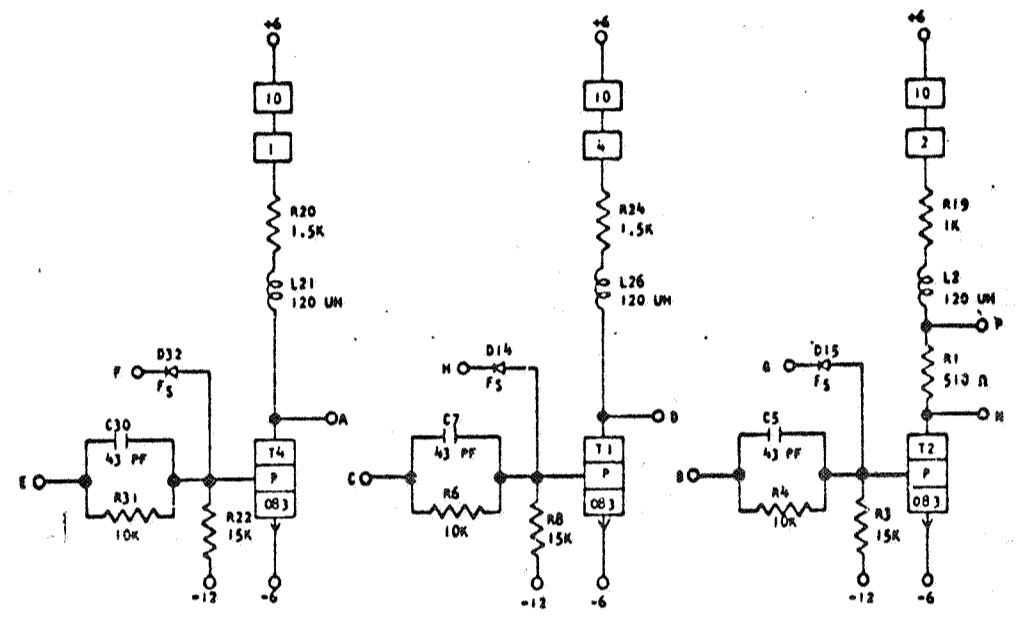
REFERENCE DRAWING
SEE PRODUCTION DRAWING 371500

CAP SENSE AMPLIFIER



SEQUENCE OF OPERATION

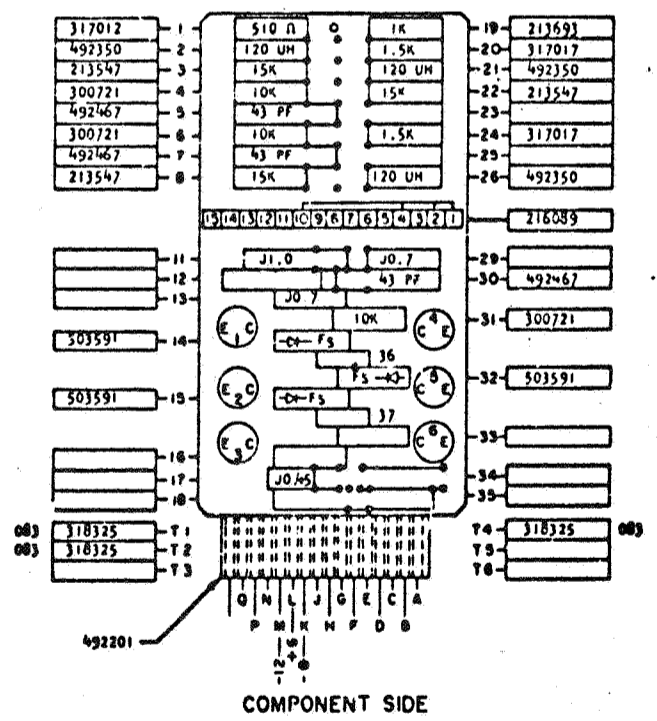
1. GATE AND SIGNAL UP, TRANSISTOR ON, DOWN OUTPUT.
2. GATE OR SIGNAL DOWN, TRANSISTOR OFF, UP OUTPUT.
3. INPUT DOWN, TRANSISTOR OFF, OUTPUT UP.
4. INPUT UP, TRANSISTOR ON, OUTPUT DOWN.
5. LOGIC BLOCKS MAY HAVE SYMBOLS OTHER THAN SHOWN.



PINS	SIGNAL NAME	WAVE SHAPE	LEVELS	
			MIN	MAX
B, E, C	INPUT SIGNAL	[Square Wave]	UP	+1.4V
G, F, H	INPUT GATE	[Square Wave]	UP	-5.4V
N, A, D	OUTPUT	[Square Wave]	UP	+1.4V

DELAYS - USEC

	MINIMUM	MAXIMUM
TURN ON	0	0.07
TURN OFF	0.20	0.55



COMPONENT SIDE

APPROVAL	CHECK	MAT. LAB.	COMP. LAB.

INTERNATIONAL BUSINESS MACHINES CORP.				DATE	CHANGE NO.	APPROVAL	DATE	CHANGE NO.	APPROVAL	DEVELOPMENT NO.
NAME CARD ASM TSTR-CAP SENSE AMPLIFIER.				3-25-64	120123					
DESIGN				26.6.64	TA 769					
DETAIL										
CHECK										
APPRO										

741416