

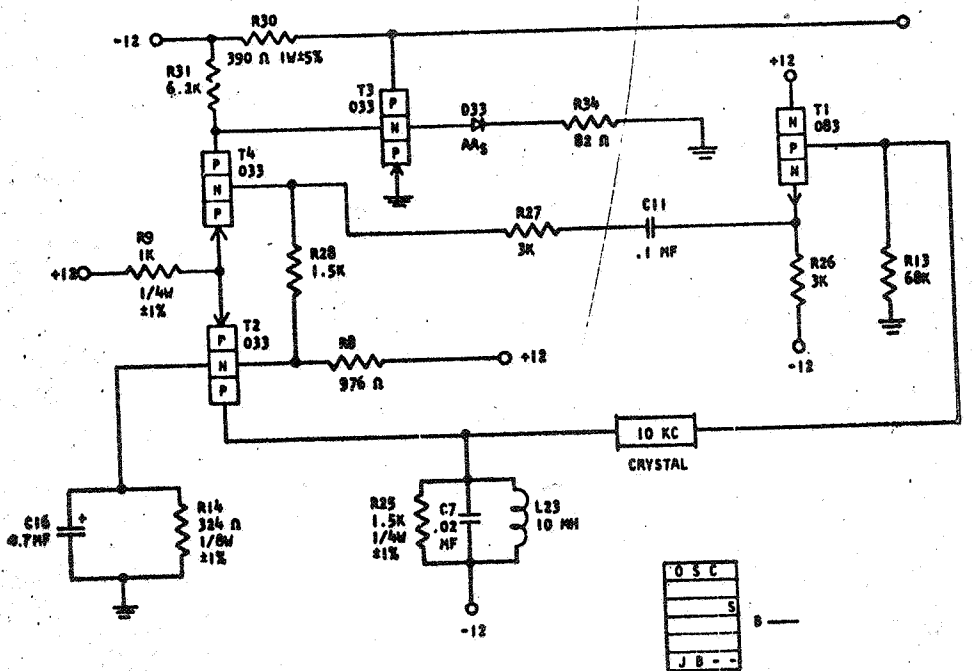
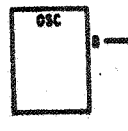
729932

STANDARDS CODE

CARD CODE 729932
JB --

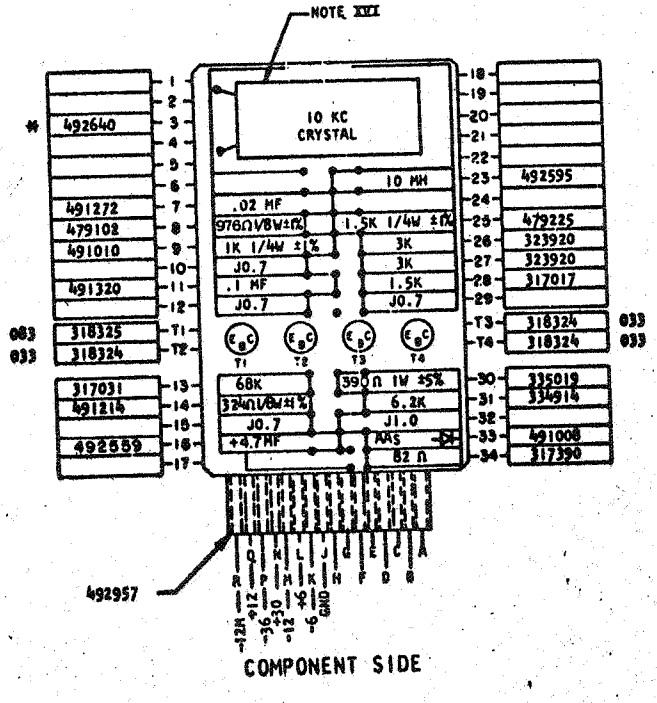
REFERENCE DRAWING
SEE PRODUCTION DRAWING 371245

CTRL-OSCILLATOR, 10 KC FREE RUNNING (CRYSTAL)



SEQUENCE OF OPERATION
1. WHEN POWER IS UP, OSCILLATOR TURNS ON

PINS	SIGNAL NAME	WAVE SHAPE	LEVELS	
			MIN	MAX
B	S	OUTPUT	UP	0 - .2
			DOWN	-11.8 -12.12



CIRCUIT AND PACKAGING STANDARD	
APPROVAL	DATE
ABC	4-2-62

INTERNATIONAL BUSINESS MACHINES CORP.		DATE	CHANGE NO.	APPROVAL	DATE	CHANGE NO.	APPROVAL	DEVELOPMENT NO.
NAME CARD ASM TSTR - CTRL OSC.		6-17-62	EC 115599					
10KC FREE RUNNING CRYSTAL		30.4.63	JT 83687					
DESIGN	MODEL	SMS						
DETAIL	RD	3-1-62	SCALE	NONE				
CHECK	WH	3-1-62	DRAW	LIG 5-17-62				
APPRO			CHECK					

729932

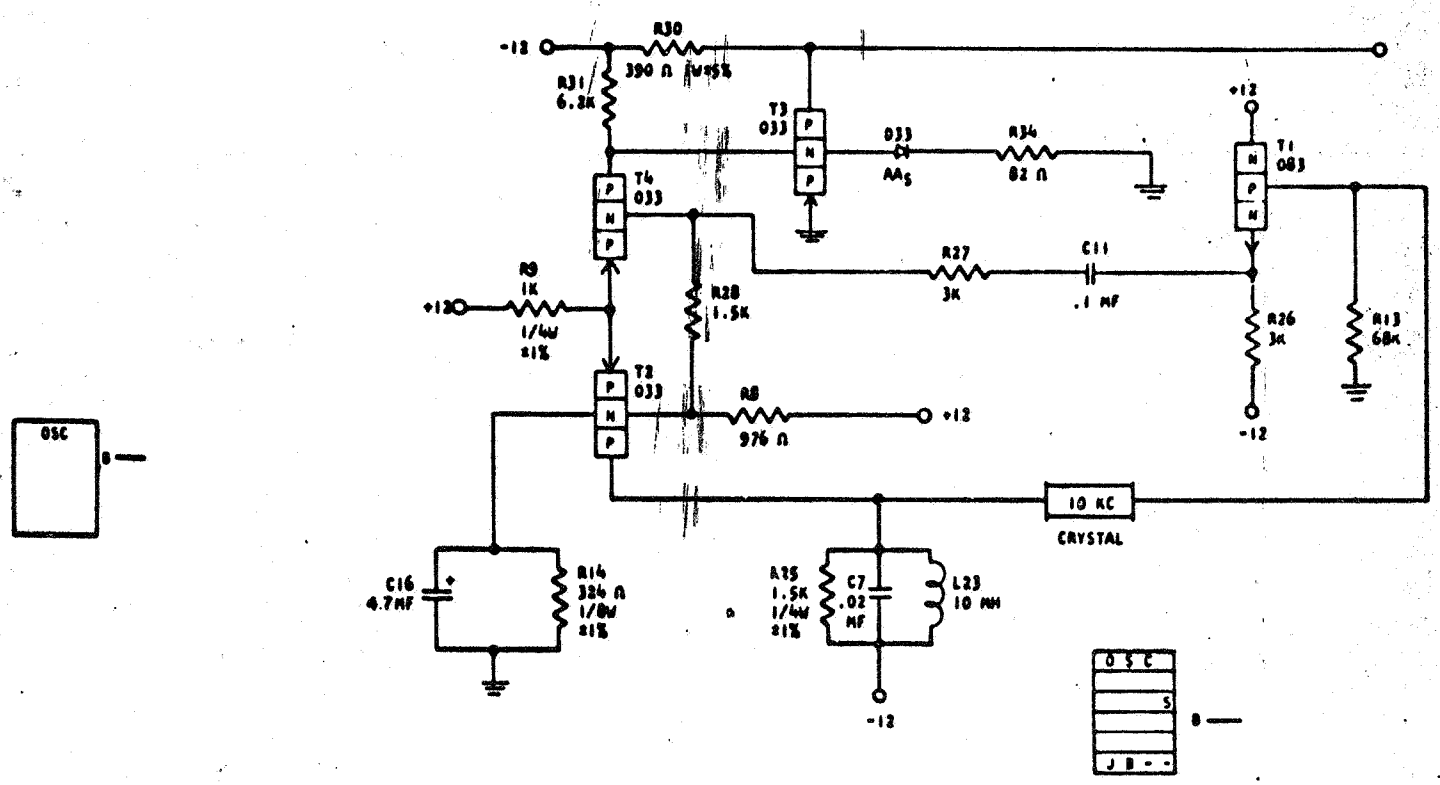
252

729932
STANDARD CODE

CARD CODE 729932
JB --

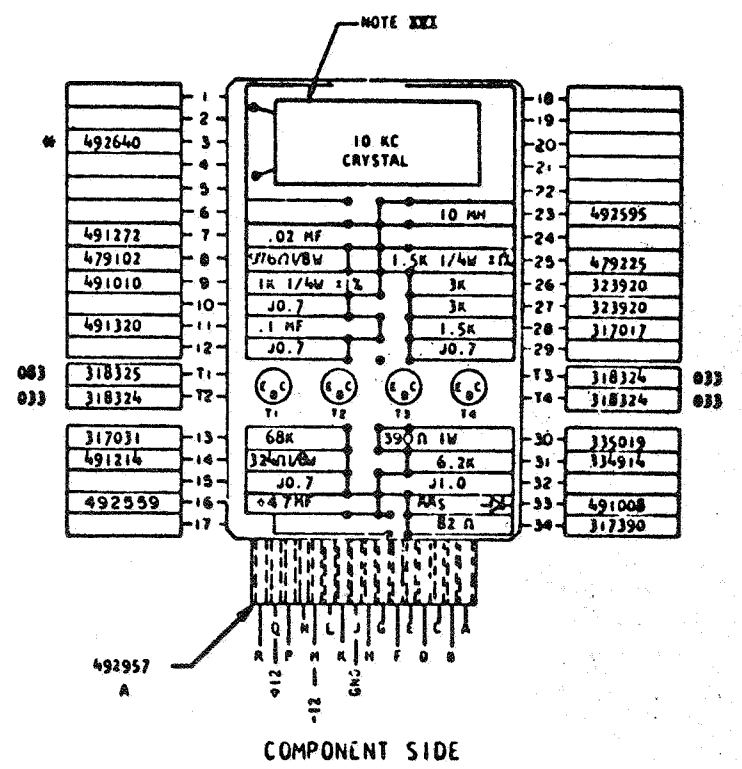
REFERENCE DRAWING
SEE PRODUCTION DRAWING 371245

CTRL-OSCILLATOR, 10 KC FREE RUNNING (CRYSTAL)



SEQUENCE OF OPERATION
1. WHEN POWER IS UP, OSCILLATOR TURNS ON

PINS	SIGNAL NAME	WAVE SHAPE	LEVELS		
			MIN	MAX	
B	S	OUTPUT	UP	0	-0.2
			DOWN	-11.8	-12.12



CIRCUIT AND PACKAGING STANDARD

APPROVAL	DATE
ABC	4-2-62

INTERNATIONAL BUSINESS MACHINES CORP.				DATE	CHANGE NO	APPROVAL	DATE	CHANGE NO	APPROVAL	DEVELOPMENT NO
NAME	CARD ASM ISTR - CTRL OSC	DATE	3-7-62	115599						
	10KC FREE RUNNING CRYSTAL	DATE	8-28-63	117802						
DESIGN	RQ	3-1-62	SCALE	NONE						
CHECK	MM	3-1-62	DRAW	LIG	3-1-62					
APPRO			CHECK							

C