

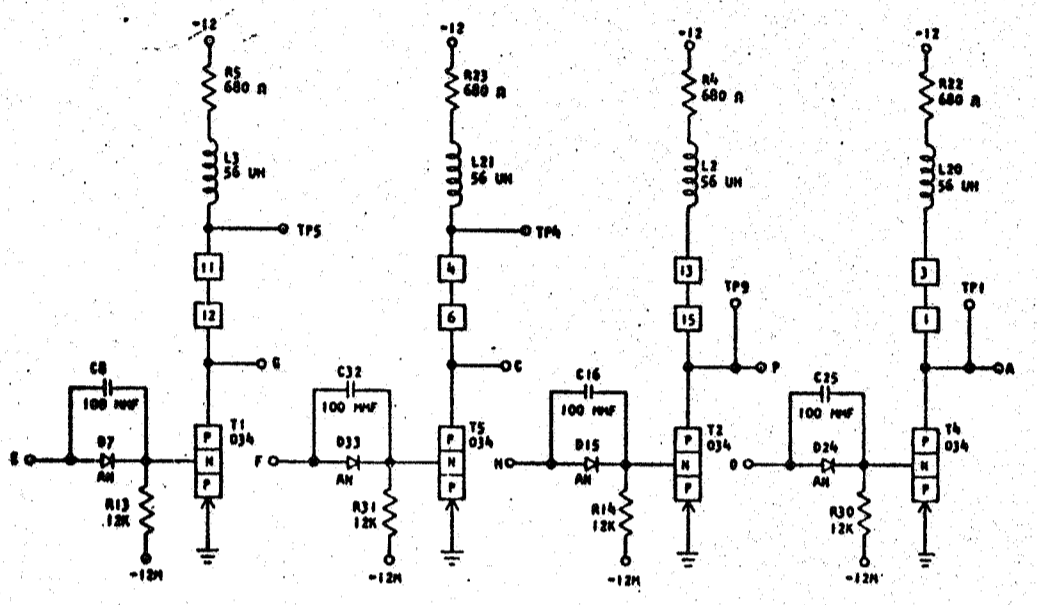
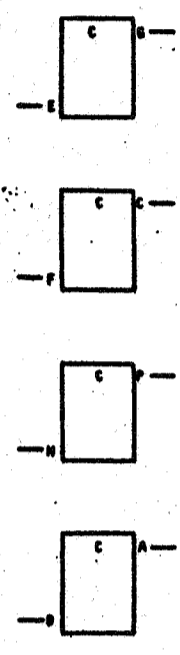
729867

STANDARD CODE

CARD CODE 729867
JF VP

REFERENCE DRAWING
SEE PRODUCTION DRAWING 371576

CTDL HIGH SPEED ONE WAY PNP ALL LOADS



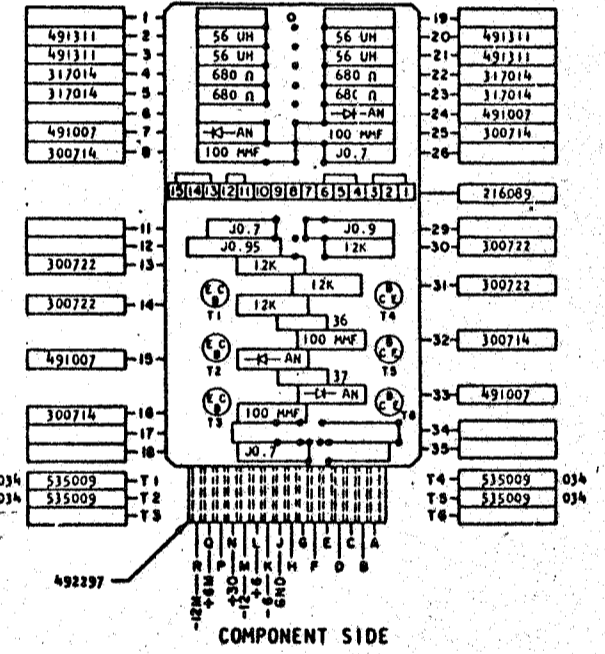
SEQUENCE OF OPERATION

1. WHEN THE INPUT IS UP, THE TRANSISTOR IS OFF, THE OUTPUT IS DOWN
2. WHEN THE INPUT IS DOWN, THE TRANSISTOR IS ON, THE OUTPUT IS UP
3. LOGIC BLOCKS MAY HAVE SYMBOLS OTHER THAN SHOWN.

PINS	SIGNAL NAME	WAVE SHAPE	LEVELS	
			MIN	MAX
E, F, H, D	T	INPUT	UP	1.44 6.24
			DOWN	-7.4 -6.24
G, C, P, A	U	OUTPUT	UP	-5.4 .24
			DOWN	-7.44 -12.48

DELAY - USEC

	MINIMUM	MAXIMUM
TURN ON	0.05	0.25
TURN OFF	0.10	0.40



CIRCUIT AND PACKAGING STANDARD

APPROVAL	DATE
ABC	4-2-62

INTERNATIONAL BUSINESS MACHINES CORP.		DATE	CHANGE NO.	APPROVAL	DATE	CHANGE NO.	APPROVAL	DEVELOPMENT NO.
NAME CARD ASM TSTR-CTDL HIGH SPEED ONE WAY PNP ALL LOADS		6-29-62	EC115599					
DESIGN		30-4-63	JTB3687					
DETAIL	RQ 3-1-62	SCALE	NONE					
CHECK	WH 3-1-62	DRAW	LIG 3-17-62					
APPRO		CHECK						

729867