

370985
 STANDARD CODE
 CARD CODE JJ **
 2-7045

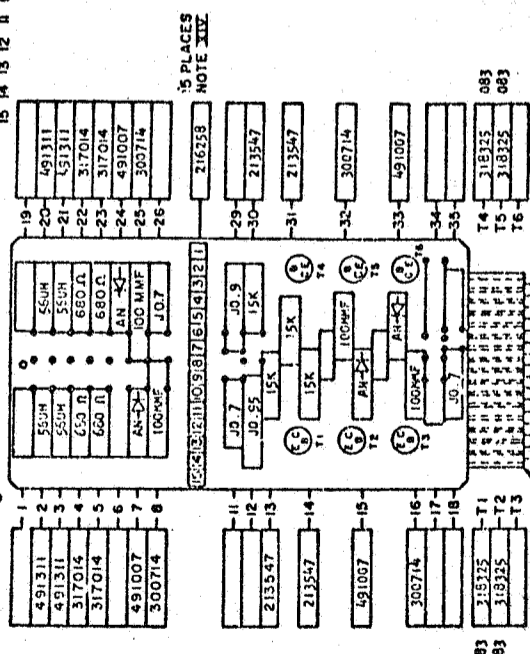
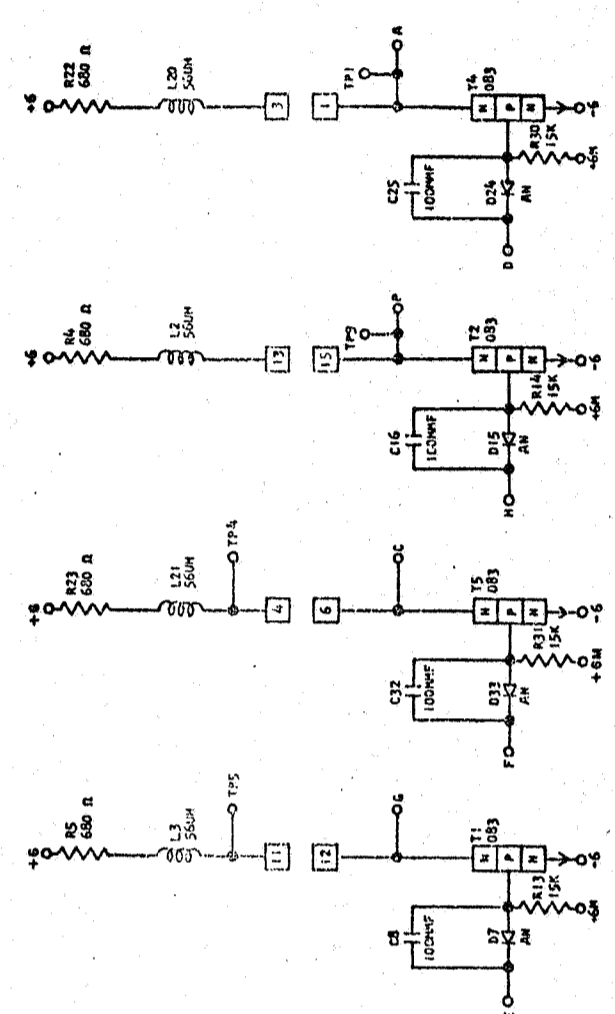
CTDL HIGH SPEED ONE WAY NPN
 FIELD REPLACEMENT

DISCONTINUED

CAP CONFIGURATION

CAP. ASM NO. TEST CODE	15	14	13	12	11	10	9	8	7	6	5	4	3	2	1
CTDL HIGH SPEED 1 WAY NPN-ALL LOADS	0	0	0	0	0	0	0	0	0	0	0	0	0	0	0
CTDL HIGH SPEED 1 WAY NPN-2 LOADS	0	0	0	0	0	0	0	0	0	0	0	0	0	0	0
CTDL HIGH SPEED 1 WAY NPN-ONE LOAD	0	0	0	0	0	0	0	0	0	0	0	0	0	0	0
CTDL HIGH SPEED 1 WAY NPN-NO LOAD	0	0	0	0	0	0	0	0	0	0	0	0	0	0	0

CIRCUIT NAME	CAP. ASM NO.	TEST CODE
CTDL HIGH SPEED 1 WAY NPN-ALL LOADS	VP	371587 891576
CTDL HIGH SPEED 1 WAY NPN-2 LOADS	YN	371588 891576
CTDL HIGH SPEED 1 WAY NPN-ONE LOAD	VA	371589 891576
CTDL HIGH SPEED 1 WAY NPN-NO LOAD	-	371590 891576



NOTES
 I CIRCUIT MUST CONFORM TO ENGINEERING SPECIFICATION 891576
 II ASSEMBLE TO ENGINEERING SPECIFICATION
 III ALL RESISTORS ARE 1/2 WATT AND 5%
 IV OTHERS ARE TO BE SPECIFIED
 V IN BLOCK LETTERS
 VI 491007 IS A 100MNF CAPACITOR
 VII REFERENCE - 216258 MALE CONTACT STRIP TO BE USED AS REQUIRED TO PROGRAM DESIRED CAP CODE

INTERNATIONAL BUSINESS MACHINES CORP.	DATE	CHANGE NO.	APPROVAL	DATE	CHANGE NO.	APPROVAL	DEVELOPMENT NO.
NAME: CARD ASM TEST - CTDL	8-24-68	155642					370985
DESIGNER: J. W. B.	9-24-68	110084					X0663
TESTER: J. W. B.	12-1-68	110517					

492503
 DPD CIRCUIT & PACKAGES STANDARD
 APPROVAL: [Signature]
 DATE: 2-6-60